

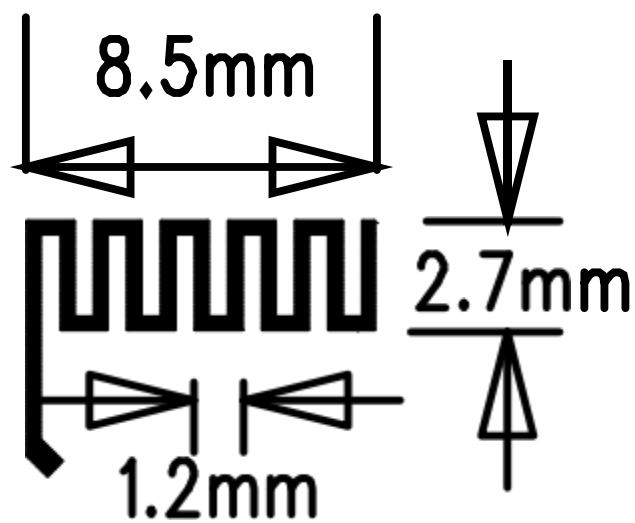
ANTENNA SPECIFICATION

Specifications

Summary

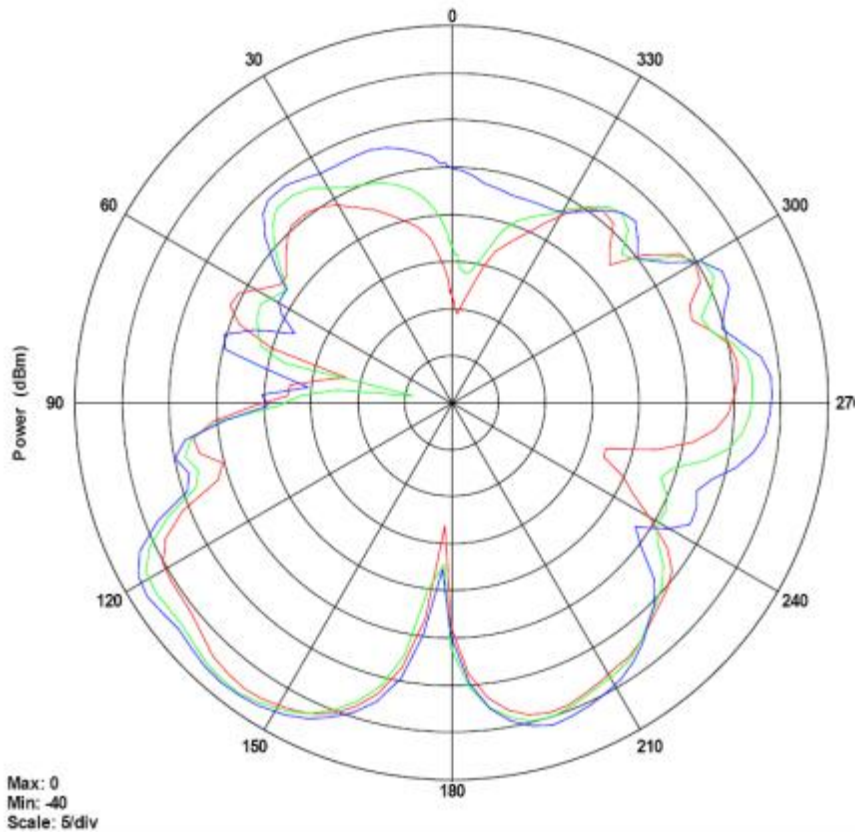
ITEM	SPEC.					
Model Name						
Center Frequency	Horizontal			Vertical		
	2405MHz	2441MHz	2475MHz	2405MHz	2441MHz	2475Hz
	-2.64	-1.89	-1.66	-7.09	-4.70	-3.15
MAX. Gain	-1.66					
Polarization	Horizontal and Vertical					
Azimuth Beam Pattern	Omni-directional					
Impedance	50 Ohm					
Antenna Length	32mm					
Manufacture	COMPX Semiconductor Corp					

Antenna Photo & Length (mm)



Horizontal:

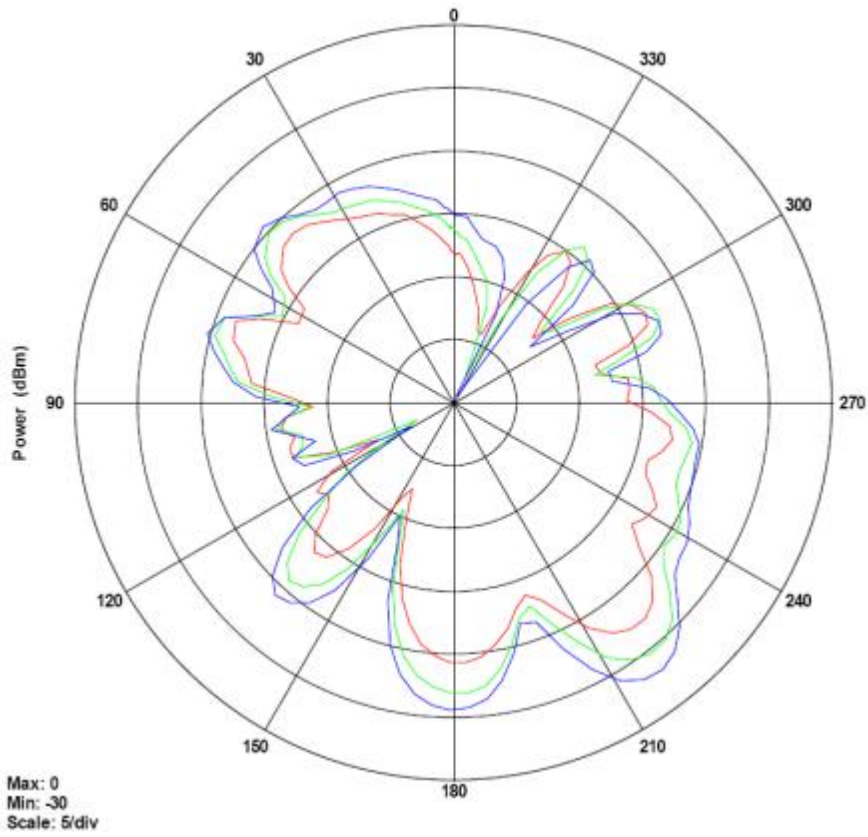
2405MHz 2441MHz 2475MHz



Frequency (MHz)	Gain (dBi)		
	Max.	Min.	Avg.
2405	-2.64776	-30.6718	-9.77028
2441	- 1.89964	-35.918	-8.87095
2475	- 1.66516	-24.7457	-7.99065

Vertical:

2405MHz 2441MHz 2475MHz



Frequency (MHz)	Gain(dBi)		
	Max.	Min.	Avg.
2405	-7.09317	-24.1891	- 13.5194
2441	-4.7048	-27.8246	- 11.666
2475	-3.1576	-29.4867	- 10.5684