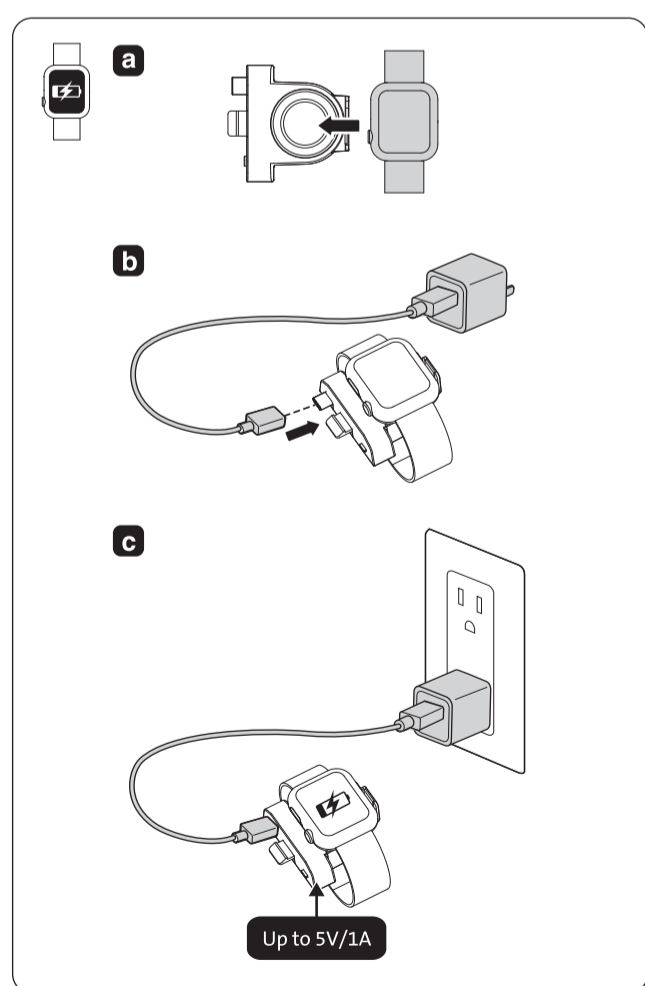
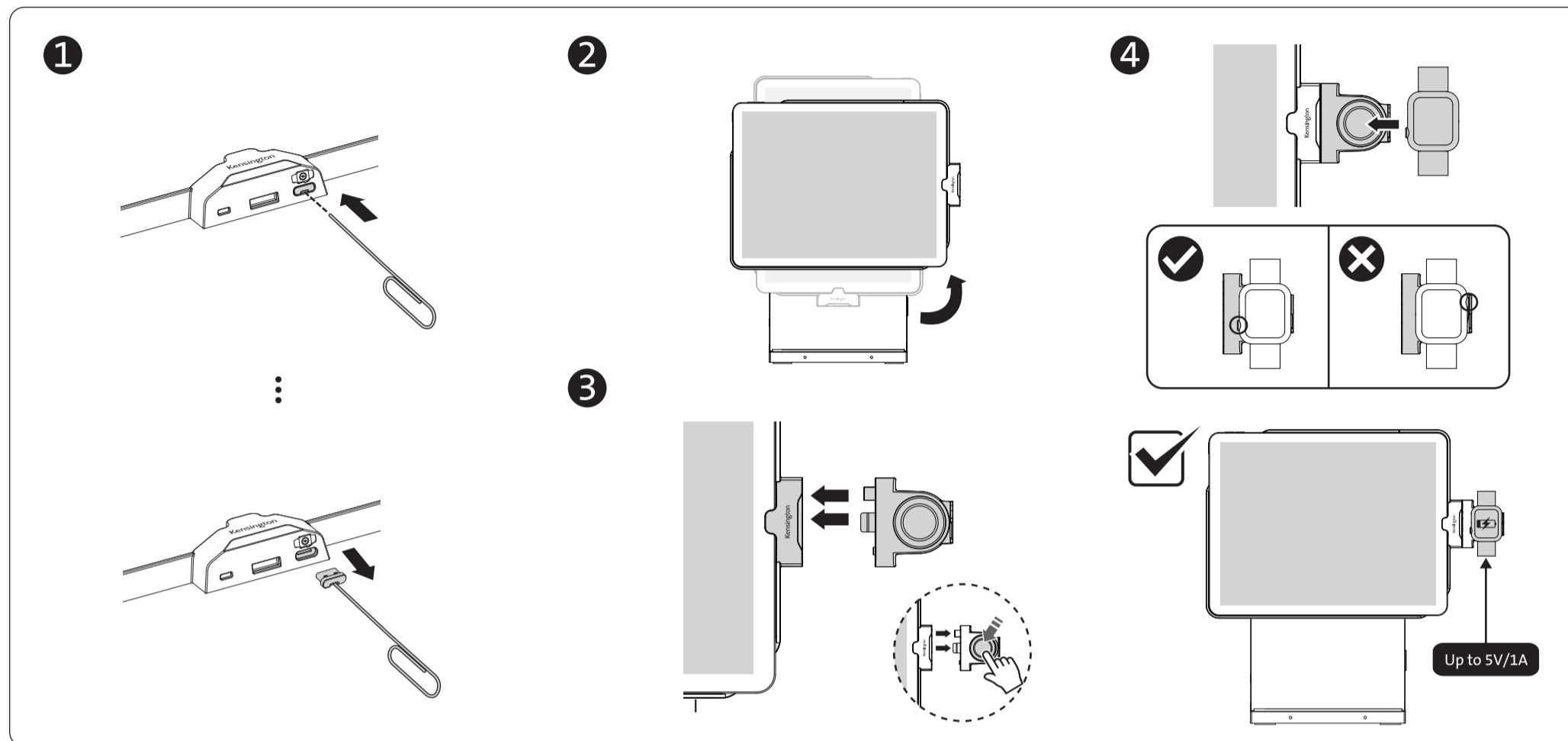


K34032WW__ Watch Charger for StudioDock™_IG
 Folded size: 95 mm X 140 mm
 Trim size: 285 mm X 140 mm



Kensington and the ACCO name and design are registered trademarks of ACCO Brands. All other registered and unregistered trademarks are the property of their respective owners. Apple Watch, iPad Pro, AirPods, and iPhone are trademarks of Apple Inc., registered in the U.S. and other countries.
 ©2020 Kensington Computer Products Group, a division of ACCO Brands. Any unauthorized copying, duplicating, or other reproduction of the contents hereof is prohibited without written consent from Kensington Computer Products Group. All rights reserved. 12/20



Kensington Computer Products Group A Division of ACCO Brands 3100 Fashion Island Blvd, 3rd Floor San Mateo, CA 94404, USA		
Importer: ACCO UK Ltd. Oxford House, Oxford Road Aylesbury, Buckinghamshire, HP21 8SZ United Kingdom	ACCO Brands Canada Inc 7381 Bramalea Rd Mississauga, ON L5S 1C4 https://accobrandscanada.com/	ACCO Brands Australia - Kensington 2 Coronation Avenue Kings Park NSW 2148 Australia
Importer: LBIZ ACCO Brands GmbH & Co KG Siemensstraße 64 70469 Stuttgart Germany	Importado e Distribuído por: TÁlora Produtos De Papelaria Ltda. CNPJ: 44.990.901/0001-43 Rua Aymorés, 6-9 – Bauru/SP – Brasil CEP: 13.013-900 sac@tlorapapelaria.com.br	Dystrybutor: Eselle Polska Sp. z o.o., ul. Przemysłowa 11A, 26-900 Koźnice
ACCO Brands Chile S.A., Avda. Presidente Bascos # 5711, oficina 201 Las Condes, Santiago, Chile CP 7561134 www.accobrands.cl	Distributor: Eselle Sales SRL Georgehe Țițeica 121C, Sector 2, București, România	Distributor: Eselle, s.r.o., V Lužič 818, 142 00 Praha 4, Česká republika
Forgalmazza: Eselle Kft, Váci út 76. V. torony 1. emelet, 1133 Budapest, Magyarország	дистрибутор: Eselle Polska Sp. z o.o., ul. Przemysłowa 11A, 26-900 Koźnice Импортер/дистрибутор: "АБДИ Компани" АК, Алматы қ., Сейфуллин даңы: 465/191	Дистрибутор: Eselle, s.r.o., V Lužič 818, 142 00 Praha 4, Česká republika
Импортер: ООО «Эсселет», Россия, 125040, Москва, 3-я улица Ямского рынка, д.18, тел. +7(495)933-27-63	アコブランドジャパン株式会社 〒164-8721 東京都中野区本町1-32-2 ハーモニータワー14F https://www.kensington.com/ja-jp E-MAIL: JP.Kensington@accoco.com	广州市登理贸易有限公司 广州市天河区林和西路159号 中泰国际北塔5楼 501/701室 邮编: 510620 电话: 400 600 4599 网址: http://www.kensington.com/zh-CN 邮箱: info@kensington.com

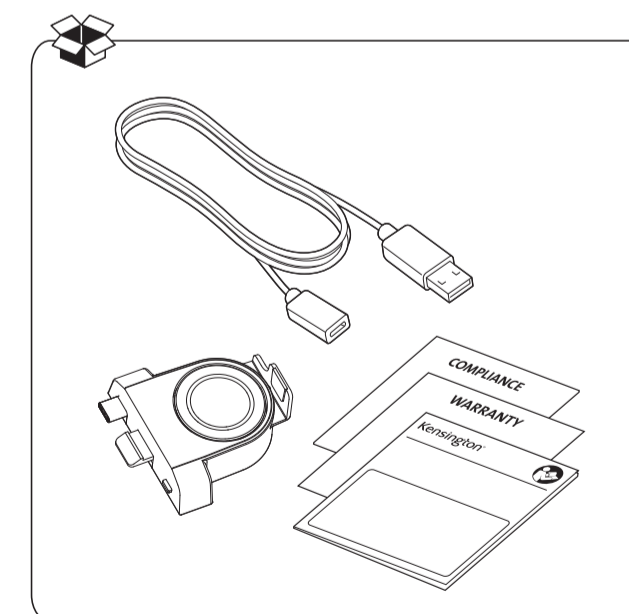
K34032WW

901-7280-00

Kensington®



Watch Charger for StudioDock™
 M/N : M01552



 [kensington.com/register](https://www.kensington.com/register)