

1 2 3 4 5 6 7

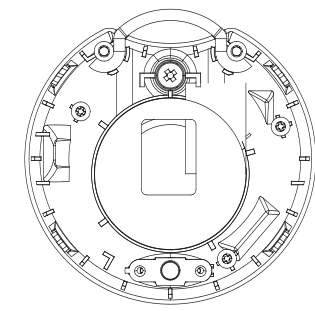
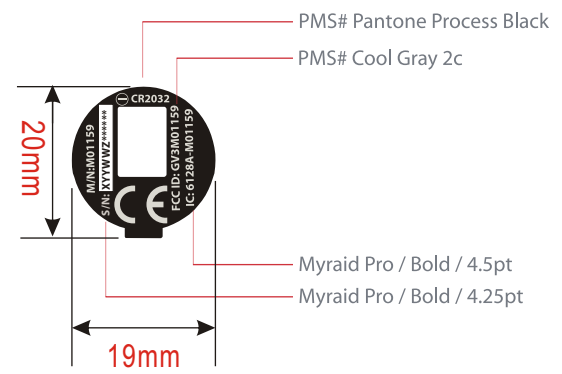
REV. 更改	DESCRIPTION 說明	ENG. 修改人	APPROVAL 審核

A

Bungee Tag (Eureka)

A

B



B

C

304008825010

C

NOTE:

- MATERIAL: 50#PET 白亮覆啞膜
- Date Code Format : XXXWWZ*****
Where X = Revision Level of BOM (Now it is 'A')
YY = Year of Manufacture(2012=12,2013=13,2014=14...)
WW = Week of Manufacture(01~53)
Z = Production Location (Where Z = A for Dongguan)
***** = Six Digit Serial Number(按不同 PO 從 000001 開始)

- Product Must Be Halogen Free
Requirement of PRIMAX Green Part:
 - Comply with PRIMAX QW-5Q002"Green Product Chemical Substances Specification".
 - Follow customer's specification as required.
 - Follow Halogen- Free requirement : Br<900 ppm, Cl<900 ppm, Br+Cl< 1500 ppm if required

D

D

<small>THESE DRAWING AND SPECIFICATIONS ARE THE PROPERTY OF PRIMAX ELECTRONICS LTD. AND SHALL NOT BE REPRODUCED COPIED OR USED IN ANY MANNER WITHOUT THE PRIOR WRITTEN CONSENT OF PRIMAX ELECTRONICS LTD.</small>		PRIMAX ® 東聚電子電訊制品有限公司 PRIMAX ELECTRONICS LTD.	
<small>UNLESS OTHERWISE SPECIFIED: DIMENSIONS ARE IN MILLIMETERS ANGULAR TOLERANCES 1:0</small>		USED 用途 Bungee	APPD. 審核 Sunger Lee
DIMENSIONS 6.00 TO 30.00mm ±0.10mm	TOLERANCE ±0.10mm	FINISH 處理	CHKD. 校對 Hongming Hu
30.01 TO 80.00mm ±0.13mm	±0.13mm	SCALE 比例 /	DR. 製圖 Quanyu Chang 2012/11/01
80.01 TO 150.00mm ±0.15mm	±0.15mm	UNIT 單位 mm	2012/11/01
150.01 ↑ ±0.20mm	±0.20mm	TITLE 名稱 Bottom label	
MATERIAL 材質 SEE NOTE 1		DWG NO. 圖號 304000XXXXXX	SIZE 圖紙 A4
FILE NAME 檔案名稱 304000XX000V06.PDF		SHEET 張 1/1	REV. 更改 0.6

E

T-RR024 REVISED JAN. 95" BY THOMAS HSU

1 2 3 4 5 6 7 THIS DRAWING MAY BE USED IN WHOLE OR PART