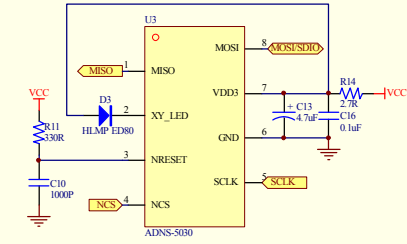
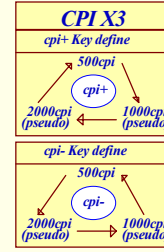
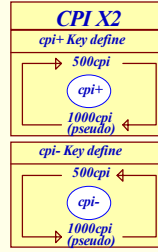
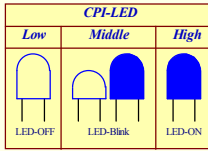
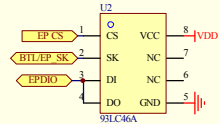
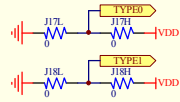
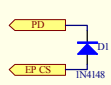
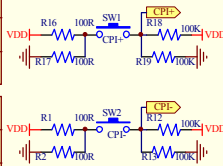


TYPE1 (Pin3)	TYPE0 (Pin4)	J17L(0)	J17H(1)
J18L(0)			
J18H(1)		-90	180



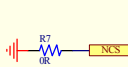
Cpi select(Cpi+)	
Cpi X2	0 R19=100K,R16=100R R18=R17=Open
Cpi X3	1 R19=R16=Open R18=100K,R17=100R

Receiver select(Cpi-)	
MA6301	0 R1=100R,R13=100K R2=R12=Open
MA615E	1 R1=R13=Open R2=100R,R12=100K

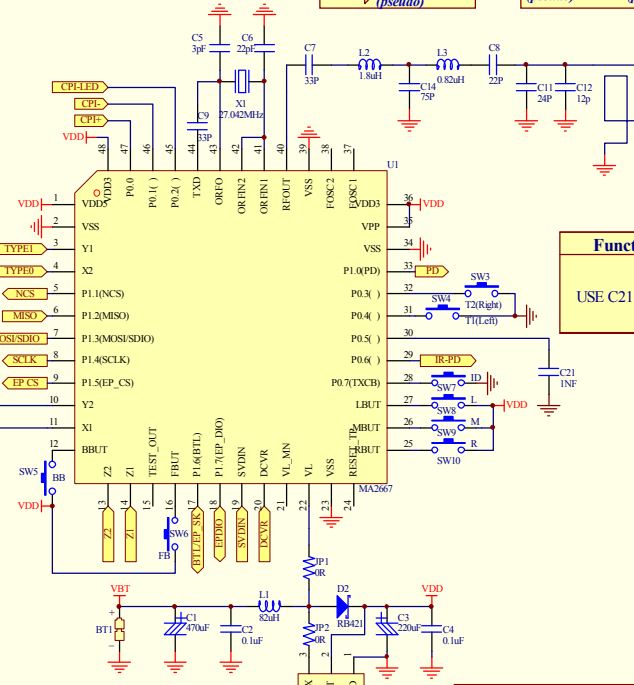
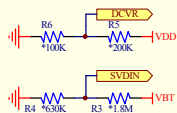


D1	Key Define
Open	CPI + CPI +Tih(T2+T1)
Short	F1+F2+Tih(T2+T1)

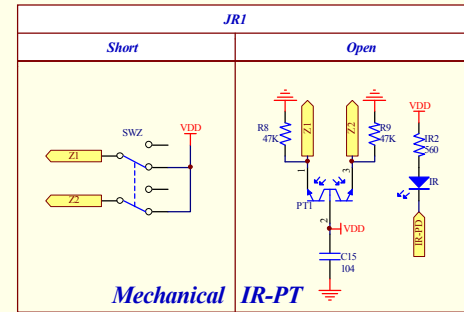
Y2 (Pin 10)	X1 (Pin 11)	Cpi X2 Default	Y2 (Pin 10)	X1 (Pin 11)	Cpi X3 Default
0	0	2000 (Pseudo)	0	0	2000 (Pseudo)
JR2=Open	JR5=Open		JR2=Open	JR5=Open	
JR3=Short	JR6=Short		JR3=Short	JR6=Short	
0	1	1000 (Pseudo)	0	1	1000 (Pseudo)
JR2=Open	JR5=Short		JR2=Open	JR5=Short	
JR3=Short	JR6=Open		JR3=Short	JR6=Open	
1	0	500 (Real)	1	0	500 (Real)
JR2=Short	JR5=Open		JR2=Short	JR5=Open	
JR3=Open	JR6=Short		JR3=Open	JR6=Short	
1	1	1000 (Pseudo)	1	1	1000 (Pseudo)
JR2=Short	JR5=Short		JR2=Short	JR5=Short	
JR3=Open	JR6=Open		JR3=Open	JR6=Open	



R7	Key Define
Open	SP13 Line (MISO/MSPCLK)
Short	SP13 Line (SDIO/SCLK)



Function Define	
USE C21	1.SLEEP/8 minute
	2.Power OFF/ON (M KEY + ID KEY)



Internal DC/DC	Have JP1,R5,R6 No U5,JP2
External DC/DC	Have U5,JP2,R5 No R6,JP1

Title	MA2667 For ADNS5030(1CH)	
	NEWMEN.TEC corp.	Rev:000
Date:	05-July-2007	Drawn By: T.Y