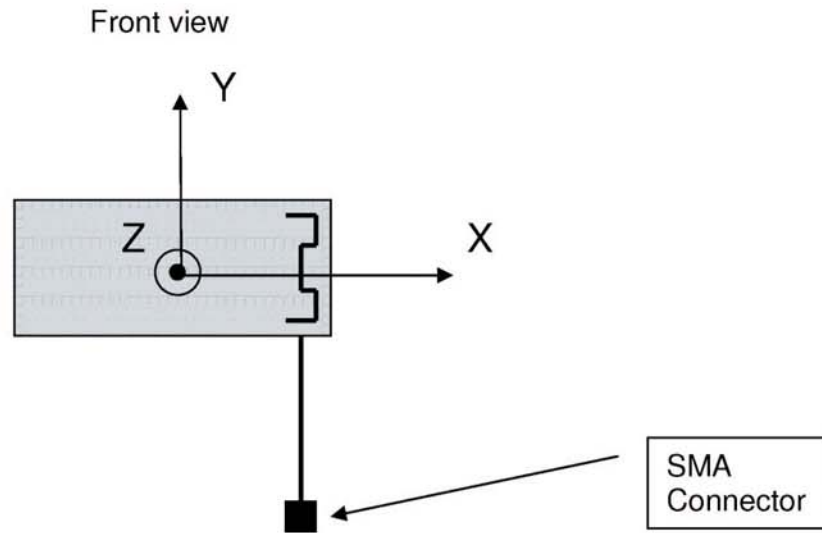
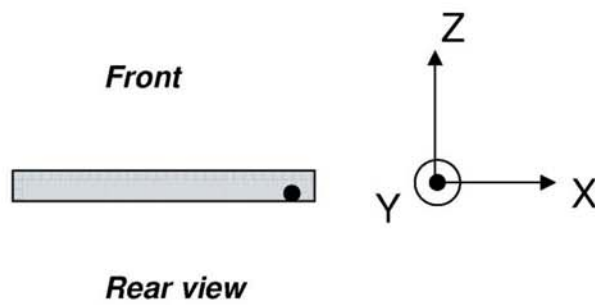

	Document No. IM-CPE04-1304-001	
	Date Issued: 2005.1.28	Revision: 1.0
Antenna Pattern of Class 2 Bluetooth USB Dongle		
Approved by: Bryan Lee	Prepared by: C.F Liu/ Bryan Lee	
Department : Wireless Communication Department, CPE R&D Division		

1. Coordinate System Reference:

Top View:

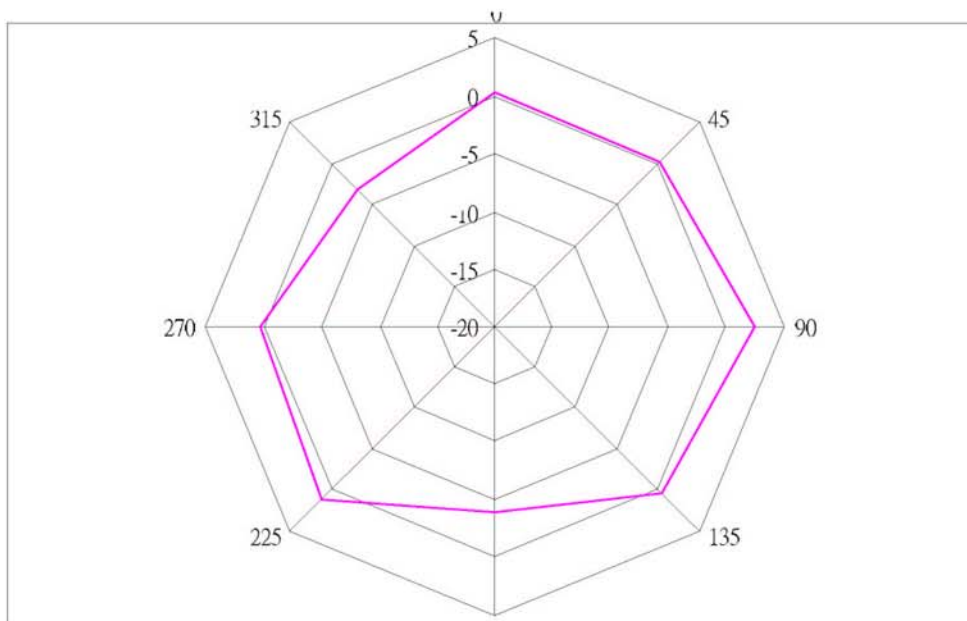


Side View:



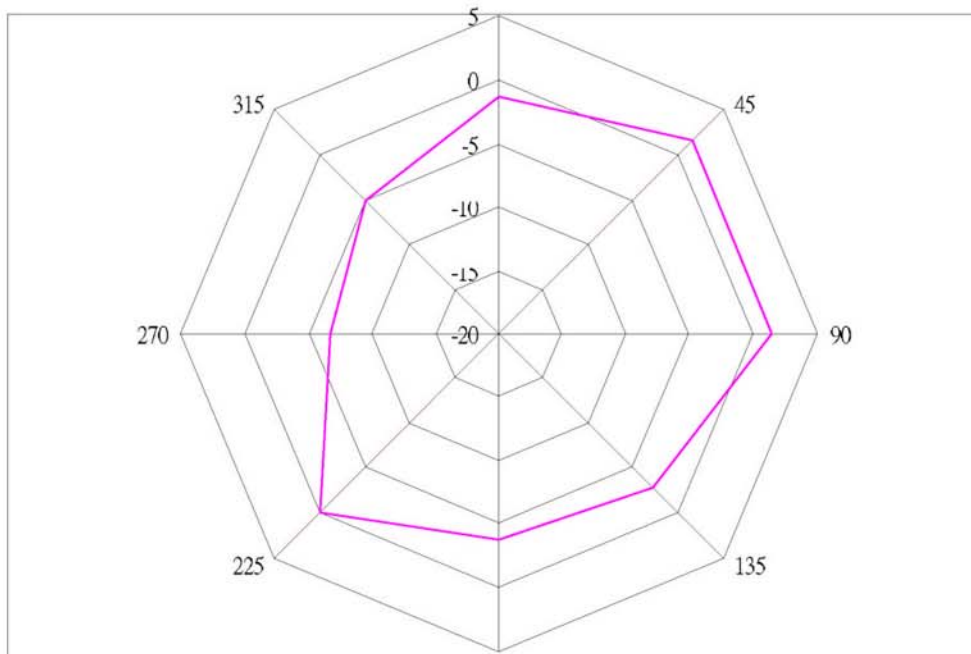
2. Radiation pattern: XZ Plane

Degree	XZ
0	0.3
45	0.3
90	2.5
135	0.4
180	-4
225	1.2
270	0.3
315	-3.2



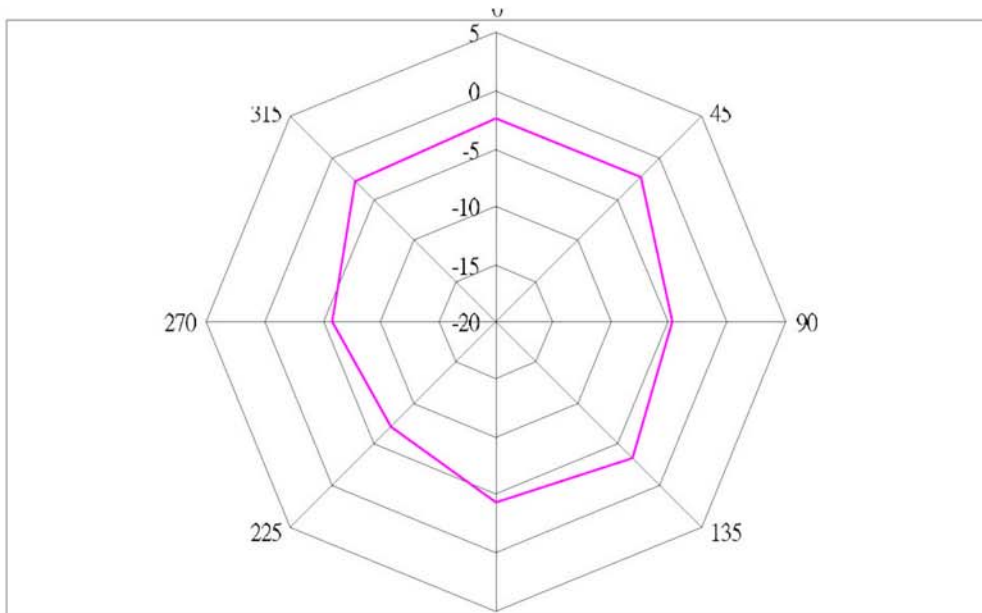
3. Radiation pattern: XY Plane

Degree	XY
0	-1.4
45	-1.7
90	1.4
135	-2.9
180	-3.9
225	-0.2
270	-0.1
315	-5.3



4. Radiation pattern: YZ Plane

Degree	YZ
0	-2.5
45	-2.5
90	-4.7
135	-3.4
180	-4.5
225	-7.1
270	-5.9
315	-2.8



5. Antenna gain:

Antenna gain(天線增益) is 2.5 dBi and it is found at 90deg of the XY plane.

