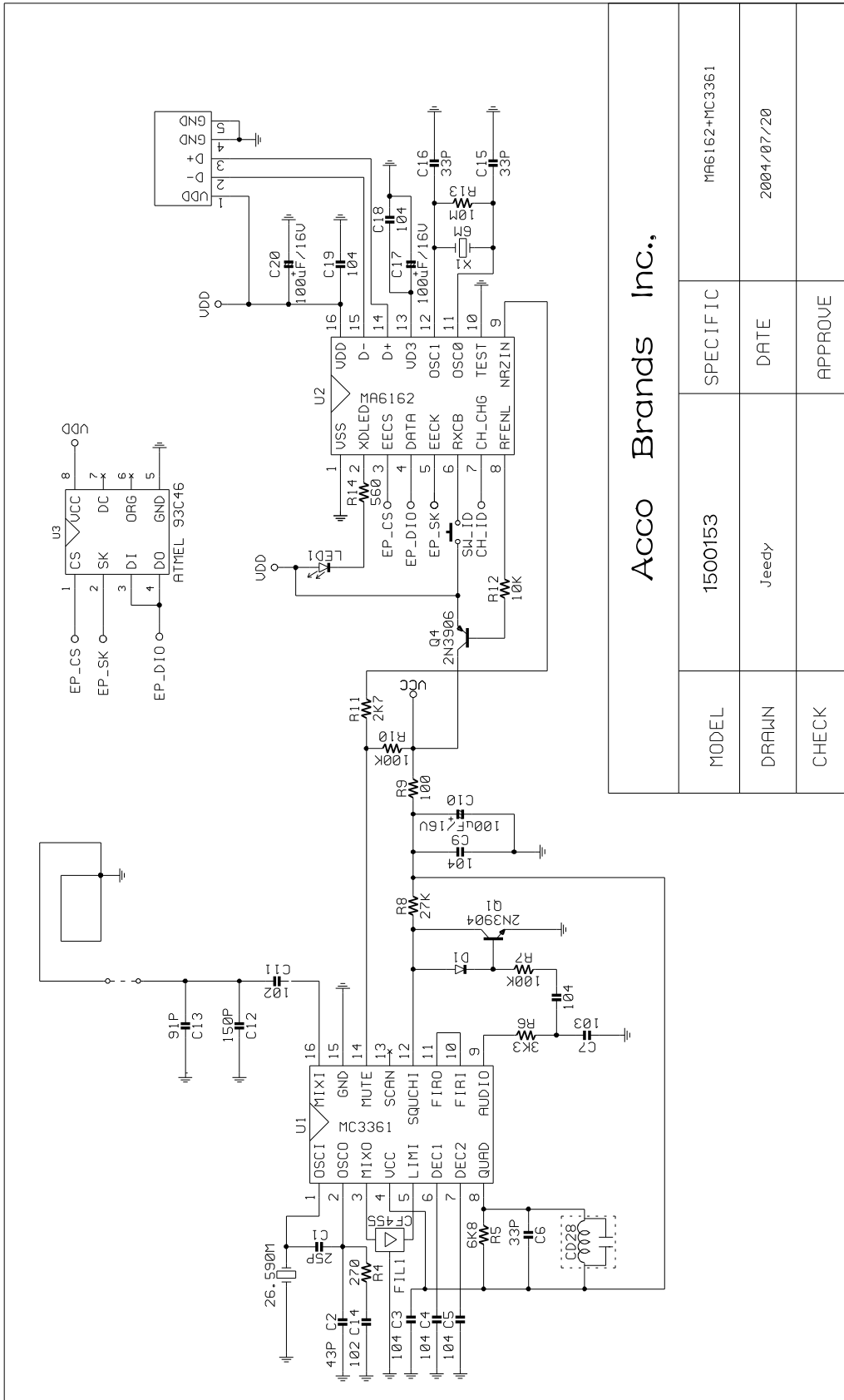


<b>Acco Brands Inc.</b>		
MODEL	1500153	SPECIFIC
DRAWN	JEEDEY	DATE
CHECK		APPROVE
		2004/08/16
		MA6223+A2030



Acco Brands Inc.,

MODEL	1500153	SPECIFIC	MA6162+MC3361
DRAWN	Jeedy	DATE	2004/07/20
CHECK		APPROVE	