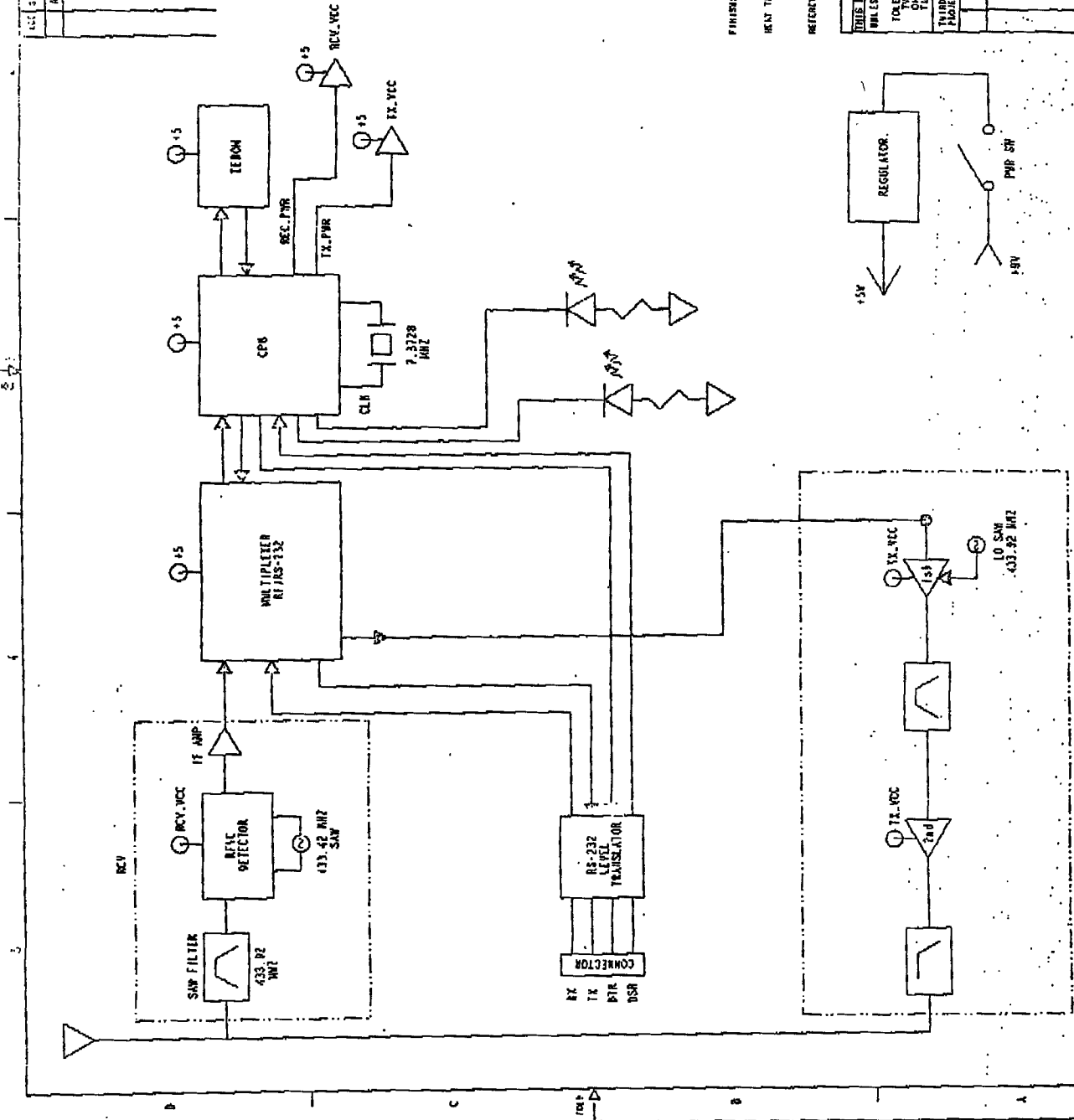


ACC. SH.	DATE	BY
AA RELEASED	9-28-99	RR SP

NSN 7540-01-280-5500

METRIC



FINISH:
NEXT TRAC:
REFERENCE:

UNLESS OTHERWISE SPECIFIED, DIMENSIONS ARE IN MILLIMETERS
THIS DRAWING PRACTICES II ACCORDANCE WITH ASH1 (I.S.S.)
CLASSIFICATION OF CHARACTERISTICS

TOLERANCES UNLESS OTHERWISE SPECIFIED:
DIMENSIONS ± 0.25
ANGLES ± 0.40
HOLE DIMENSIONS ± 0.10
HOLE LOCATIONS ± 0.10

PROE
NO NOT SCALE
THIS DRAWING

REV	DESCRIPTION	DATE	BY
1	ISSUED FOR PRODUCTION	3-1-99	RR
2	REVISED	2-28-99	RR
3	REVISED	2-28-99	RR

TITLE: BLOCK DIAGRAM - WANDERER II
 MATERIAL: MONARCH
 DRAWN BY: R. NICE
 CHECKED BY: T. TIERCHER
 DATE: 3-1-99
 DATE: 2-28-99
 DATE: 2-28-99
 DESIGNED BY: T. TIERCHER
 DATE: 2-28-99
 PART NUMBER: 77480
 DRAWING NUMBER: 119795 (AA)

THIS DRAWING IS THE PROPERTY OF MONARCH ELECTRONICS, INC. IT SHALL BE RETURNED TO MONARCH ELECTRONICS, INC. IMMEDIATELY UPON REQUEST. IT SHALL NOT BE REPRODUCED, COPIED, OR TRANSMITTED IN ANY FORM OR BY ANY MEANS, WITHOUT THE WRITTEN PERMISSION OF MONARCH ELECTRONICS, INC.