



The Smart Way to Manage Your Restaurant Operations

Thermal Printer

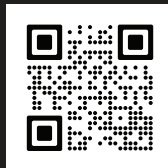
GoLabel is a wireless label printer designed to work with a tablet running GoOps or SubOps.

GoLabel simplifies your food prepping and labeling procedures. This Quick Start Guide will help you familiarize yourself with GoLabel before you get started.



SKIP THE GUIDE AND WATCH OUR "QUICK START" VIDEO!

Watch our "Quick Start" video by scanning the QR code or visiting www.zippyum.com/golabelsetup



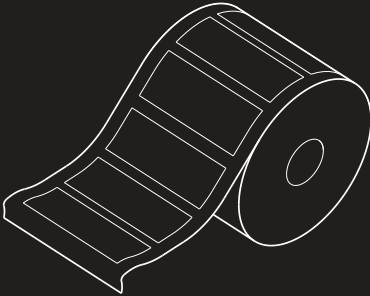
(888) 636-7557

support@zippyum.com

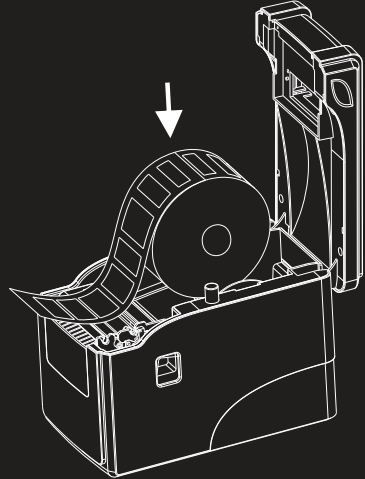
www.zippyum.com

SETUP

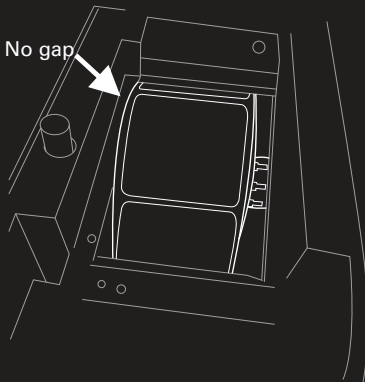
- 1 Open GoLabel's cover and remove any packaging material and the labels from inside. If the first label has tape on it, remove the tape.



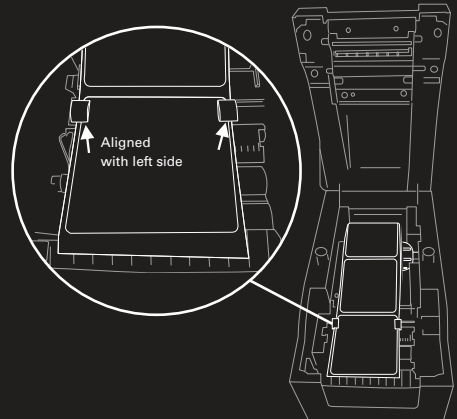
- 2 Place the roll of labels directly into the printer so the labels feed from the top.



- 3 Push the roll of labels to the left so the left side of the roll is flush with the left side of the printer.

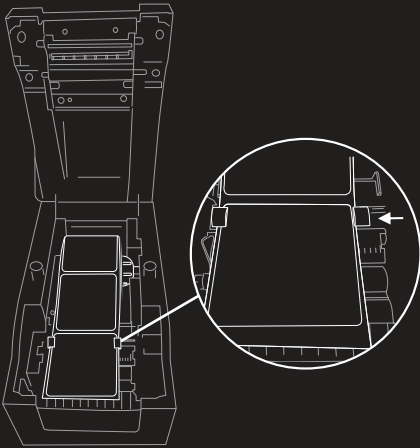


- 4 Feed the first label through the label feed guides, making sure the labels are aligned on the left side of the printer.

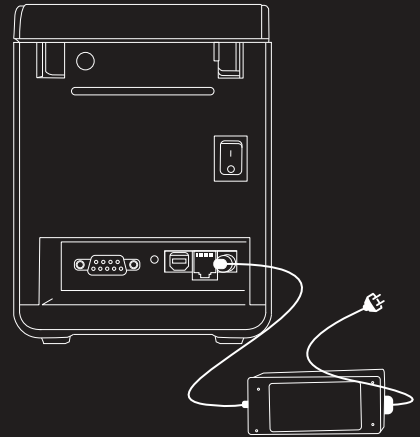


SETUP

- 5 If the label is loose in the feed guides, ensure the label feed guides are adjusted to the width of the label by moving the right guide, keeping the left edge of the labels aligned with the left side of the printer.



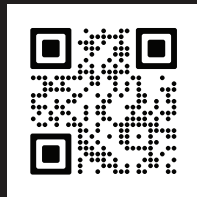
- 6 Feed the first label through so it is slightly sticking out of the printer. Then close, plug in, and turn on your GoLabel.



- 7 Download and install the GoOps or SubOps app on a compatible tablet.



GOOPS



SUBOPS

- 8 Enter your credentials, log into the app, and follow the on-screen Quick Start Guide to pair your GoLabel and set up the app.

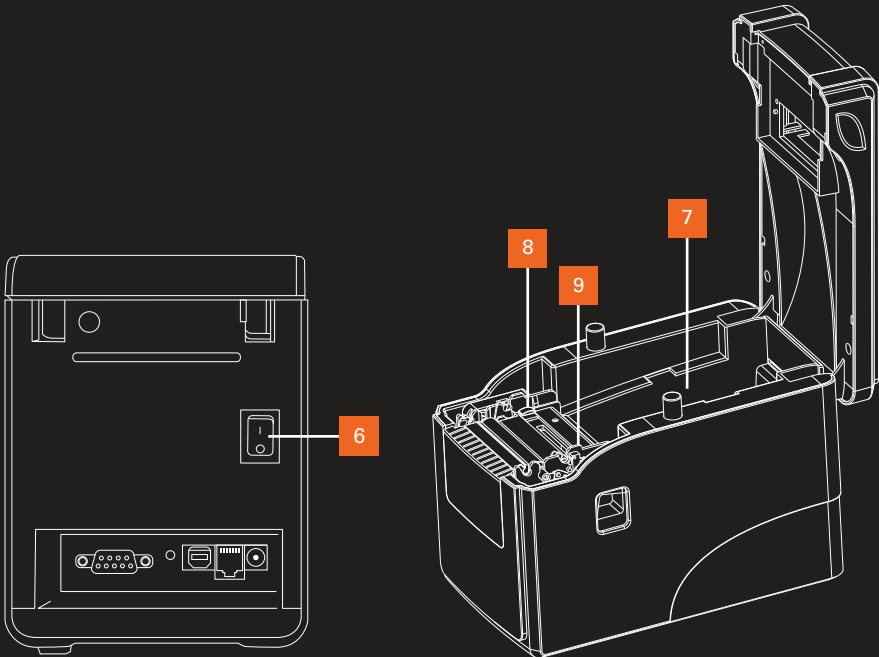
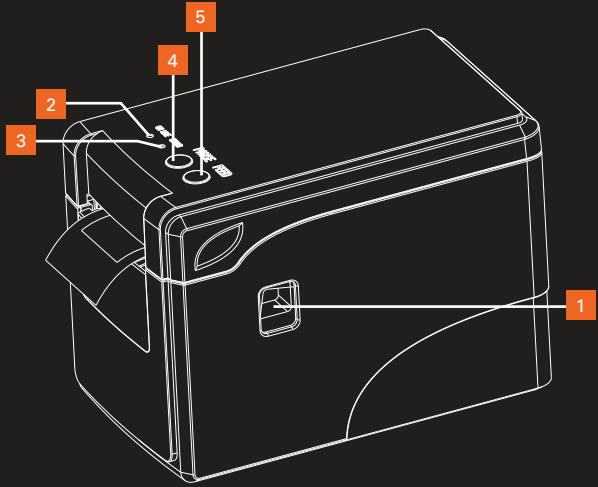
If you've registered, sign in using your credentials

Restaurant#

Password

GETTING TO KNOW YOUR GOLABEL HARDWARE

- 1 Cover Release Button
- 2 Connection Indicator
- 3 Error Indicator
- 4 Pause Button
- 5 Feed Button
- 6 Power Button
- 7 Label Roll Bucket
- 8 Left Feed Guide
- 9 Right Feed Guide



FCC Statement

This equipment has been tested and found to comply with the limits for a Class B digital device, pursuant to part 15 of the FCC Rules. These limits are designed to provide reasonable protection against harmful interference in a residential installation. This equipment generates, uses and can radiate radio frequency energy and, if not installed and used in accordance with the instructions, may cause harmful interference to radio communications. However, there is no guarantee that interference will not occur in a particular installation. If this equipment does cause harmful interference to radio or television reception, which can be determined by turning the equipment off and on, the user is encouraged to try to correct the interference by one or more of the following measures:

- Reorient or relocate the receiving antenna.
- Increase the separation between the equipment and receiver.
- Connect the equipment into an outlet on a circuit different from that to which the receiver is connected.
- Consult the dealer or an experienced radio/TV technician for help.

Caution: Any changes or modifications to this device not explicitly approved by manufacturer could void your authority to operate this equipment.

This device complies with part 15 of the FCC Rules. Operation is subject to the following two conditions: (1) This device may not cause harmful interference, and (2) this device must accept any interference received, including interference that may cause undesired operation.

RF Exposure Information

This equipment complies with FCC radiation exposure limits set forth for an uncontrolled environment. This equipment should be installed and operated with minimum distance 20cm between the radiator and your body.

ISED Statement:

- English: This device complies with Industry Canada license - exempt RSS standard (s). Operation is subject to the following two conditions: (1) This device may not cause interference, and (2) This device must accept any interference, including interference that may cause undesired operation of the device.

The digital apparatus complies with Canadian CAN ICES-3 (B)/NMB-3(B).

- French: Le présent appareil est conforme aux CNR d'Industrie Canada applicables aux appareils radio exempts de licence. L'exploitation est autorisée aux deux conditions suivantes: (1) l'appareil ne doit pas produire de brouillage, et (2) l'utilisateur de l'appareil doit accepter tout brouillage radioélectrique subi, même si le brouillage est susceptible d'en compromettre le fonctionnement.

L'appareil numérique du CIEM conforme canadien peut - 3 (b) / nmb - 3 (b).

This device meets the exemption from the routine evaluation limits in section 2.5 of RSS 102 and compliance with RSS 102 RF exposure, users can obtain Canadian information on RF exposure and compliance.

Cet appareil est conforme à l'exemption des limites d'évaluation courante dans la section 2.5 du CNR - 102 et conformité avec RSS 102 de l'exposition aux RF, les utilisateurs peuvent obtenir des données canadiennes sur l'exposition aux champs RF et la conformité.

This equipment complies with Canada radiation exposure limits set forth for an uncontrolled environment.

This equipment should be installed and operated with minimum distance 20cm between the radiator & your body.

Cet équipement est conforme Canada limites d'exposition aux radiations dans un environnement non contrôlé.

Cet équipement doit être installé et utilisé avec une distance minimale de 20 cm entre le radiateur et votre corps.

HVIN:GL2120TH

PRINTING LABELS

The number on the printer shows how many labels will be printed. After printing a label(s), the number will turn grey and reset to 1.

Done		Prepping & Printing Labels		John Smith		Count	
PRODUCTS	QUANTITY	CONTAINERS	HOW-TO	PRINT LABEL			
Protein							
Cheese Pepper Jck Slcd	2 Pack (1 lb)	1 1/6 container					
Cheese Swiss Nat SI 32	2 Pack (1 lb)	1 1/6 container					
Chs American White Trngl 400S	1 Pack (5 lbs)	2 1/6 container					
Chs Jck/Ched Shred	1 Bag (2 lbs)	2 1/6 container					
Chs Provolone Slc	2 Pack (1 lb)	1 1/6 container					
Egg Patty Ylw 1 5 oz Fz	6 Pack (1 ct)	1 1/3 container					
Egg Whi Patty 1 5 oz Fz	6 Pack (1 ct)	1 1/3 container					
Toppings							
Glaze Teryaki	N/A	N/A					
Mayo Light	1 Pouch (52 oz)	8 Bottles					

Changing the number in the containers or quantity box will make the icon green again, indicating the new number of labels to print.

This icon indicates the item does not need a printed label. Just tap to mark it as completed.