

SONY®

Bluetooth® Presentation Controller VGP-BRMP10

取扱説明書 / Operating Instructions / Mode d'emploi
Bedienungsanleitung

<http://www.sony.net/>

© 2007 Sony Corporation / Printed in Japan

3-196-908-01 (1)



Printed on 70% or more recycled paper
using VOC (Volatile Organic Compound)-
free vegetable oil based ink.



WARNING

To prevent fire or shock hazard, do not expose the unit to rain or moisture.

Owner's Record

The model number and the serial number are located inside the battery compartment of the mouse. Record the serial number in the space provided below. Refer to this number whenever you call your Sony dealer regarding this product.

Model No. VGP-BRMP10

Serial No. _____

For customers in the U.S.A.

This equipment has been tested and found to comply with the limits for a Class B digital device, pursuant to Part 15 of the FCC Rules. These limits are designed to provide reasonable protection against harmful interference in a residential installation. This equipment generates, uses, and can radiate radio frequency energy and, if not installed and used in accordance with the instructions, may cause harmful interference to radio communications. However, there is no guarantee that interference will not occur in a particular installation. If this equipment does cause harmful interference to radio or television reception, which can be determined by turning the equipment off and on, the user is encouraged to try to correct the interference by one or more of the following measures:

- Reorient or relocate the receiving antenna.
- Increase the separation between the equipment and receiver.
- Connect the equipment into an outlet on a circuit different from that to which the receiver is connected.
- Consult the dealer or an experienced radio/TV technician for help.

You are cautioned that any changes or modifications not expressly approved in this manual could void your authority to operate this equipment.

For questions regarding your product or for the Sony Service Center nearest you, call 1-888-476-6972 in the United States or 1-800-961-7669 in Canada.

This device complies with Part 15 of the FCC Rules. Operation is subject to the following two conditions: (1) This device may not cause harmful interference, and (2) this device must accept any interference received, including interference that may cause undesired operation.

FCC Radiation Exposure Statement:

These products comply with FCC radiation exposure limits set forth for uncontrolled equipment and meet the FCC radio frequency (RF) Exposure Guidelines in Supplement C to OET65. These products have very low levels of RF energy that it is deemed to comply without testing of specific absorption ratio (SAR).

2 GB

For customers in Canada

This Class B digital apparatus complies with Canadian ICES-003.

Operation is subject to the following two conditions: (1) This device may not cause harmful interference, and (2) this device must accept any interference received, including interference that may cause undesired operation of the device.

To prevent radio interference to the licensed service, this device is intended to be operated indoors and away from windows to provide maximum shielding. Equipment (or its transmit antenna) that is installed outdoors is subject to licensing.

IC Exposure of Humans to RF Fields

The installer of this radio equipment must ensure that the antenna is located or pointed such that it does not emit RF field in excess of Health Canada limits for the general population; consult Safety Code 6, obtainable from Health Canada's website: www.hc-sc.gc.ca/rpb.

~~For customers in the U.S.A. and Canada~~

~~The use of optical instruments with this product will increase eye hazard.~~



~~Located on bottom side~~

For customers in Europe

Hereby, Sony, declares that this product is in compliance with the essential requirements and other relevant provisions of Directive 1999/5/EC.



~~It also complies with standard EN 60825-1, being classified as a CLASS 1 Laser product.~~

~~Located on bottom side~~

To obtain a copy of the Declaration of Conformity (DoC) to the R&TTE Directive, please access the following URL address: <http://www.compliance.sony.de/>

Do not open wireless devices, as opening them, for whatever reason, could lead to damages that are not covered by the guarantee.

Repair and maintenance only by authorized Sony technicians. Improper use and repairs can create a safety hazard.

In some situations or environments, the use of Bluetooth® wireless technology might be restricted by the proprietor of the building or responsible representatives of the organization, for example onboard airplanes, in hospitals or in any other environment where the risk of interference with other devices or services is perceived or identified as harmful.



If you are uncertain of the policy that applies to the use in a specific organisation or environment, you are encouraged to ask for authorization to use Bluetooth® wireless technology prior to switching it on. Consult your physician or the manufacturer of personal medical devices (pacemakers, hearing aids, etc.) regarding any restrictions on the use of Bluetooth® wireless technology.

Disposal of AAA batteries

- This wireless device is powered by AAA batteries.
- For installing the batteries, please refer to the “Inserting Batteries” section of this manual.
- Do not handle damaged or leaking batteries. Dispose of promptly and properly.
- Batteries may explode or leak if recharged, disposed of in fire, mixed with other types of battery or improperly installed.
- Batteries used in these devices may present a fire or chemical burn hazard if mistreated. Do not disassemble, heat above 60°C (140°F) or incinerate.
- Replace only with the same or equivalent type recommended by the manufacturer.
- Keep away from children.
- Dispose of properly at end-of-life.
- In some areas, the disposal of batteries in household or business waste may be prohibited. Please use the appropriate public collection system.

Disposal of Old Electrical & Electronic Equipment (Applicable in the European Union and other European countries with separate collection systems)




This symbol on the product or on its packaging indicates that this product shall not be treated as household waste. Instead it shall be handed over to the applicable collection point for the recycling of electrical and electronic equipment. By ensuring this product is disposed of correctly, you will help prevent potential negative consequences for the environment and human

health, which could otherwise be caused by inappropriate waste handling of this product. The recycling of materials will help to conserve natural resources. For more detailed information about recycling of this product, please contact your local Civic Office, your household waste disposal service or the shop where you purchased the product.

Table of Contents

Before Use	4
Features	4
Compatible personal computers	5
Location and Function of Controls	6
Setting up	8
Inserting batteries	8
Using the Bluetooth Utility software to enable communication	10
Operating distance of the controller	12
Power-saving features of the controller	12
Using the Controller	13
Giving a presentation	13
Enable or disable scrolling and tapping	14
Adjusting the pointer speed	15
Tips for giving a smooth presentation	15
Specifications	17
Precautions	18
Maintenance	19
Getting Help	19
Troubleshooting	20

- VAIO and  are trademarks of Sony Corporation.
- Microsoft, Windows, Windows Vista, and PowerPoint are registered trademarks or trademarks of Microsoft Corporation in the United States and/or other countries.
- The Bluetooth word mark and logos are owned by the Bluetooth SIG, Inc., and any use of such marks by Sony Corporation is under license. Other trademarks and Trade names are those of their respective owners.
- All other names of systems, products, and services are trademarks of their respective owners. In this manual, the ™ or ® marks are not specified.
- In this manual, Microsoft® Windows® XP Home Edition and Microsoft® Windows® XP Professional are referred to as Windows XP.
- In this manual, Windows Vista™ Home Basic, Windows Vista™ Home Premium, Windows Vista™ Business and Windows Vista™ Ultimate are referred to as Windows Vista.

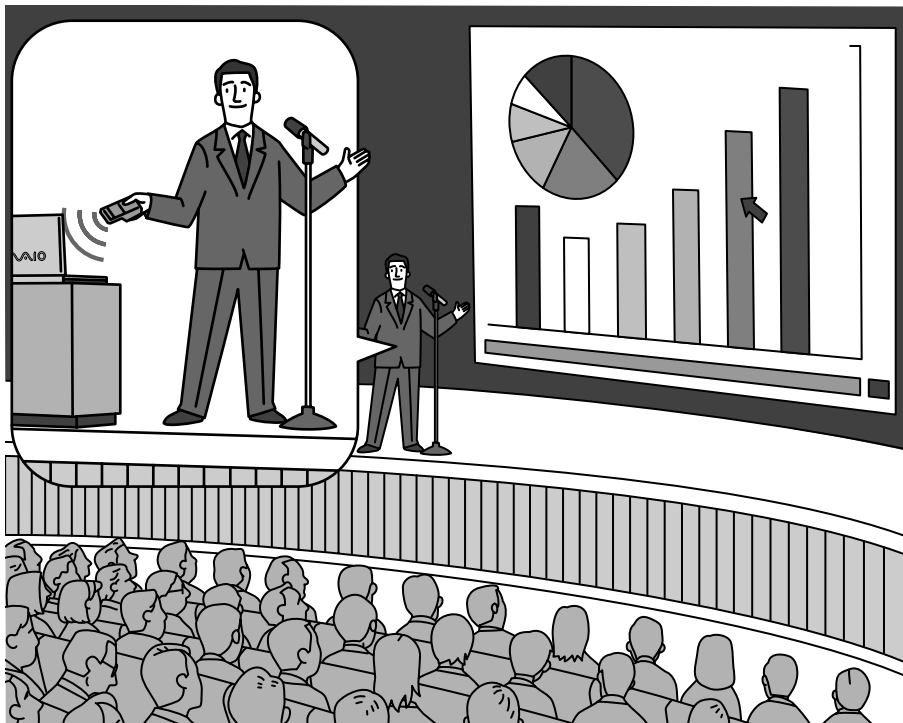
3 GB



Before Use

Features

This controller is a Bluetooth Presentation Controller that uses Bluetooth technology.



- Remotely start a slideshow, and move slides forward or backward.
- Use the touchpad as a pointer during your presentation.
- During your presentation, use the pointer option (page 00) to write on the screen, or use hyperlinking. Make your presentation more appealing with full control over video, Websites, and other content. (The pointer option and hyperlinking are features of Microsoft Office PowerPoint.)
- The touchpad can be used for much more than just presentations. It is also great for remotely controlling audio and video software.



Compatible personal computers

The Bluetooth® Presentation Controller can be used with the following personal computers (as of May 2007):

- Sony VAIO personal computers equipped with Bluetooth technology and pre-installed with Microsoft Windows XP Professional, Microsoft Windows XP Home Edition, or Microsoft Windows Vista. (SP2 must be installed on your personal computer if it is pre-installed with Windows XP.)

See the website referred to in “Getting Help” (page 00) regarding specific models.

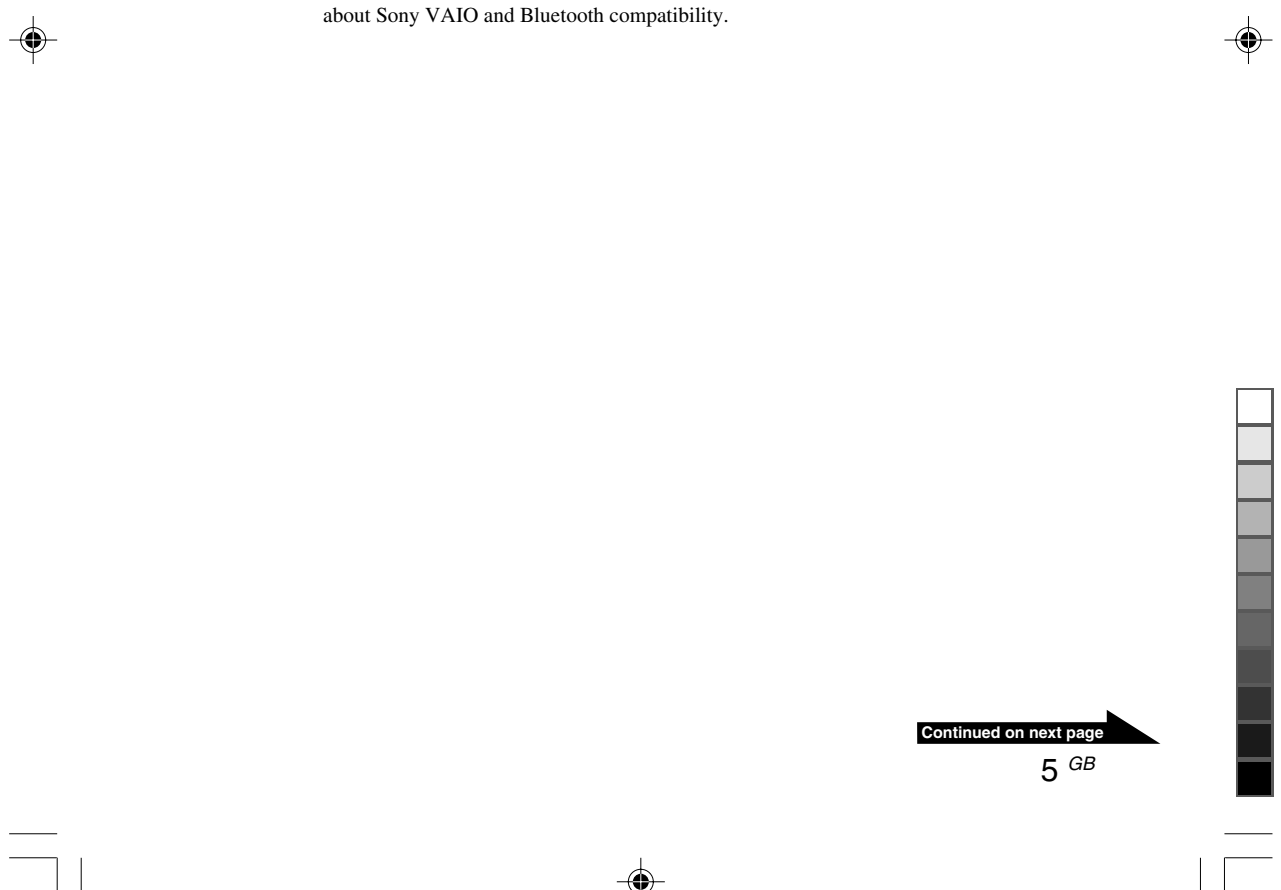
* Bluetooth technology

Bluetooth wireless technology provides instant short-range connectivity without the need for cumbersome cabling. For details, refer to the manuals included with your personal computer.

Note

Depending on the personal computer or version of software you are using, the controller may not operate correctly.

Consult your nearest Sony dealer about proper operating environments and information about Sony VAIO and Bluetooth compatibility.

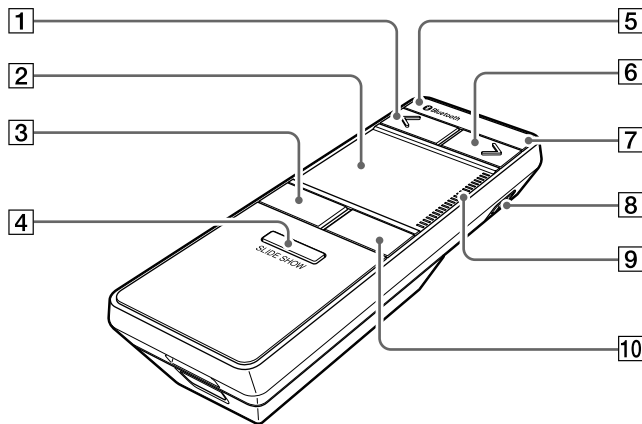


Continued on next page

5 GB

Location and Function of Controls

Front View



1 Previous Slide button

Displays the previous slide during a slideshow.

Has the same effect as pressing the PgUp (page up) key on the keyboard.

Note

Using this button with software other than PowerPoint software may work differently.

2 Touchpad

Works the same as the touchpad of a personal computer.

Sliding your finger across the touchpad moves the pointer on the screen in the same direction. Place your finger on the right edge of the touchpad ([9] scroll line) and move it up and down to move the vertical scrollbar of the selected window (Scroll feature).

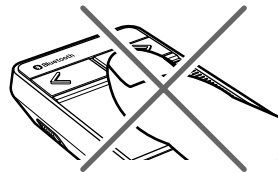
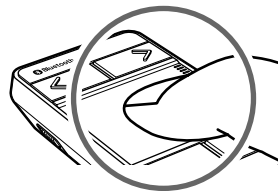
Tapping lightly once on the touchpad is equivalent to performing a left click. Tapping twice in succession is equivalent to performing a double click (Tapping feature).

Note

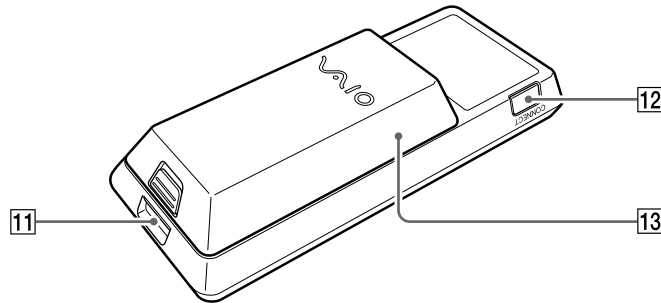
Horizontal scrolling is not available.

💡 Hint

It may be difficult to control the pointer with the pad of your finger on the touchpad. We recommend lightly sliding the tip of your finger on the touchpad. Operation may be adversely affected if your fingertip is wet or sweaty.



Back View



3 Left button

Works the same as the left button of a personal computer's touchpad or mouse. Press this button to open document or image files, or select software to run.

4 SLIDE SHOW button

Starts or ends a slideshow. Has the same effect as pressing the F5 and Esc keys on the keyboard.

Note

Using this button with software other than PowerPoint software may work differently.

Hint

If pressing the button has no effect, try pressing it again.

5 Bluetooth status lamp (page XX)

6 Next Slide button

Displays the next slide during a slideshow. Has the same effect as pressing the PgDn (page down) key on the keyboard.

Note

Using this button with software other than PowerPoint software may work differently.

7 POWER lamp

Displays the battery status.

Status	Lamp
Battery fully charged	Solid green
Battery charge low	Flashing yellow
Power off	Off

8 Power switch

Turns the controller on or off.

9 Scroll line

Scrolling (see "Touchpad" on page XX) is available.

10 Right button

Works the same as the right button of a personal computer's touchpad or mouse. Press this to display a shortcut menu and quickly perform a number of operations, such as copying your documents and images, and viewing file details.

11 Strap hole

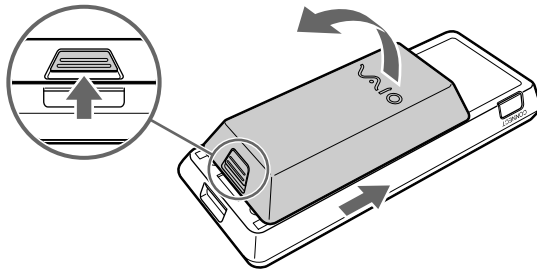
12 CONNECT button (page XX)

13 Battery cover

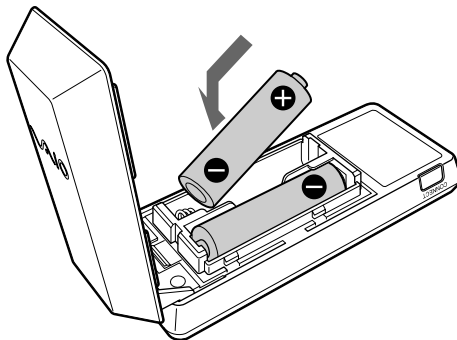
Setting up

Inserting batteries

- 1 Set the power switch to OFF.
- 2 Open the battery compartment cover.



- 3 Insert the two IEC R03 (size AAA) batteries* with the correct + – orientation.



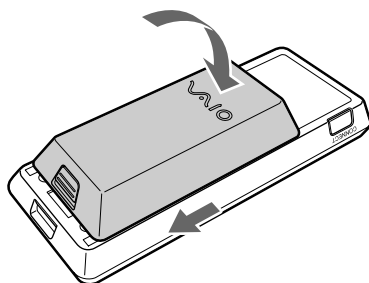
* The supplied manganese batteries are for testing purposes. We recommend using commercially available alkaline batteries.

Note

To prevent battery fluid leaks and damage, observe the following precautions.

- Insert the batteries with the correct + - orientation.
- Do not charge dry cell batteries.
- Do not use old and new batteries together. (Doing so may cause the battery fluid to leak. It can also prevent the controller from operating.)
- Do not use different types of batteries together.
- If the controller will not be used for a long time, remove the batteries.
- If a battery fluid leak occurs, carefully wipe the battery compartment, and insert new batteries.
- To prevent accidental operation, be careful not to press any buttons when replacing the batteries.

4 Close the battery compartment cover.



💡 Hint

The battery will last approximately 14 hours of continuous use (when using alkaline batteries). Check the controller's POWER lamp if the pointer becomes unresponsive, or the operating range between the personal computer and controller becomes shorter. If the POWER lamp is flashing yellow, replace the batteries. When not using the controller, set the power switch to off.

Replacing the batteries

The POWER lamp flashing yellow indicates that the battery life is running low. Replace the batteries when this occurs.

Continued on next page

9 GB

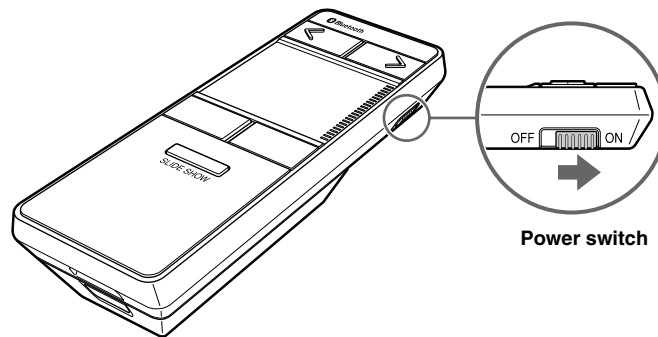
Using the Bluetooth Utility software to enable communication


Use the Bluetooth Utility software installed on your personal computer to enable communication between the controller and your personal computer.

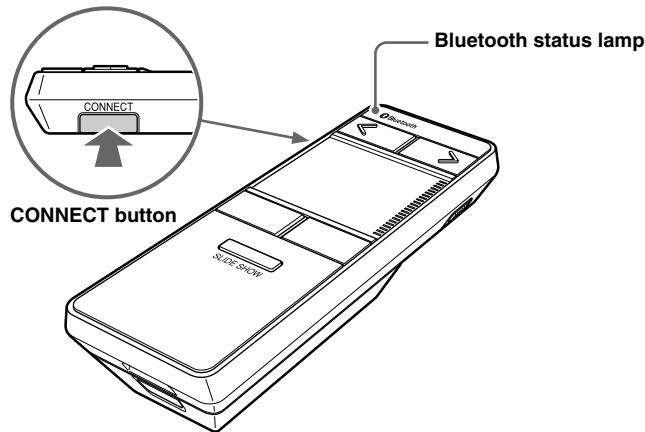
Hint

Operation of the Bluetooth Utility software may vary depending on your personal computer. For details on how to use the software, refer to the manuals provided with your personal computer.

- 1 Turn your personal computer on.
- 2 Set the power switch to ON.



- 3 Activate the Bluetooth function on your personal computer.
For details, refer to the manuals provided with your personal computer.
- 4 Double-click the  icon in the notification area on the bottom right corner of your personal computer's desktop.
The Bluetooth Utility software starts up, and the "Bluetooth Settings" screen displays.
- 5 Click "New Connection".
The "Add New Connection Wizard" screen appears.
- 6 Press the CONNECT button.
The Bluetooth status lamp turns blue and flashes quickly.



7 Select “Express Mode”, and click “Next”.
Search for Bluetooth devices begins.

8 In the device list, select “VGP-BRMP10”, and click “Next”.
If your personal computer is pre-installed with Windows Vista:
The “Add New Connection Wizard” screen disappears. Try moving the controller. If the pointer displayed on your screen moves in the same direction, the connection is complete.

💡 Hint

When the connection is complete, the Bluetooth status lamp turns blue and flashes slowly.

If your personal computer is pre-installed with Windows XP:
Go to step **9**.

Note

If the “Found New Hardware Wizard” appears, follow the wizard’s instructions to install the software.

9 Click “OK” at the prompt to connect the HID device.

10 Verify the contents of the window displayed, and click “Next”.

11 Click “Finish”.

Try moving the touchpad of the controller. If the pointer displayed on your screen moves in the same direction, the connection is complete.

💡 Hint

When the connection is complete, the Bluetooth status lamp turns blue and flashes slowly.

Continued on next page



Disconnecting

Turn off the power switch of the controller.

Reconnecting

Turn on the power of the controller. After the Bluetooth status lamp turns blue and begins flashing, the flashing will slow, and the connection will be resumed.

Operating distance of the controller

The controller can normally be operated within about a 32 ft. (10 m) radius around the personal computer. Depending on the usage environment, sometimes the usable distance may be notably shorter, preventing normal operation.

In such a case, take the following measures:

- Use the controller as far away from other wireless devices as possible.
- Use the controller closer to the personal computer.



Power-saving features of the controller

When the controller is connected to a personal computer, if you do not operate the controller for 20 minutes, it will disconnect from the personal computer in order to avoid draining the battery. Operating the controller's touchpad or buttons in this state will cause it to automatically connect.

12 ^{GB}

Using the Controller

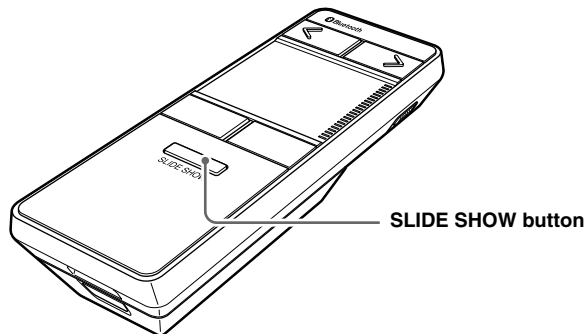
Giving a presentation

This section describes the steps for giving a presentation using PowerPoint software.

See “Location and Function of Controls” (page XX) for instructions on using the buttons and touchpad.

Also see “Tips for giving a smooth presentation” (page XX).

- 1 Open the file for your presentation in PowerPoint software.
- 2 Start a slideshow.
Press the SLIDE SHOW button.



Hint

- If nothing happens, try pressing the button again.
- By default, during a presentation the pointer is hidden if it does not move for more than 3 seconds. See “Tips for giving a smooth presentation” (page XX) to make the pointer visible at all times.

To display the next slide

Press the Next Slide button.

To display the previous slide

Press the Previous Slide button.

- 3 End a slideshow.
Press the SLIDE SHOW button.

Hint

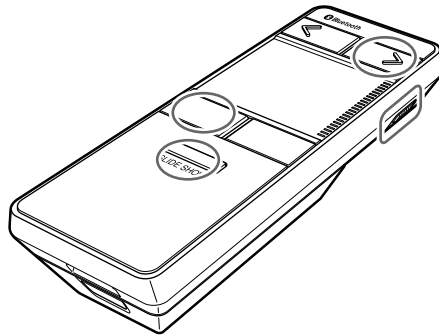
If nothing happens, try pressing the button again.

Continued on next page

Enable or disable scrolling and tapping

You can enable or disable the touchpad's scrolling and tapping features (page 00). The scrolling and tapping features are enabled at the factory.

- 1 Turn on the power switch (shown in rectangle) while simultaneously pressing and holding the SLIDE SHOW button, Left button, and Next Slide button (shown in circle).



- 2 The POWER lamp flashes green and yellow. Perform the following operation while it is flashing.

Note

If you do not perform the above operation within 10 seconds, the power turns on with the settings unchanged. Press the SLIDE SHOW button to skip setup and turn on the power.

- 3 Enable or disable scrolling and tapping.

To enable scrolling

Press and hold the Next Slide button for over 1 second.

To disable scrolling

Press and hold the Previous Slide button for over 1 second.

To enable tapping

Press and hold the Right button for over 1 second.

To disable tapping

Press and hold the Left button for over 1 second.

The controller turns on with the new settings.

Note

You cannot enable/disable the scrolling and tapping features at the same time. To set each of these features, follow steps 1 to 3 to set the scrolling or tapping feature, then turn off the power and perform steps 1 to 3 again.

Hint

The setting you performed in step 3 will be saved until you set it again, even if you remove the batteries or turn the power off and on.



Adjusting the pointer speed

If the pointer does not move smoothly when you slide your finger on the touch panel, use the steps below to set the pointer to a speed that is easier to use.


(The instructions below are only an example. The actual procedure may differ depending on your personal computer. For details, refer to the manuals provided with your personal computer.)

- 1 Click “Start”, then “Control Panel”.
The Control Panel window appears.
If you are using Windows XP:
Click the “Printers and Other Hardware” icon.
If you are using Windows Vista:
Click the “Hardware and Sound” icon.
- 2 Click the “Mouse” icon.
The Mouse Properties dialog appears.
- 3 Click the “Pointer Options” tab.
- 4 Adjust the speed, then click “OK”.



Tip

You can also change the pointer appearance in the Mouse Properties dialog. Changing the pointer speed using this procedure will also change the speed of the pointer controlled by your personal computer’s touchpad or mouse.



Tips for giving a smooth presentation

Here are some tips for making your presentation go more smoothly.

Setting the pointer options to always show the pointer arrow




If you are using PowerPoint software, we recommend making the following settings before starting your presentation.

- 1 While a slideshow is running, press the Right button to display the shortcut menu.
- 2 Select “Pointer Options”, “Arrow options”, then click “Visible”.
This setting will make the pointer arrow visible at all times during a slideshow (by default, during a presentation the pointer is hidden if it does not move for more than 3 seconds).
After the slideshow ends, the setting will return to the default value, so you must perform this setting each time.

Continued on next page

15 GB





Selecting the tapping and scrolling settings

The touchpad's tapping*¹ and scrolling*² features are enabled at the factory. Enable or disable these features according to preference. See page XX for details on how to enable or disable these features.

*¹The tapping feature

Tapping lightly once on the touchpad is equivalent to performing a left click. This is handy for things like navigating hyperlinks or playing video files during a presentation. If your presentation does not have hyperlinks, video files, or other objects you would want to click, we recommend disabling the tapping feature to avoid using it by mistake.

*²The scrolling feature

Place your finger on the scroll line (see page XX) and move it up and down to move the vertical scrollbar of the selected window.

Using the pointer options to select the pen for writing on slides

If you are using PowerPoint software, you can set the pointer to “Pen” to write on slides during your presentation.

While a slideshow is running, press the Right button to display the shortcut menu, then select “Pen” in the “Pointer Options”, and set the pen to the desired colour.

Using the strap

You can put a neck strap or hand strap in the strap hole (see page XX). This is a handy way to make sure you do not drop the controller.

Note

The PowerPoint examples above are for PowerPoint 2003.

Specifications

Communication method

Bluetooth Standard Ver. 2.0+EDR

Frequency band

RF 2.4 GHz (Bluetooth)

Power requirements

3 V DC (two manganese IEC R03 [size AAA] batteries)

Transmission distance

32 ft. (10 m) max. line of sight*1

Dimensions

Approx. 1.6 × 0.4 (0.8 max) × 4 in. (40 × 10.9 (20.2 max) × 104 mm) (w × h × d)

Mass

Approx. 2.0 oz. (57 g) (including batteries)

Supported models

Sony VAIO personal computers equipped with Bluetooth technology and pre-installed with Windows XP or Windows Vista.

Operating temperature

41°F to 95°F (5°C to 35°C)
(temperature gradient less than 18°F (10°C)/hour)

Operating humidity

20% to 80% (not condensed), provided that humidity is less than 65% at 95°F (35°C)
(hygrometer reading of less than 84°F (29°C))

Storage temperature

-4°F to 140°F (-20°C to 60°C)
(temperature gradient less than 18°F (10°C)/hour)

Storage humidity

10% to 90% (not condensed), provided that humidity is less than 20% at 140°F (60°C)
(hygrometer reading of less than 95°F (35°C))

Accessories

Manganese IEC R03 (size AAA) batteries*2 (2)

Operating Instructions (this document) (1)

Warranty Card (1)

*1 Communication range will vary according to whether walls or other obstacles are located between devices, the material used in walls, the presence of radio frequency interference and other environmental conditions, and the type of software being used.

*2 The supplied batteries are for testing purposes only. You can use the controller longer by using alkaline batteries.

Design and specifications are subject to change without notice.

付属電池についてJ向けと異なる箇所があればご指示くださいますようお願いいたします。



PrecautionsはIRX-9247から流用しています。

Precautions

Safety

If any solid object or liquid falls onto the controller, disconnect it and have it checked by qualified personnel before continuing its use.

Location

Do not place the controller in a location where it is:

- On an unstable surface
- In very humid areas or where there is no ventilation
- Subject to excessive dust
- Subject to direct sunlight or extreme heat
- Extremely cold

Operation

If the controller is brought directly from a cold to a warm location or is placed in a very damp room, moisture may condense on the inside of the controller. If this occurs, the controller may not work properly.

In this case, wait about 30 minutes for the moisture to evaporate. If the controller does not work properly after one hour, consult your nearest Sony dealer.

Bluetooth communications

- The 2.4 GHz band used by Bluetooth and wireless LAN devices is also used by various other devices. Bluetooth devices incorporate technology that minimizes interference from other devices using the same wavelength. However, communication speed and achievable distances may be reduced. Interference from other devices can also stop communications altogether.

- The data transfer rate will vary depending on distance and obstacles between devices, device configuration, radio interference, operating system, software application, and so on. In some cases, communication may be interrupted.
- Communication range will vary according to whether walls or other obstacles are located between devices, the material used in walls, the presence of radio frequency interference and other environmental conditions, and the type of software being used.
- If wireless LAN and Bluetooth functionality are used at the same time on the same personal computer, communication speed may be reduced due to electromagnetic interference, and other unwanted effects may occur.

Cleaning the outside of the controller

Clean the controller with a soft, dry cloth or a soft cloth lightly moistened with a mild detergent solution. Do not use any type of abrasive pad, scouring powder, or solvent such as alcohol or benzene.

Maintenance

Wipe the outside of the controller with a soft, dry cloth.

Cleaning the cabinet

- Turn off the power and remove the batteries before cleaning the controller.
- Do not use an excessively wet cloth to clean the controller.
- Do not use solvents, cleaning alcohol, benzene, or other substances that may damage the finish.

Getting Help

This section provides information on how to get help and support from Sony, and troubleshooting tips for your controller.

About Sony's support options

Sony provides several support options for your controller. When you have questions about your controller, refer to the following:

- **This guide** explains how to use your controller.

For customers in the United States and Canada

- **The Sony Customer Information Service Center** offers information about your VAIO computer and other Sony products that work with your computer. To contact Sony Customer Information Service Center, call 1-888-4SONYPC (1-888-476-6972).
- **Sony Computing Support** provides instant access to information on commonly encountered problems. Type a description of the problem and the Knowledge Database searches for corresponding solutions online. You can visit Sony Online Support at: <http://www.sony.com/pcsupport>.

For customers in Europe

- **VAIO-Link**. For addresses and numbers, refer to <http://www.vaio-link.com/>

For customers in other countries and regions

- **VAIO Website** provides Frequently Asked Questions and solutions. vaio-online.sony.com/

Getting HelpはIRX-9247から流用しています。

Troubleshooting

If you experience any of the following difficulties while using the controller, use this troubleshooting guide to solve the problem. If a problem persists, consult your nearest Sony dealer.

Symptom	Cause/Remedy
The controller does not turn on when I set the power switch to ON.	<ul style="list-style-type: none"><input type="checkbox"/> Your personal computer is in power-saving mode or is not turned on.<ul style="list-style-type: none">→ Unless your personal computer is turned on and not running in power-saving mode, the controller will not turn on, even when the power switch is set to ON. Turn on your personal computer or recover from power-saving mode.<input type="checkbox"/> Other controller buttons are being pressed while the power switch is set to ON.<ul style="list-style-type: none">→ If the power switch is set to ON while other controller buttons are being pressed, the controller will not turn on. Be sure not to press any other buttons when setting the power switch to ON.<input type="checkbox"/> The batteries are exhausted.<ul style="list-style-type: none">→ Replace the batteries. Under normal use, the batteries have a lifetime of approximately 14 hours (during continuous use). See “Inserting batteries” (page XX) for details.
The pointer does not move when I slide my finger over the controller’s touchpad.	<ul style="list-style-type: none">→ Processing performed by Windows or other software may temporarily disable the controller. Wait a few moments for the processing to finish before using the controller.→ You may find some useful solutions in your personal computer’s operating instructions. Refer to the manuals provided with your personal computer.<input type="checkbox"/> You are using an unsupported software program.<ul style="list-style-type: none">→ Please use a supported software program.<input type="checkbox"/> The controller batteries are exhausted.<ul style="list-style-type: none">→ If the power does not come on when the power switch is set to ON, replace the batteries. For details, see “Inserting batteries” (page 00).<input type="checkbox"/> The controller is not set to ON.<ul style="list-style-type: none">→ Set the power switch on the bottom of the controller to ON.<input type="checkbox"/> The controller and your personal computer are not communicating.<ul style="list-style-type: none">→ Perform the steps in “Using the Bluetooth Utility software to enable communication” (page 00) to ensure that proper communication is possible.



Symptom	Cause/Remedy
The pointer does not move when I slide my finger over the controller's touchpad.	<ul style="list-style-type: none"> → In some operating environments, the usable distance may be noticeably shorter, preventing normal operation. In such cases, use the controller farther away from any other devices that may be interfering with operation. → If the controller is too far from your personal computer, communication is not possible. Bring the controller and your personal computer closer together. <input type="checkbox"/> You pressed the CONNECT button while operating the controller. <ul style="list-style-type: none"> → If you press the CONNECT button while operating the controller, the controller will go into connection standby for approximately one minute, during which time the controller cannot be operated. If you press the CONNECT button, wait a few minutes before operating the controller. <input type="checkbox"/> The controller may not be able to make a connection in environments where communications are being conducted using wireless LAN (2.4 GHz band) or Bluetooth products. <ul style="list-style-type: none"> → We recommend using the controller in a location relatively free of influence from wireless communications. → Disconnect any Bluetooth products other than this controller. <input type="checkbox"/> You are operating the touchpad using the pad of your finger. <ul style="list-style-type: none"> → It may be difficult to control the pointer by using the pad of your finger on the touchpad. We recommend lightly sliding the tip of your finger on the touchpad to operate it. Operation may also be adversely affected if your fingertip is sweaty. <input type="checkbox"/> You have set the pointer speed set too low. <ul style="list-style-type: none"> → Follow the instructions in "Adjusting the pointer speed" (page XX) to adjust the pointer speed.
Just touching the touchpad causes a click.	<ul style="list-style-type: none"> <input type="checkbox"/> The tapping feature is enabled. <ul style="list-style-type: none"> → You can disable tapping. See "Enable or disable scrolling and tapping" (page OO) for details.
Just sliding my finger on the touchpad causes scrolling.	<ul style="list-style-type: none"> <input type="checkbox"/> The tapping feature is enabled. <ul style="list-style-type: none"> → You can disable scrolling. See "Enable or disable scrolling and tapping" (page OO) for details.
Pressing the CONNECT button does not establish a connection.	<ul style="list-style-type: none"> → Check whether batteries are inserted in the controller. For details, see "Inserting batteries" (page 00). → If the power switch on the controller is set to OFF, communication with the personal computer is not possible. Check the power switch setting on the bottom of the controller.

Continued on next page





Symptom	Cause/Remedy
Pressing the CONNECT button does not establish a connection.	<ul style="list-style-type: none"> → Communication between the controller and your personal computer may not have been properly established. If the CONNECT button on the controller is not pressed within 30 seconds after the Bluetooth device search begins, or if the operation does not complete within one minute of pressing the CONNECT button, controller communication is cancelled. In such a case, perform the procedure again to enable communication. For details, see “Using the Bluetooth Utility software to enable communication”. → If the controller and personal computer are too far apart, communication is not possible. The maximum communication distance between the controller and personal computer is about 32 ft. (10m). If used on a metal table or if obstacles lie between the controller and personal computer, the usable distance may be less.
Pressing the SLIDE SHOW button does not start/stop the slideshow.	<ul style="list-style-type: none"> → The operation may take some time if Windows is busy or another software is running. Try waiting until the software completes its operation, or restart the software. → Each time you press the SLIDE SHOW button, it switches between start and end. If the slideshow does not start or stop, try pressing the button again.
The scrolling features do not work.	<ul style="list-style-type: none"> <input type="checkbox"/> The operating system is not compatible. <ul style="list-style-type: none"> → Use a supported operating system. <input type="checkbox"/> The program you are using is not compatible with scrolling features. <ul style="list-style-type: none"> → The scrolling features only work with programs that use a scroll function. → Some programs do not support scrolling features.
When I am using the controller, the display goes dark or the personal computer enters power-saving mode.	<ul style="list-style-type: none"> <input type="checkbox"/> The personal computer enters power-saving mode even while the controller is in use. <ul style="list-style-type: none"> → Change the power management settings for the personal computer to prevent it from entering power-saving mode. For details, refer to the manuals provided with your personal computer. → Touch the touchpad or press any key on the keyboard of the personal computer to recover from power-saving mode.
The personal computer does not return from Standby mode.	<ul style="list-style-type: none"> → Touch the touchpad or press any key on the keyboard of the personal computer to exit this mode.



Symptom	Cause/Remedy
Recovering from power-saving mode with the controller takes a long time or is not possible.	→ Press any key or the power button on the keyboard of the personal computer .
The controller does not move smoothly after recovering from the power-saving mode.	→ Deactivate the Bluetooth connection, wait a few seconds, and then reestablish connection.
The controller does not connect when I turn it off and back on. It will not connect after recovering from power-saving mode.	<input type="checkbox"/> The security level of the Bluetooth Utility software is set to High. → If you can set the security level using the Bluetooth Utility software, in the Options dialog, on the Security tab, set the Bluetooth Security level to other than High (Medium, Standard, or Low). <input type="checkbox"/> The software is set to “Don’t allow connections”. → If you can set the connection mode using the Bluetooth Utility software, in the Device Properties & Security dialog, on the Security tab, set the Connection Mode to “Allow connections.”
The controller is not found when the Bluetooth device search is performed.	<input type="checkbox"/> The controller is unable to be detected. → Press the CONNECT button on the controller, and then try the search again. <input type="checkbox"/> The power switch on the controller is set to OFF. → Check the power switch setting of the controller.
The “Found New Hardware Wizard” appears when connecting.	<input type="checkbox"/> This wizard may appear if you have three or more HID Profile-compatible devices (such as a Bluetooth mouse, keyboard, and this controller) registered on the personal computer. → In the wizard that appears, perform the following steps. <ol style="list-style-type: none"> 1. The wizard asks, “Can Windows connect to Windows Update to search for software?” Select “No, not this time.” Then click “Next.” 2. The wizard next asks, “What do you want the wizard to do?” Select “Install the software automatically (Recommended),” and click “Next.” 3. The wizard informs you that “the software has not passed the Windows Logo testing.” This warning is to be expected. Click “Continue Anyway.” 4. The wizard tells you, “Completing the Found New Hardware Wizard.” Click “Finish.”
I am asked to input a key at the time of authentication.	→ Input “0000” as the key.