

EXHIBIT B

[Ref: RSP-1002.4(a)]

" Block Diagram "

Fig.B-1 Block Diagram of RM-SRXDP10J

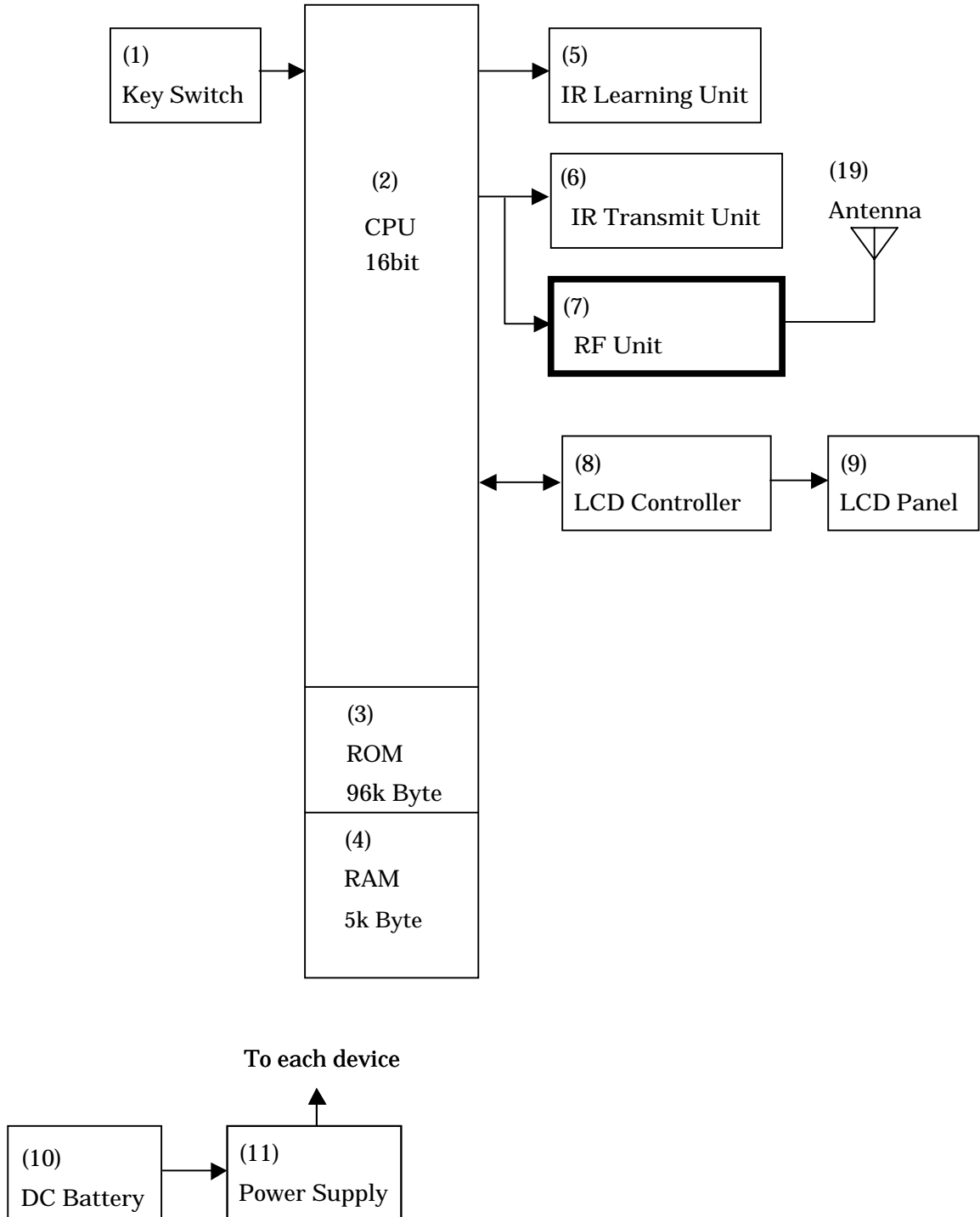


Fig.B-2 Block Diagram of RF Unit

