

< Application modification >

EXHIBIT B

[Ref: RSP-1002.4(a)]

" Block and Schematic Diagram "

Fig.B-2 Block Diagram of RF Unit

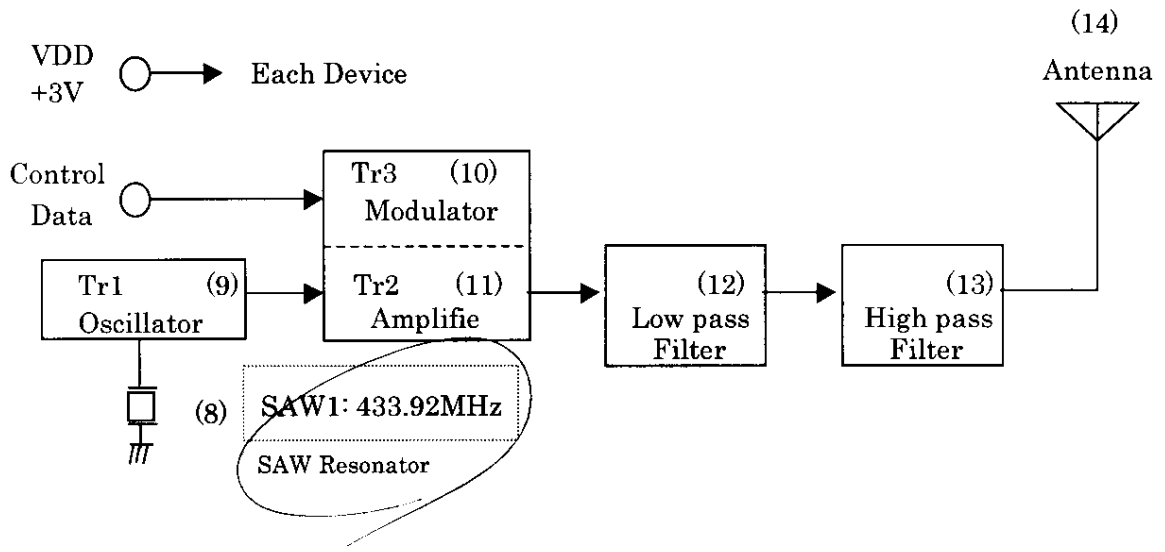


Fig.B-3 Schematic Diagram of RF Unit

