

**CAUTION**

RISK OF ELECTRIC SHOCK  
DO NOT OPEN

CAUTION: TO REDUCE THE RISK OF ELECTRIC SHOCK, DO NOT REMOVE COVER (OR BACK) NO USER SERVICEABLE PARTS INSIDE. REFER SERVICING TO QUALIFIED SERVICE PERSONNEL.



The lightning flash with arrowhead symbol, within an equilateral triangle is intended to alert the user to the presence of uninsulated "dangerous voltage" within the product's enclosure that may be of sufficient magnitude to constitute a risk of electric shock to persons.



The exclamation point within an equilateral triangle is intended to alert the user to the presence of important operating and maintenance (servicing) instructions in the literature accompanying the appliance.

**WARNING: TO REDUCE THE RISK OF FIRE OR ELECTRIC SHOCK, DO NOT EXPOSE THIS APPLIANCE TO RAIN OR MOISTURE.**

### CAUTION

To reduce the risk of electrical shocks, fire, etc.:

1. Do not remove screws, covers or cabinet.
2. Do not expose this appliance to rain or moisture.

#### Caution — POWER switch!

Disconnect the mains plug to shut the power off completely. The POWER switch in any position does not disconnect the mains line. The power can be remote controlled.

#### Caution — SPEAKER LOAD SELECTOR switch!

Match the position of SPEAKER LOAD SELECTOR switch on the back panel to the impedance of the speaker connected, to protect from overheating.

#### Caution: Proper Ventilation

To avoid risk of electric shock and fire and to protect from damage. Locate the apparatus as follows:

- Front: No obstructions open spacing.
- Sides: No obstructions in 10 cm from the sides.
- Top: No obstructions in 10 cm from the top.
- Back: No obstructions in 15 cm from the back
- Bottom: No obstructions, place on the level surface.

In addition, maintain the best possible air circulation as illustrated.

#### For the main unit:

Declaration of Conformity

Model Number: RX-9010VBK

Trade Name: JVC

Responsible Party: JVC Americas Corp.

Address: 1700 Valley Road, Wayne  
New Jersey 07470

Telephone Number: 973-315-5000

This device complies with Part 15 of FCC Rules. Operation is subject to the following two conditions: (1) This device may not cause harmful interference, and (2) this device must accept any interference received, including interference that may cause undesired operation.

#### For the main unit:

This equipment has been tested and found to comply with the limits for a Class B digital device, pursuant to part 15 of the FCC Rules. These limits are designed to provide reasonable protection against harmful interference in a residential installation.

This equipment generates, uses and can radiate radio frequency energy and, if not installed and used in accordance with the instructions, may cause harmful interference to radio communications. However, there is no guarantee that interference will not occur in a particular installation. If this equipment does cause harmful interference to radio or television reception, which can be determined by turning the equipment off and on, the user is encouraged to try to correct the interference by one or more of the following measures:

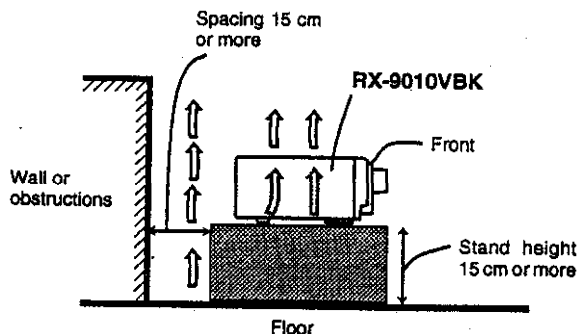
- Reorient or relocate the receiving antenna.
- Increase the separation between the equipment and receiver.
- Connect the equipment into an outlet on a circuit different from that to which the receiver is connected.
- Consult the dealer or an experienced radio/TV technician for help.

Changes or modifications not expressly approved by the manufacturer for compliance could void the user's authority to operate the equipment.

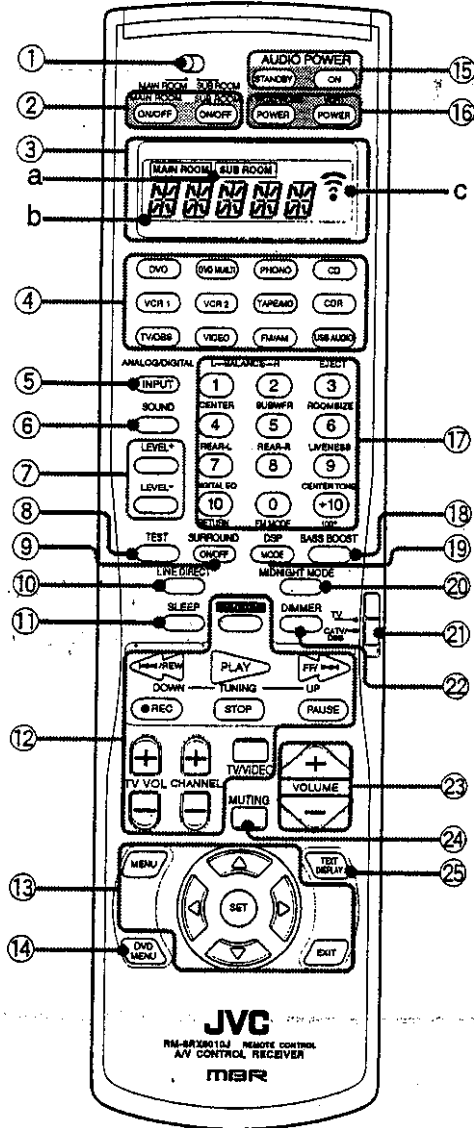
#### For the remote control:

This device complies with Part 15 of the FCC Rules. Operation is subject to the following two conditions: (1) This device may not cause harmful interference, and (2) this device must accept any interference received, including interference that may cause undesired operation.

Changes or modifications not expressly approved by the manufacturer for compliance could void the user's authority to operate the equipment.



## Remote Control



- ① MAIN ROOM / SUB ROOM selector (15, 16)
- ② MAIN ROOM ON/OFF button (18)  
SUB ROOM ON/OFF button (16, 24)
- ③ Display window (17, 23, 27, 40, 49, 50, 58, 65, 67, 68)
  - a. MAIN ROOM/SUB ROOM indicators
  - b. Remote control mode operation indicator
  - c. Signal transmission indicator  
Lights up when transmitting the remote control signals.
- ④ Source selecting buttons (18, 25)  
DVD, DVD MULTI, PHONO, CD, VCR 1, VCR 2, TAPE/MD, CDR, TV/DBS, VIDEO, FM/AM, USB AUDIO
- ⑤ ANALOG/DIGITAL INPUT button (32)
- ⑥ SOUND button (20, 28, 40, 42 – 44, 46, 48, 49, 65)
- ⑦ LEVEL + / – buttons (20, 28, 40, 42, 44, 46, 48, 49)
- ⑧ TEST button (40, 41, 44)
- ⑨ SURROUND ON/OFF button (39, 40, 43)
- ⑩ LINE DIRECT button (22)
- ⑪ SLEEP button (22)
- ⑫ Operating buttons for audio/video components (35, 65 – 70)
- ⑬ On-screen operation buttons  
MENU, SET, EXIT,  $\Delta$ ,  $\nabla$ ,  $\triangleleft$ ,  $\triangleright$  (50, 58, 67, 70)
- ⑭ DVD MENU button (67, 70)
- ⑮ AUDIO POWER buttons  
STANDBY, ON (15 – 17, 24)
- ⑯ AUDIO POWER buttons  
TV/CATV/DBS POWER, VCR 1 POWER (67 – 70)
- ⑰ • 10 keys for selecting preset channels (36)  
• 10 keys for adjusting sound  
(20, 28, 36, 40 – 44, 46, 48, 49, 65)  
• 10 keys for operating audio/video components  
(65, 66, 68 – 70)
- ⑱ BASS BOOST button (21)
- ⑲ DSP MODE button (42, 43, 46, 48)
- ⑳ MIDNIGHT MODE button (21)
- ㉑ TV/CATV/DBS selector (67, 68)
- ㉒ DIMMER button (22)
- ㉓ VOLUME +/- button (15, 16, 19, 25)
- ㉔ MUTING button (21, 26)
- ㉕ TEXT DISPLAY button (58)

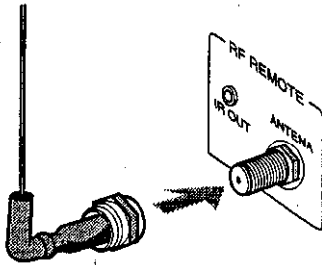
## Setting Up the RF Rod Antenna

The remote control supplied for this receiver can transmit RF (Radio Frequency) signal. The RF rod antenna can receive the RF signals emitted from the remote control. So, with the RF rod antenna connected, you can operate the receiver at a distance of up to 50 feet (15 m) using the remote control. However, if the antenna cannot receive signals stably, you cannot operate the receiver correctly.

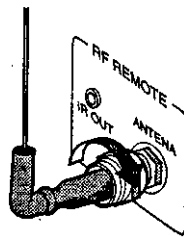
- The signal-reachable distance may differ depending on the operating conditions and circumstances.
- Without the RF rod antenna connected, you can operate the receiver with the remote control, aiming the remote control directly toward the remote sensor on the receiver.

### To set up the RF rod antenna

1. Insert the RF rod antenna to the RF REMOTE ANTENNA terminal.



2. Rotate the fixing nut to attach the RF rod antenna firmly.



### The RF rod antenna and IR signal Transmitter

The combination of the RF rod antenna and the IR signal transmitter (see to the right) allows you to use the Multi-room function more conveniently.

The remote control supplied for this receiver can transmit both RF (Radio Frequency) signal and IR (infrared) signal at the same time. This receiver catch the RF signals emitted from the remote control, and convert them into IR signals, then transmit the converted signals to the remote sensor on the other components through IR signal transmitter.

This means that you can control not only this receiver but the other components from the sub-room.

## Setting Up the IR Signal Transmitter

The IR signal transmitter can transmit the IR signals.

It allows you to use the AV COMPULINK system, and to operate other manufacturers' components without aiming the remote control directly toward the remote sensor on the target components. In addition, the IR signal transmitter reduces the possibility of malfunction.

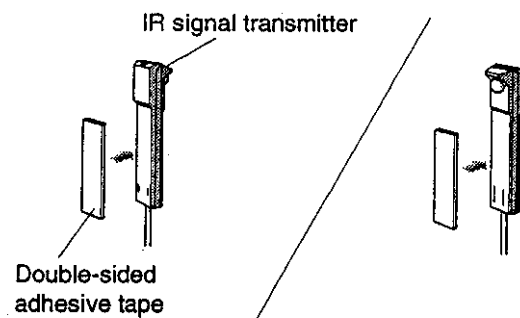
- The IR signal transmitter may not operate the target components depending on the operating conditions and circumstances — including the aiming angle and direction of the IR signal transmitter toward the remote sensors of the target components. If this occurs, changing its aiming angle and direction toward the remote sensors may solve the problem.

### To set up the IR signal transmitter

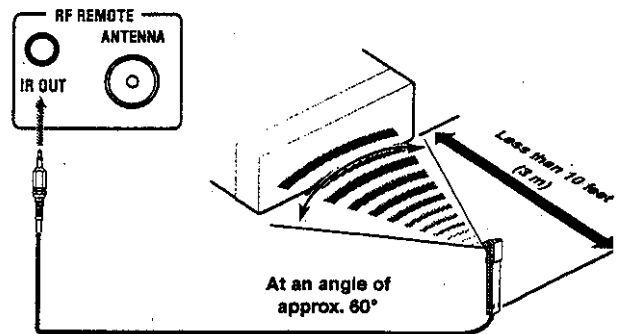
1. Find the place where you attach the IR signal transmitter.

- Place it where the signal can reach the remote sensor of the target components directly (in the line-of-sight).
- If the cord length of the IR signal transmitter is not long enough, use an extension cord (separately purchased).

2. Attach the double-sided adhesive tape (supplied) to the IR signal transmitter.



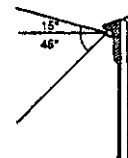
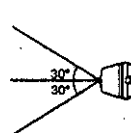
3. Connect the plug of the transmitter to the IR OUT jack of the receiver and place the transmitter.



### Signal-emitting angle of the transmitter

Horizontally: 60°

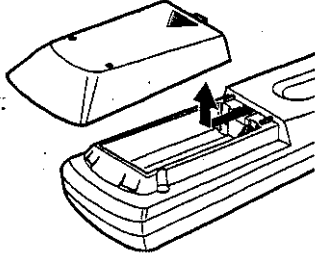
Vertically: 60°



## Putting Batteries in the Remote Control

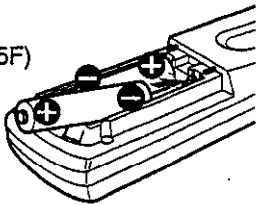
Before using the remote control, put two supplied batteries first.

1. On the back of the remote control, remove the battery cover.

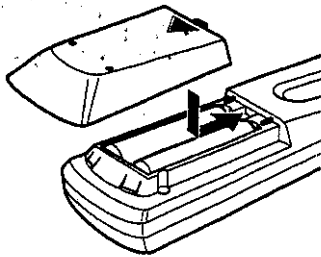


2. Insert batteries. Make sure to match the polarity: (+) to (+).

R6P(SUM3)/AA(15F)



3. Replace the cover.



If the remote control cannot transmit signals and operate the receiver correctly, replace the batteries. Use two R6P(SUM3)/AA(15F) type dry-cell batteries.

### Notes:

- When you can aim the remote control directly at the remote sensor on the receiver, you can operate the receiver at a distance of up to 23 feet (7 m).
- After replacing the batteries, set the manufacturers' codes again (see page 6B).

### CAUTIONS:

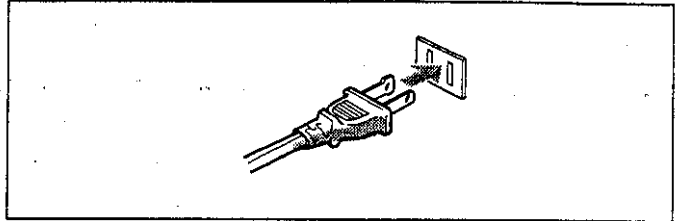
Follow these precautions to avoid leaking or cracking cells:

- Place batteries in the remote control so they match the polarity: (+) to (+) and (-) to (-).
- Use the correct type of batteries. Batteries that look similar may differ in voltage.
- Always replace both batteries at the same time.
- Do not expose batteries to heat or flame.

## Connecting the Power Cord

Before plugging the receiver into an AC outlet, make sure that all connections have been made.

Plug the power cord into an AC outlet.



Keep the power cord away from the connecting cables and the antenna. The power cord may cause noise or screen interference. We recommend that you use a coaxial cable to connect the antenna, since it is well-shielded against interference.

### Note:

The preset settings such as preset channels and sound adjustment may be erased in a few days in the following cases:

- When you unplug the power cord.
- When a power failure occurs.

### CAUTIONS:

- Do not touch the power cord with wet hands.
- Do not pull on the power cord to unplug the cord. When unplugging the cord, always grasp the plug so as not to damage the cord.