

REVISION

NO.	DATE	DESCRIPTION	BY	CHKD
1	1972.10.20	INITIAL DESIGN		
2	1972.11.5	REVISED		
3	1972.11.5	REVISED		
4	1972.11.5	REVISED		
5	1972.11.5	REVISED		
6	1972.11.5	REVISED		
7	1972.11.5	REVISED		

COMPONENTS

NO.	DATE	DESCRIPTION	BY	CHKD
1	1972.10.20	INITIAL DESIGN		
2	1972.11.5	REVISED		
3	1972.11.5	REVISED		
4	1972.11.5	REVISED		
5	1972.11.5	REVISED		
6	1972.11.5	REVISED		
7	1972.11.5	REVISED		

REVISION

NO.	DATE	DESCRIPTION	BY	CHKD
1	1972.10.20	INITIAL DESIGN		
2	1972.11.5	REVISED		
3	1972.11.5	REVISED		
4	1972.11.5	REVISED		
5	1972.11.5	REVISED		
6	1972.11.5	REVISED		
7	1972.11.5	REVISED		

REVISION

NO.	DATE	DESCRIPTION	BY	CHKD
1	1972.10.20	INITIAL DESIGN		
2	1972.11.5	REVISED		
3	1972.11.5	REVISED		
4	1972.11.5	REVISED		
5	1972.11.5	REVISED		
6	1972.11.5	REVISED		
7	1972.11.5	REVISED		

REVISION

NO.	DATE	DESCRIPTION	BY	CHKD
1	1972.10.20	INITIAL DESIGN		
2	1972.11.5	REVISED		
3	1972.11.5	REVISED		
4	1972.11.5	REVISED		
5	1972.11.5	REVISED		
6	1972.11.5	REVISED		
7	1972.11.5	REVISED		

REVISION

NO.	DATE	DESCRIPTION	BY	CHKD
1	1972.10.20	INITIAL DESIGN		
2	1972.11.5	REVISED		
3	1972.11.5	REVISED		
4	1972.11.5	REVISED		
5	1972.11.5	REVISED		
6	1972.11.5	REVISED		
7	1972.11.5	REVISED		

REVISION

NO.	DATE	DESCRIPTION	BY	CHKD
1	1972.10.20	INITIAL DESIGN		
2	1972.11.5	REVISED		
3	1972.11.5	REVISED		
4	1972.11.5	REVISED		
5	1972.11.5	REVISED		
6	1972.11.5	REVISED		
7	1972.11.5	REVISED		

REVISION

NO.	DATE	DESCRIPTION	BY	CHKD
1	1972.10.20	INITIAL DESIGN		
2	1972.11.5	REVISED		
3	1972.11.5	REVISED		
4	1972.11.5	REVISED		
5	1972.11.5	REVISED		
6	1972.11.5	REVISED		
7	1972.11.5	REVISED		

REVISION

NO.	DATE	DESCRIPTION	BY	CHKD
1	1972.10.20	INITIAL DESIGN		
2	1972.11.5	REVISED		
3	1972.11.5	REVISED		
4	1972.11.5	REVISED		
5	1972.11.5	REVISED		
6	1972.11.5	REVISED		
7	1972.11.5	REVISED		

REVISION

NO.	DATE	DESCRIPTION	BY	CHKD
1	1972.10.20	INITIAL DESIGN		
2	1972.11.5	REVISED		
3	1972.11.5	REVISED		
4	1972.11.5	REVISED		
5	1972.11.5	REVISED		
6	1972.11.5	REVISED		
7	1972.11.5	REVISED		

CV 120011
DT-4514545
17.5
0.25mm

MALJ4000-6
17.5
0.25mm

5.00015
MILITARY
17.5
0.25mm

5.00015
MILITARY
17.5
0.25mm

5.00015
MILITARY
17.5
0.25mm

5.00015
MILITARY
17.5
0.25mm

5.00015
MILITARY
17.5
0.25mm

5.00015
MILITARY
17.5
0.25mm

5.00015
MILITARY
17.5
0.25mm

5.00015
MILITARY
17.5
0.25mm

5.00015
MILITARY
17.5
0.25mm

5.00015
MILITARY
17.5
0.25mm

5.00015
MILITARY
17.5
0.25mm

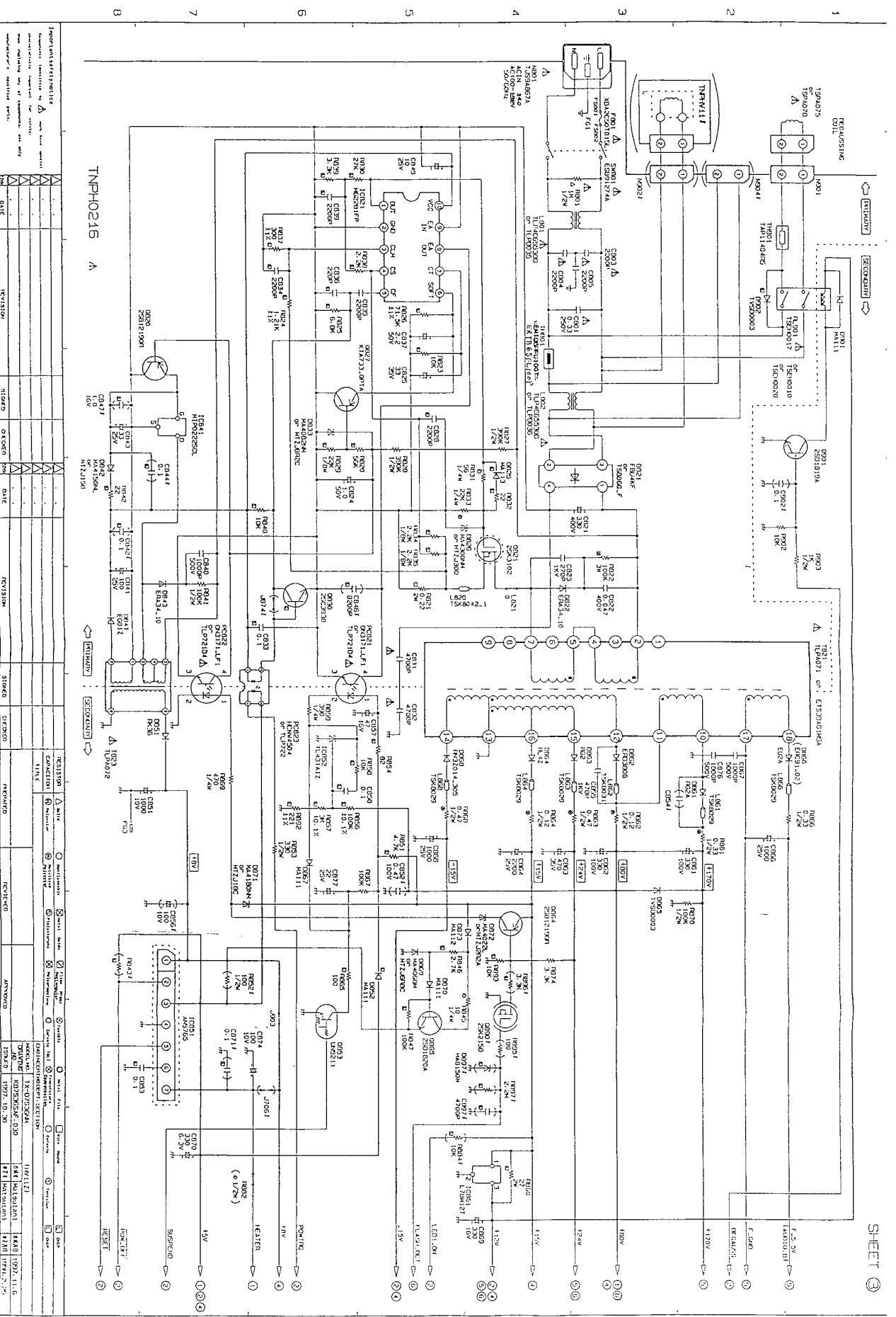
5.00015
MILITARY
17.5
0.25mm

5.00015
MILITARY
17.5
0.25mm

5.00015
MILITARY
17.5
0.25mm

5.00015
MILITARY
17.5
0.25mm

5.00015
MILITARY
17.5
0.25mm



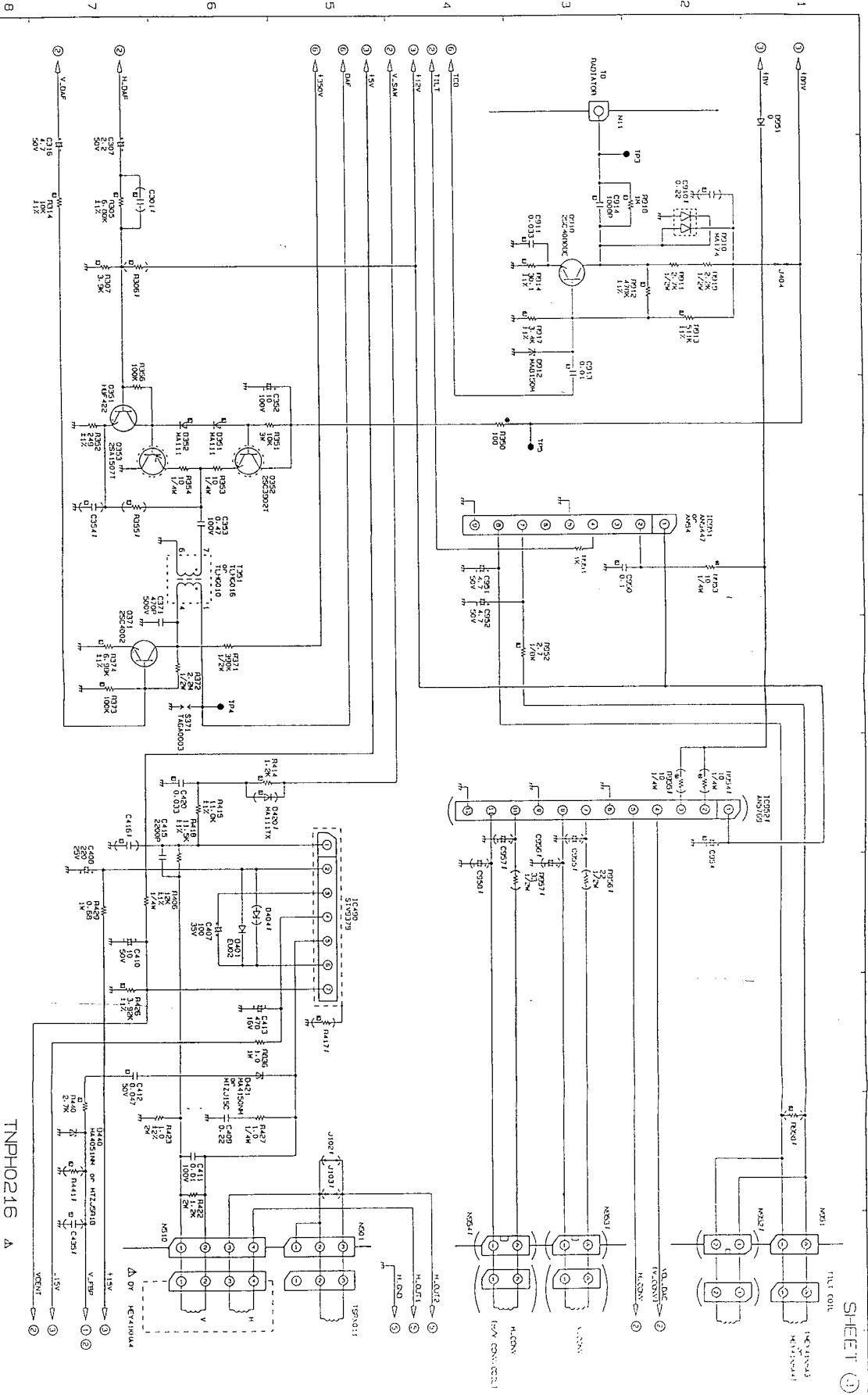
TNPH0216 A

REVISION		DATE		BY		CHECKED		APPROVED	
1									
2									
3									
4									
5									
6									
7									
8									

SHEET 3

IMPORTANT: This drawing is the property of MATSUBITA ELECTRIC INDUSTRIAL CO., LTD. and is not to be reproduced without written permission. It is to be used for the manufacture of the equipment only.

MATSUBITA ELECTRIC INDUSTRIAL CO., LTD.



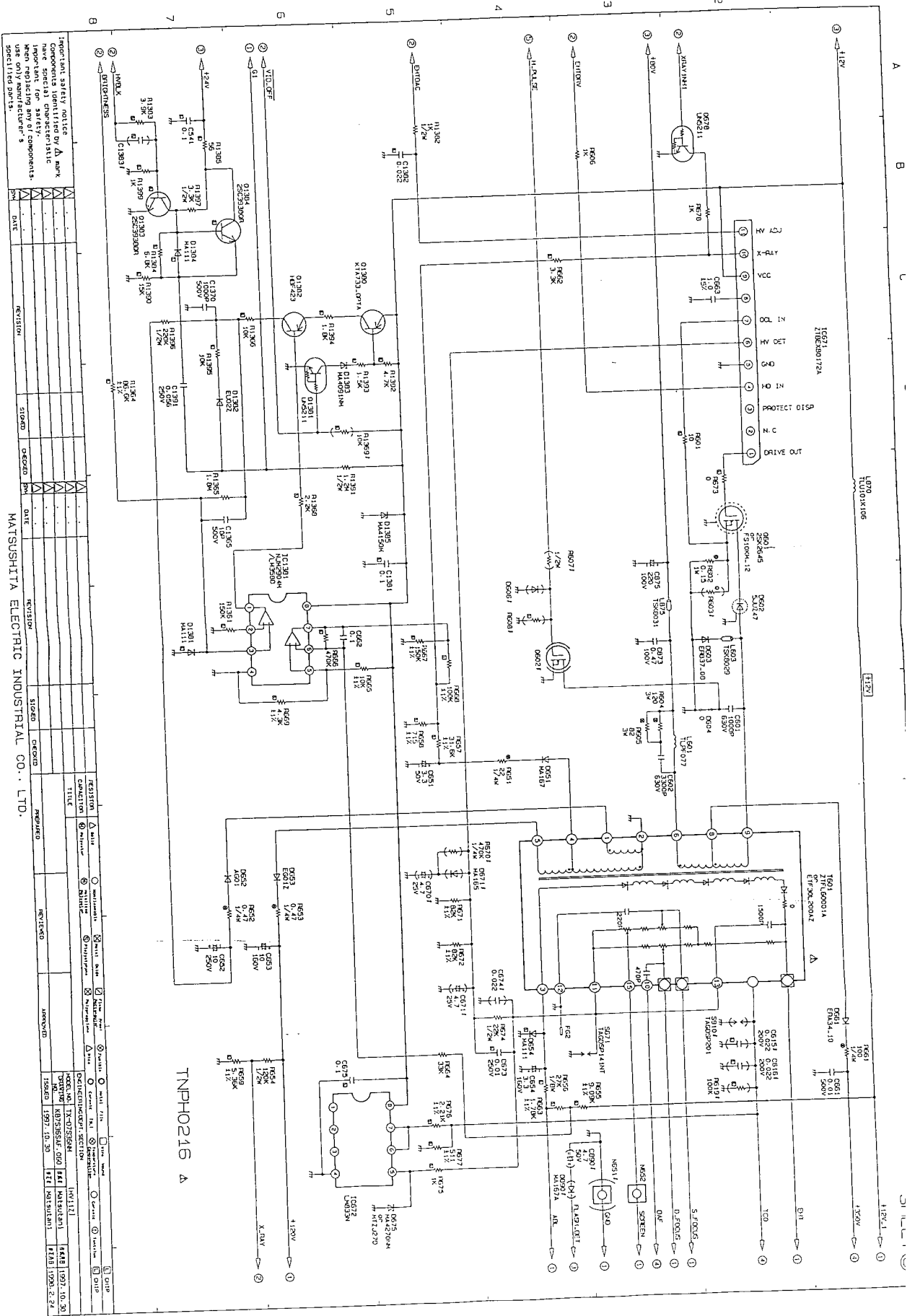
TNP0216 A

REVISION	DATE	REVISION	DATE	REVISION	DATE
DESIGNED	DATE	DRAWN	DATE	CHECKED	DATE
APPROVED	DATE	CHECKED	DATE	APPROVED	DATE

IMPORTANT SAFETY NOTICE: Components identified by a mark have specific characteristics when replacing any of components, use only manufacturer's specified parts.

MATSUSHITA ELECTRIC INDUSTRIAL CO., LTD.

MODEL NO.	TNP0216	REV.	1.1
DATE	1997.10.30	DESIGNED	MAZDAKI
		DRAWN	MAZDAKI
		CHECKED	MAZDAKI
		APPROVED	MAZDAKI



Important safety notice
 Components shown in this schematic
 are not to be replaced or repaired
 when replacing any of components.
 use only manufacturer's
 specified parts.

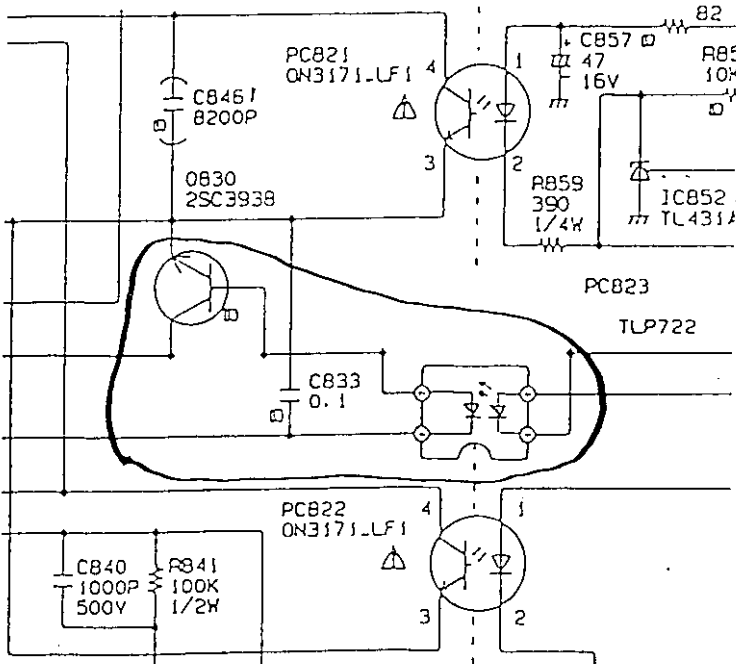
REV.	DATE	REVISION	STAGE	DESIGN	PM	DATE	REVISION	STAGE	DESIGN	PM	DATE

MATSUMITA ELECTRIC INDUSTRIAL CO., LTD.

REVISION	DATE	REASON	APPROVED

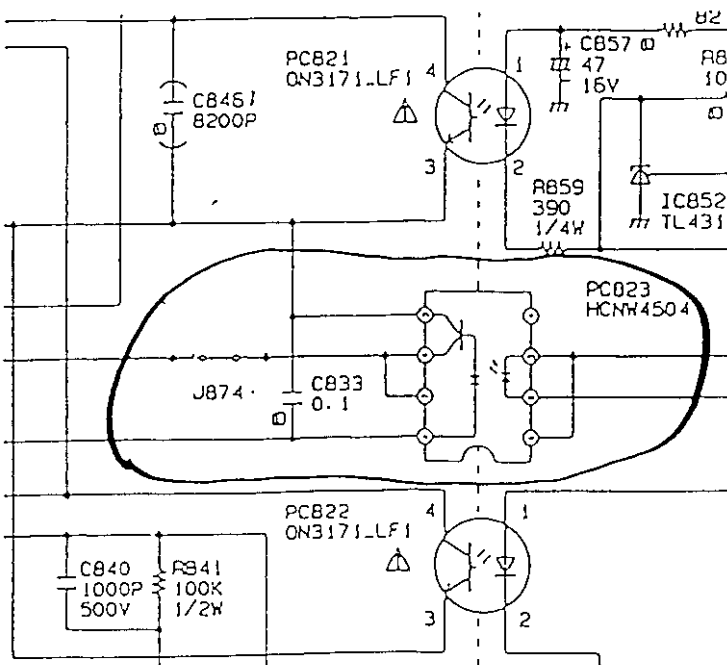
TNP0216 A

Schematic Diagram for
Alternative Optocoupler PC823



< CASE 1 >

PC823 : TLP722
Q830 : 2SC3938
J874 : NONE



< CASE 2 >

PC823 : HCNW4504
Q830 : NONE
J874 : CONNECT