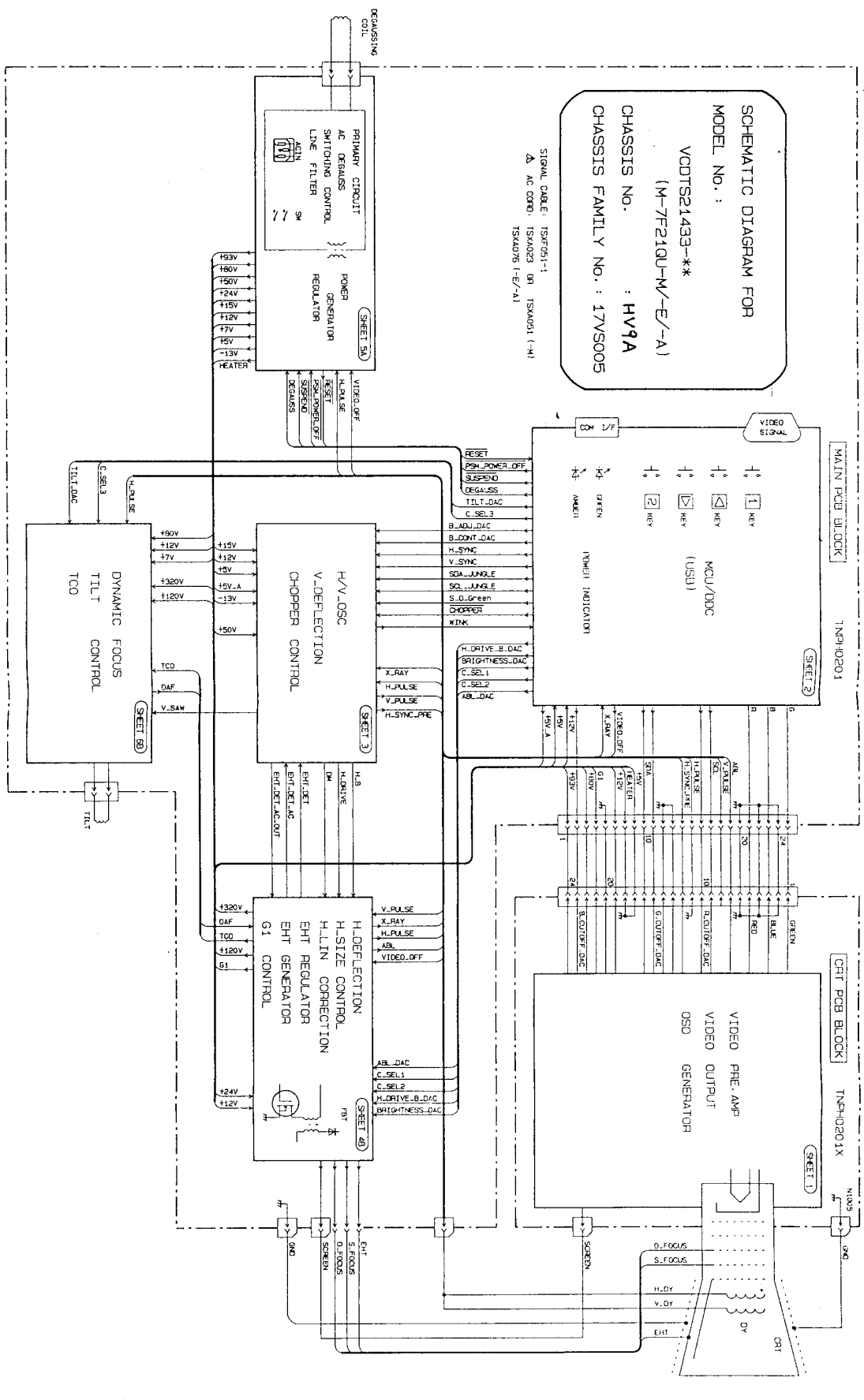


SCHEMATIC DIAGRAM FOR
 MODEL No. :
 VDCTS21433-**-
 (M-7F21QU-M/-E/-A)
 CHASSIS NO. : HV9A
 CHASSIS FAMILY NO. : 17V5005

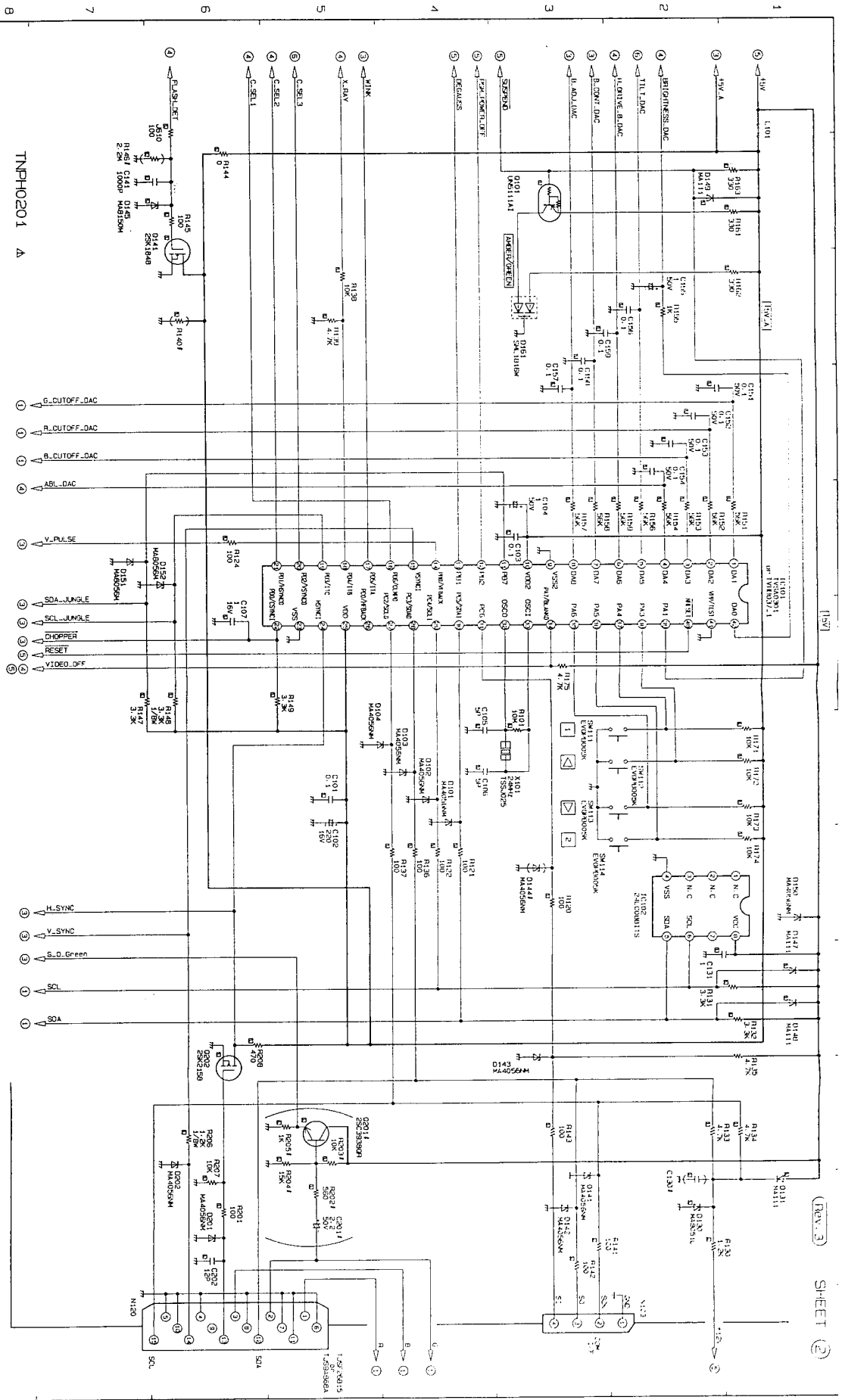
SIGNAL CABLE : 15CF051-1
 AC CORD : ISKA023 OR ISKA051 (-M)
 ISKA075 (-E/-A)



| REVISION | DATE | BY | CHKD | DESCRIPTION |
|----------|------|----|------|-------------|
| 1 | | | | |
| 2 | | | | |
| 3 | | | | |
| 4 | | | | |
| 5 | | | | |
| 6 | | | | |
| 7 | | | | |
| 8 | | | | |

| | | | |
|-------------|-----------|-------------|------------|
| DESIGNED BY | Y. Murata | DESIGNED BY | S. Nishida |
| CHECKED BY | H. Sasaki | CHECKED BY | H. Sasaki |
| DATE | 1990.3.7 | DATE | 1990.3.7 |
| REVISION | 1 | REVISION | 1 |
| DATE | | DATE | |
| BY | | BY | |
| CHKD | | CHKD | |
| DATE | | DATE | |
| BY | | BY | |
| CHKD | | CHKD | |
| DATE | | DATE | |
| BY | | BY | |
| CHKD | | CHKD | |
| DATE | | DATE | |

MATSUBITA ELECTRIC INDUSTRIAL CO., LTD.

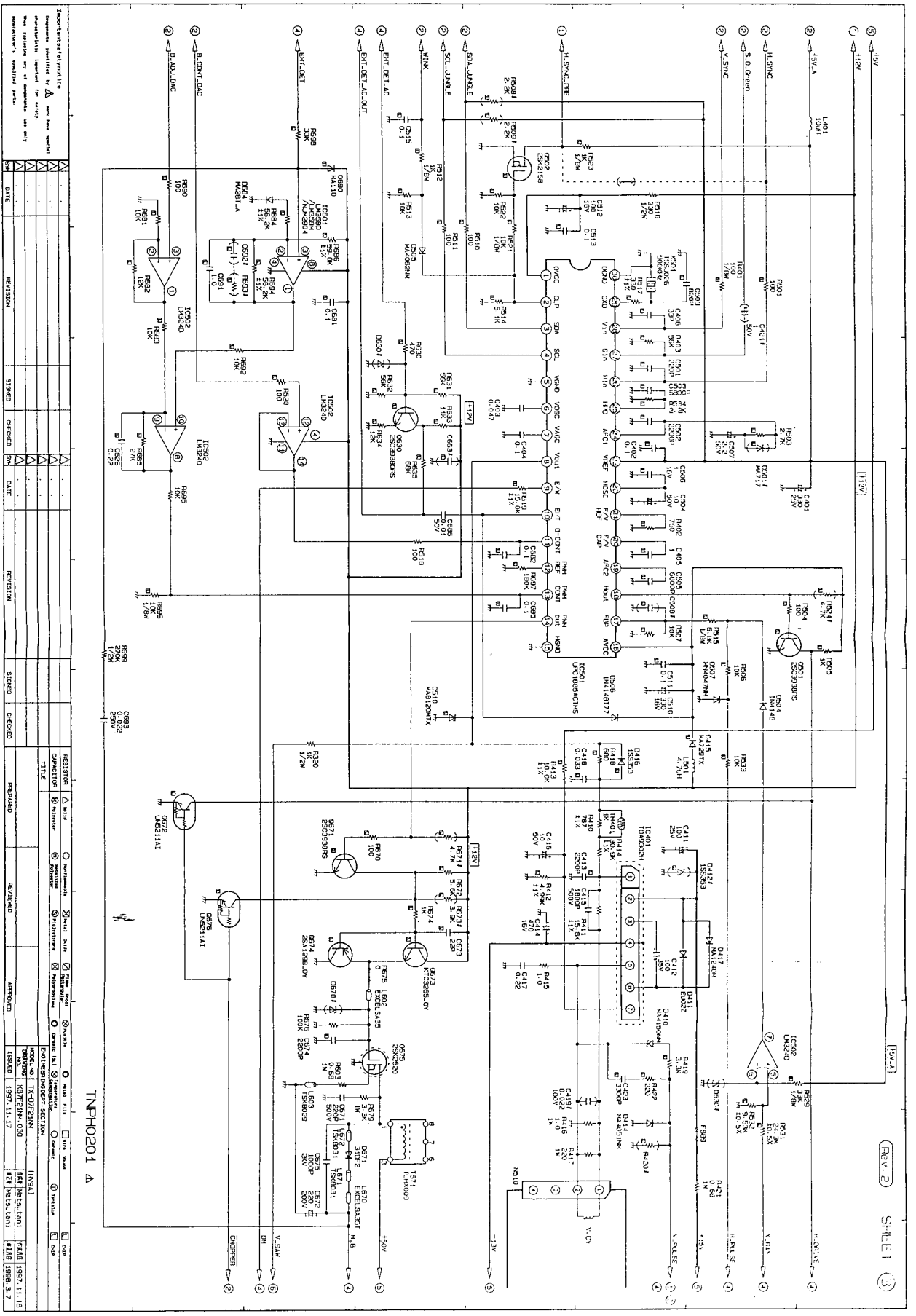


TNPH0201 A

| NO. | DATE | REVISION | BY | CHKD | APPROVED |
|-----|------------|----------|----|------|----------|
| 1 | 1997.11.17 | INITIAL | | | |
| 2 | 1997.11.17 | REVISED | | | |
| 3 | 1997.11.17 | REVISED | | | |
| 4 | 1997.11.17 | REVISED | | | |
| 5 | 1997.11.17 | REVISED | | | |
| 6 | 1997.11.17 | REVISED | | | |
| 7 | 1997.11.17 | REVISED | | | |
| 8 | 1997.11.17 | REVISED | | | |

MAHARISHI ELECTRIC INDUSTRIAL CO., LTD.

(REV. 3) SHEET (2)



| NO. | DATE | REVISION | BY | CHKD | REASON |
|-----|------------|----------|----------|----------|----------------|
| 1 | 1977.11.17 | 1 | Y. HIRAI | Y. HIRAI | INITIAL DESIGN |
| 2 | 1978.03.03 | 2 | Y. HIRAI | Y. HIRAI | REVISION |
| 3 | 1978.03.03 | 3 | Y. HIRAI | Y. HIRAI | REVISION |
| 4 | 1978.03.03 | 4 | Y. HIRAI | Y. HIRAI | REVISION |
| 5 | 1978.03.03 | 5 | Y. HIRAI | Y. HIRAI | REVISION |
| 6 | 1978.03.03 | 6 | Y. HIRAI | Y. HIRAI | REVISION |
| 7 | 1978.03.03 | 7 | Y. HIRAI | Y. HIRAI | REVISION |
| 8 | 1978.03.03 | 8 | Y. HIRAI | Y. HIRAI | REVISION |

TNPH0201 A
 MAZDA ELECTRIC INDUSTRIAL CO., LTD.
 MODEL: TNPH0201 A
 DRAWING: TNPH0201 A-030
 DATE: 1977.11.17
 DRAWN: Y. HIRAI
 CHECKED: Y. HIRAI
 APPROVED: Y. HIRAI

