

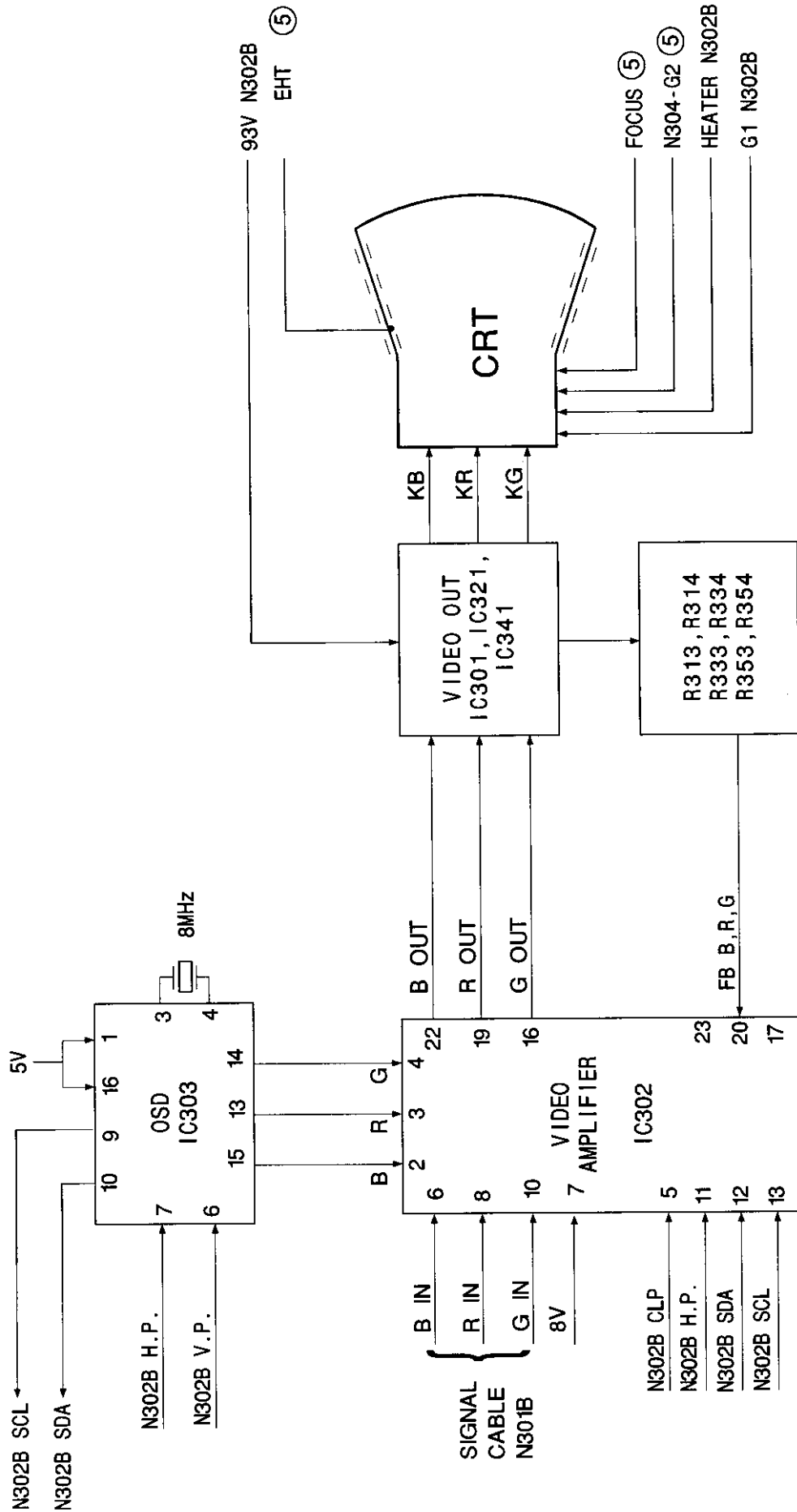
FILED
MAY 14 1999

EXHIBIT 4

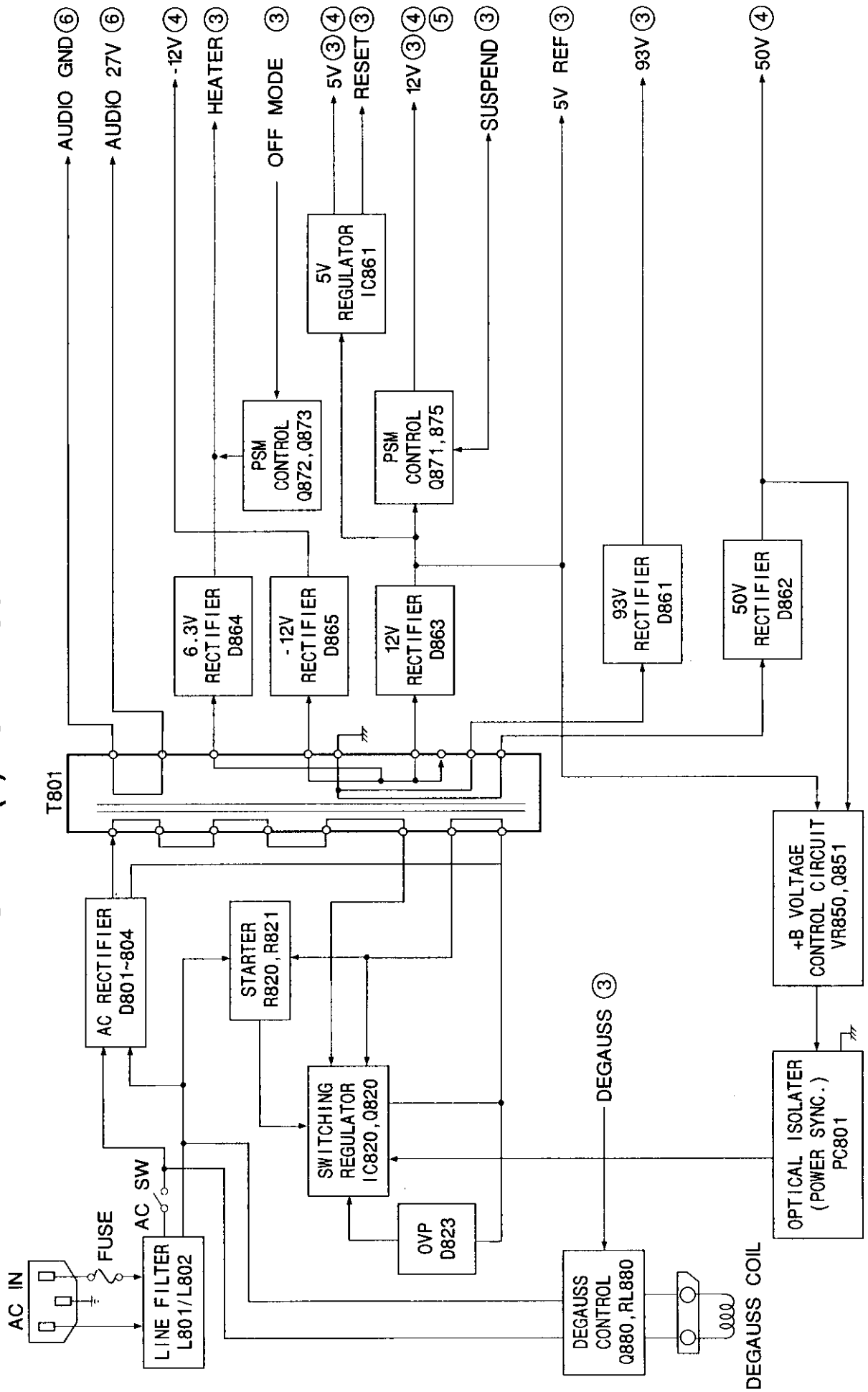
Block Diagram

BLOCK DIAGRAM **Model No:VCDT S21403-2 ***

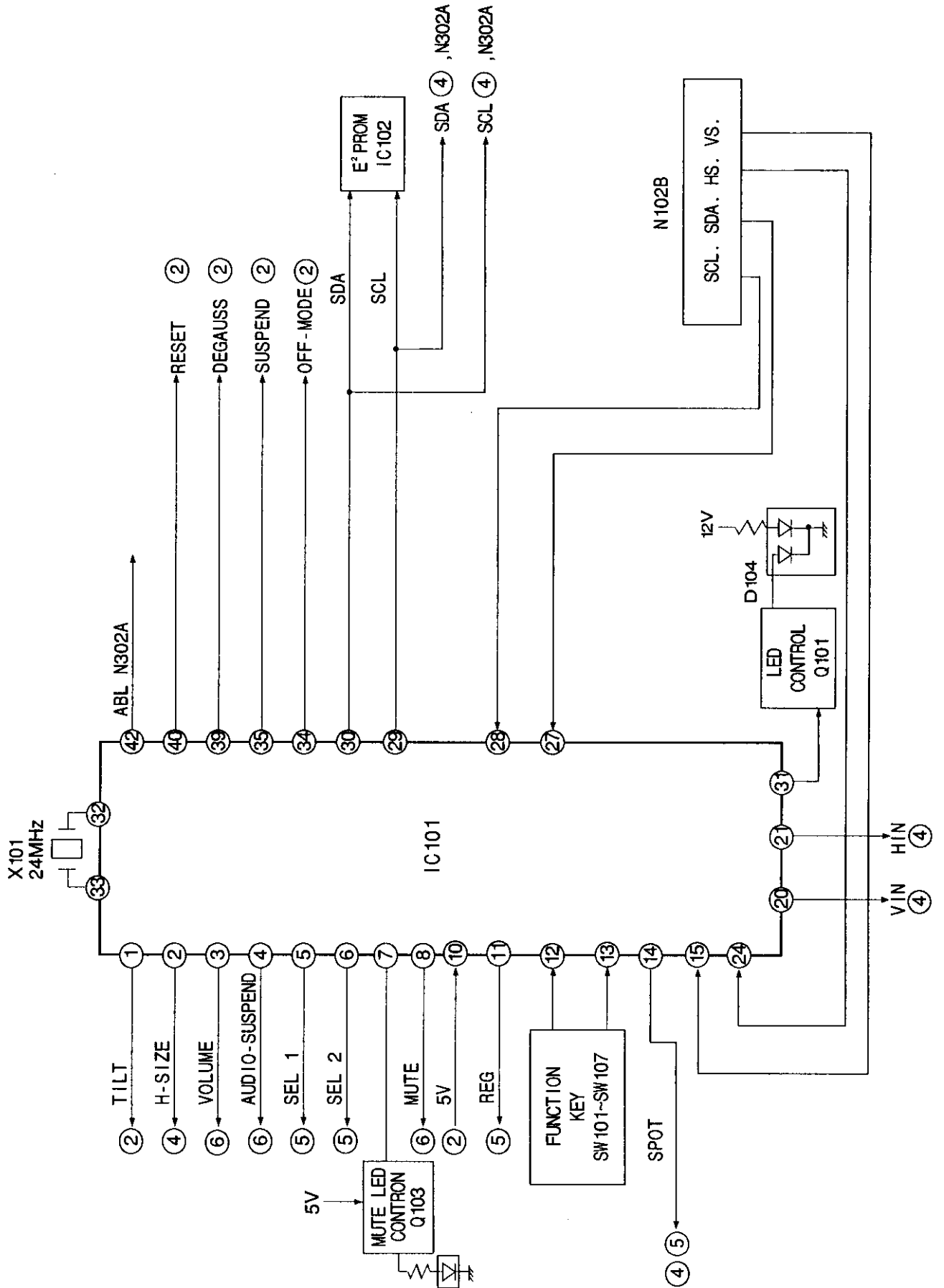
SHEET (1) VIDEO OUT



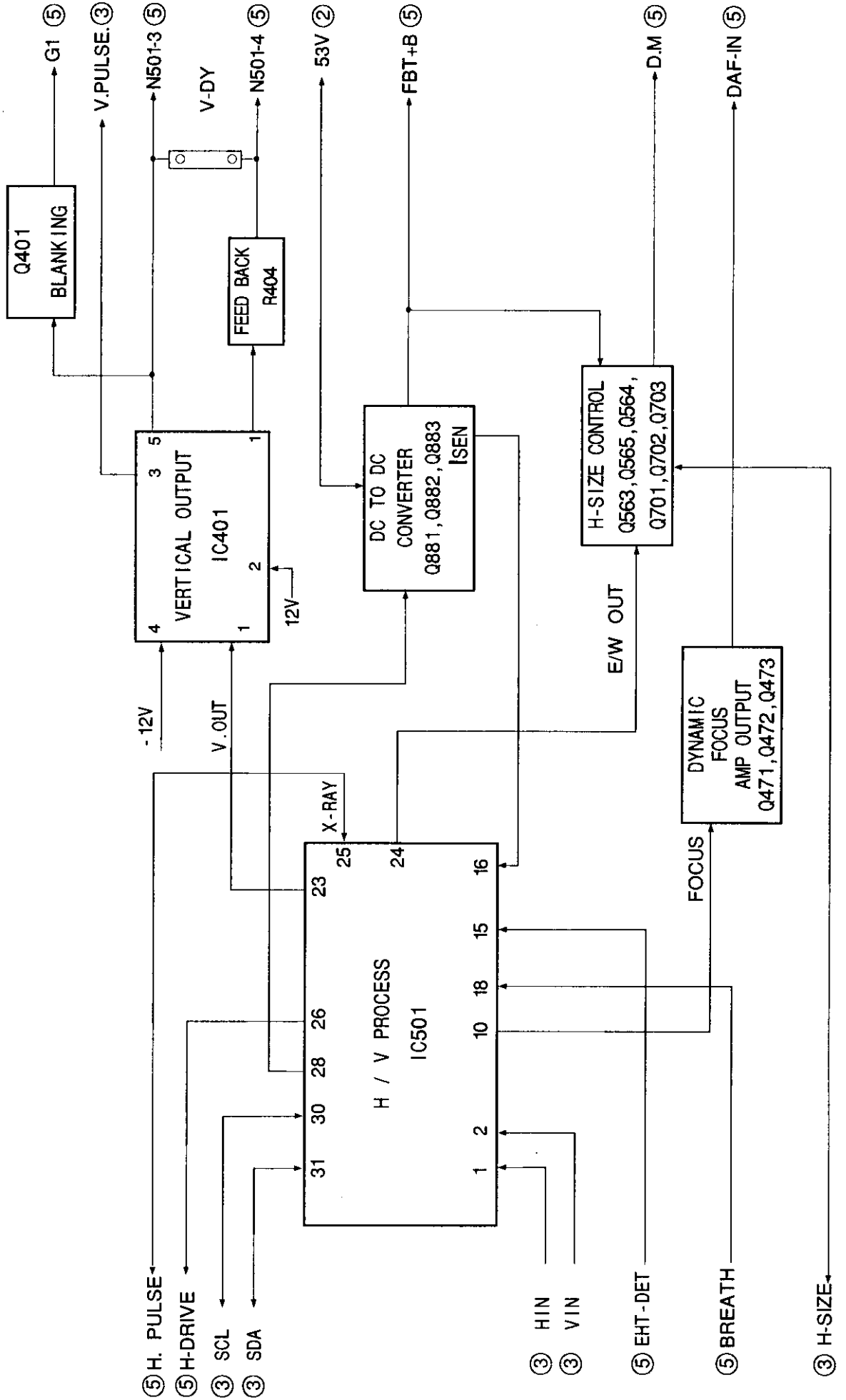
SHEET (2) POWER SUPPLY



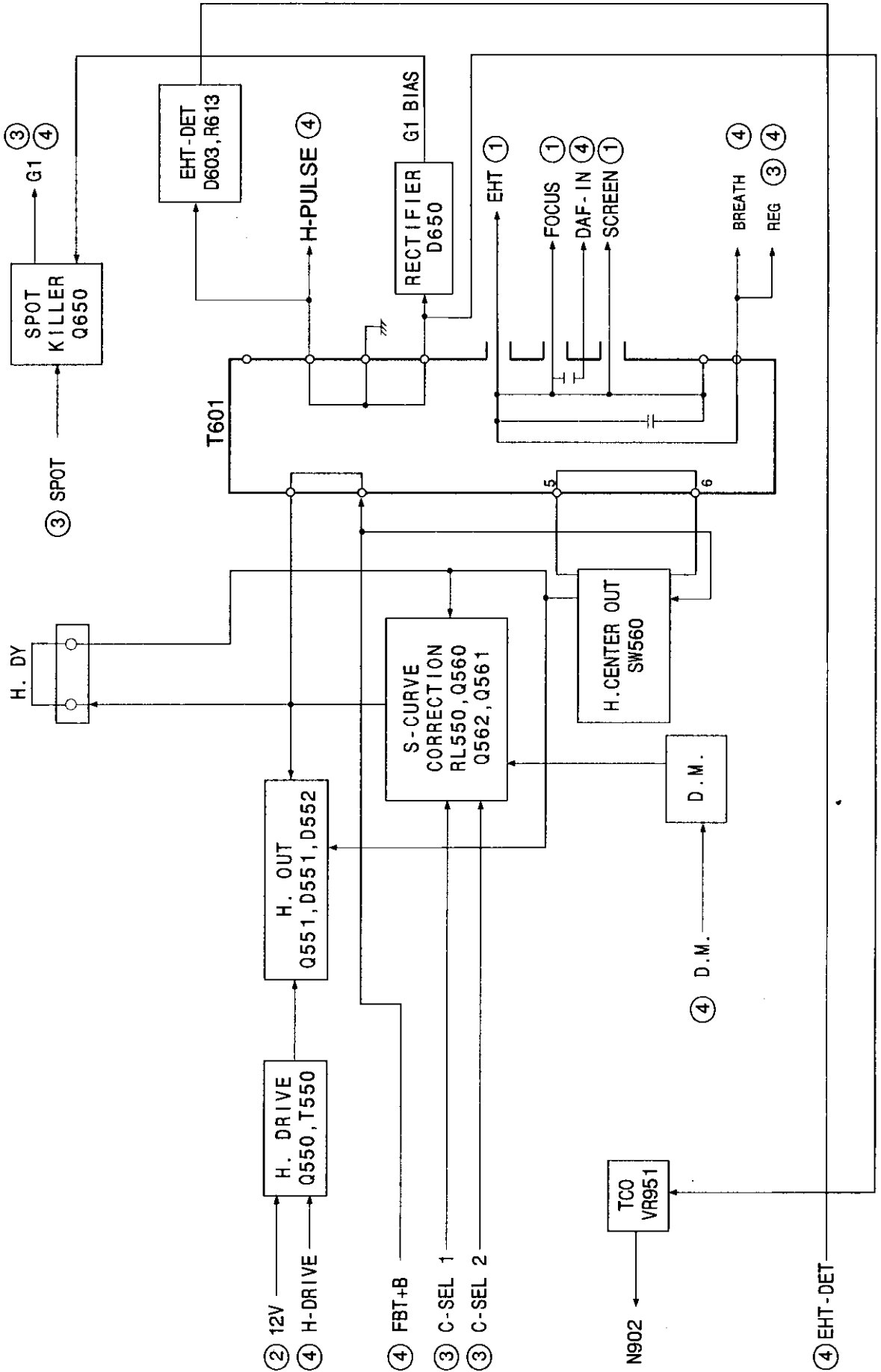
SHEET (3) MCU / SIGNAL INPUT



SHEET (4). H / V PROCESS / V. OUTPUT



SHEET (5) H OUTPUT / GEOMETRY CONTROL



SHEET (6) AUDIO OUTPUT

