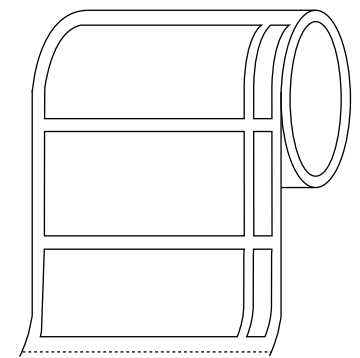
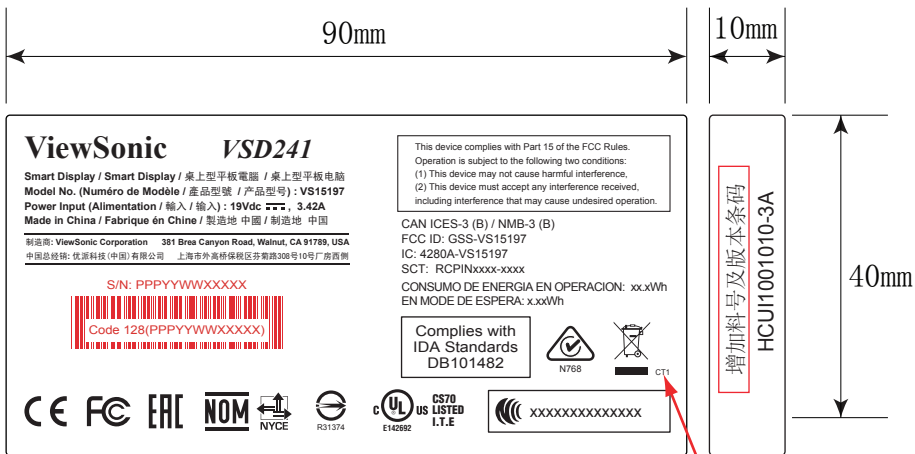


REVISIONS			
LTR	DESCRIPTION	DATE	APP
3A			



- Note:
- MATERIAL: 50#不变色反银龙+25#可打印雾P
 - ADHESIVE BASE: ACRYLIC
 - BACKGROUND COLOR: ORIGINAL
 - TEXT COLOR: BLACK
 - CCC: 白底黑字, 长: 5.3mm 高: 4mm
 - 红色部份为工厂列印
 - FILE NO.: HCUI1001010

ITEM	PART NO.	DESCRIPTION					
1	HCUI1001010	RATING LABEL PL UI1A(HCUI1001R3A)					
Quanta Computer Inc.		MODEL UI1A					
RANGE	TOLERANCE	NAME	RATING LABEL PL UI1A			APPROVED	
0-10	±0.10	TOL.±	1 PLC	2 PLC	ANGLE	UNIT MM	DESIGNED KENT
10-50	±0.15	MATERIAL	50#不变色反银龙+25#可打印雾P			SCALE 1:1	DRAWN KENT
50-100	±0.20	FINISH	DATE 2013-05-02			REV. 3A	
100-	±0.25	A4	THIRD ANGLE PROJECTION			DWG NO. HCUI1001	1/1

