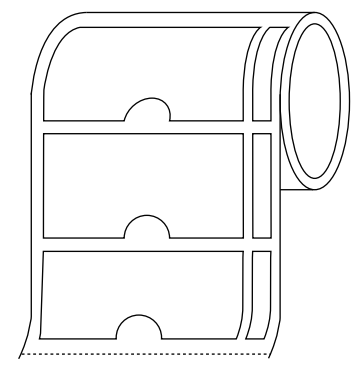
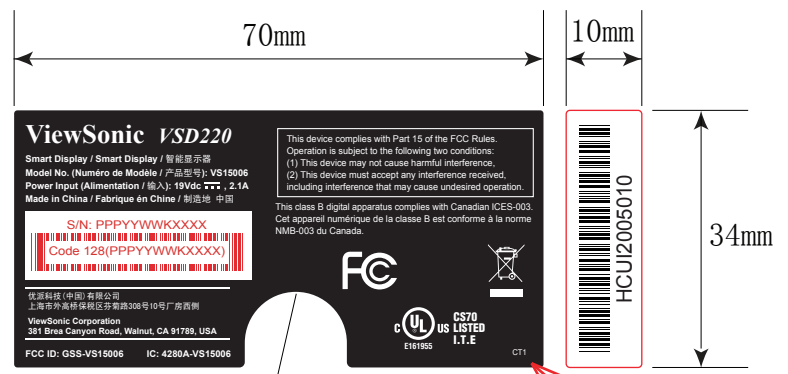


REVISIONS			
LTR	DESCRIPTION	DATE	APP
3B			
3C			
3D			



Φ 13.5mm

Label vender's trademark

- Note:**
- 1.MATERIAL: 50#不变色反银龙+25#可打印透明特多龙
  - 2.ADHESIVE BASE:ACRYLIC
  - 3.BACKGROUND COLOR:BLACK
  - 4.TEXT COLOR:SILVER
  - 5.红色部份为工厂列印
  - 6.FILE NO.: HCUI2005010

1	HCUI2005010	RATING LABEL_PL-VSC UI2A(HCUI2005,R3A)							
ITEM	PART NO.	DESCRIPTION							
Quanta Computer Inc.								MODEL UI2A	
RANGE	TOLERANCE	NAME	RATING LABEL_PL-VSC UI2A				UNIT	MM	APPROVED
0-10	±0.10	TOL.±	1 PLC	2 PLC	ANGLE			DESIGNED KENT	
10-50	±0.15	MATERIAL	50#不变色反银龙+25#可打印透明特多龙				SCALE	1:1	DRAWN KENT
50-100	±0.20	FINISH					DATE	2012-07-02	REV. 3A
100-	±0.25	A4	THIRD ANGLE PROJECTION				DWG NO.	HCUI2005	1/1

