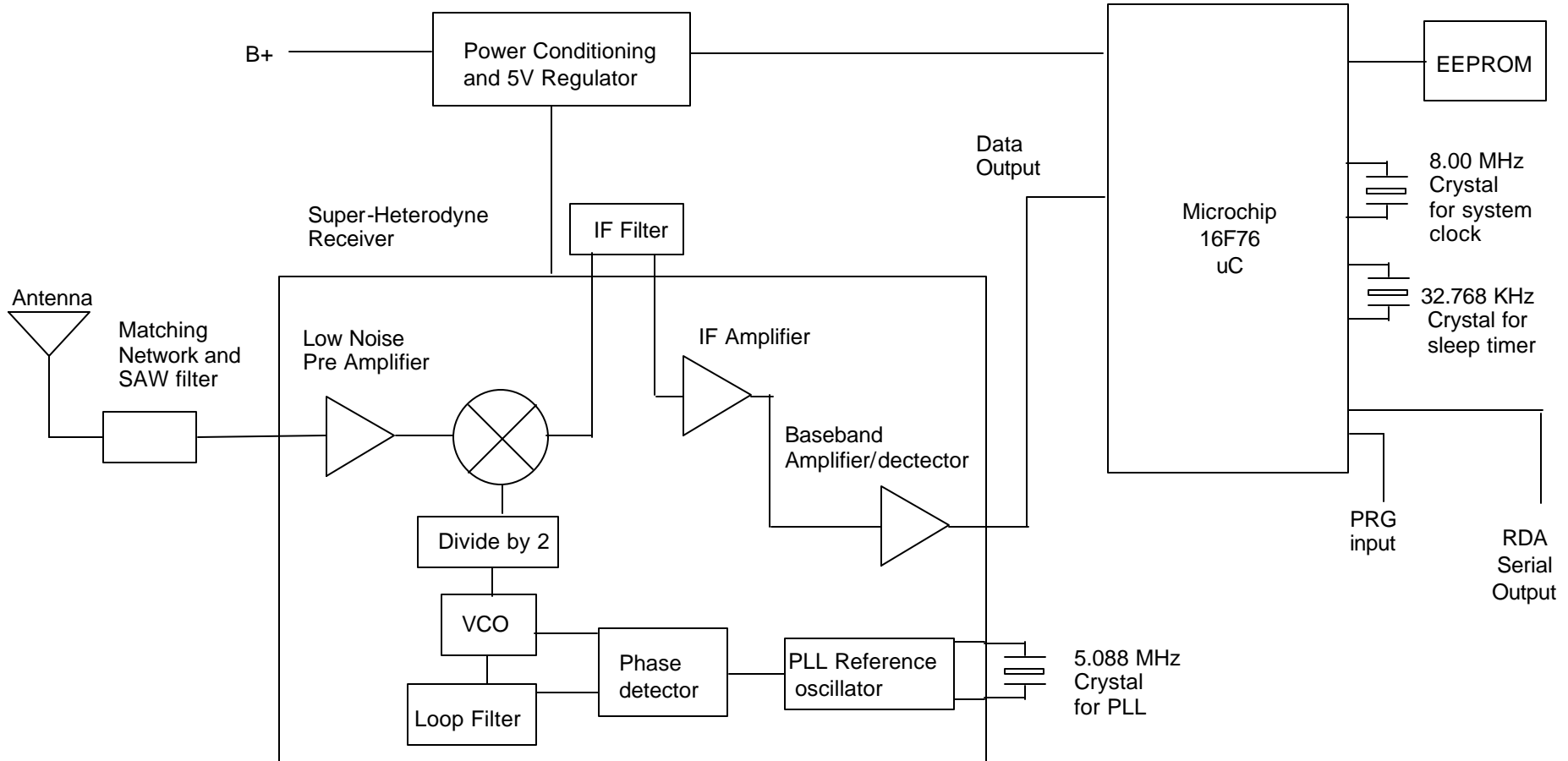


Toyota 500N/592N Super-heterodyne Receiver



Supply Voltage: 12 V
 I Continuous: 3.0 mA max (continuous or via power cycling)
 Bandwidth: 400 KHz @ -3dB
 Center Frequency: 315 MHz

TRW Proprietary