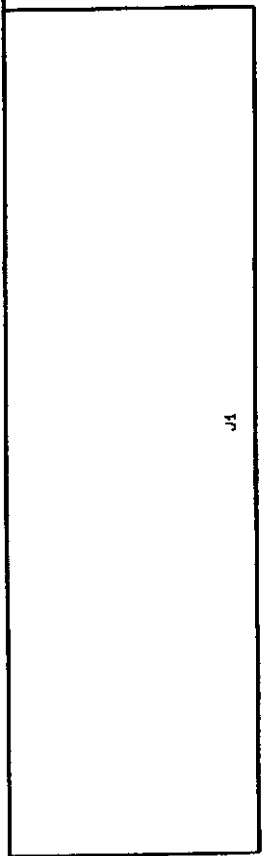
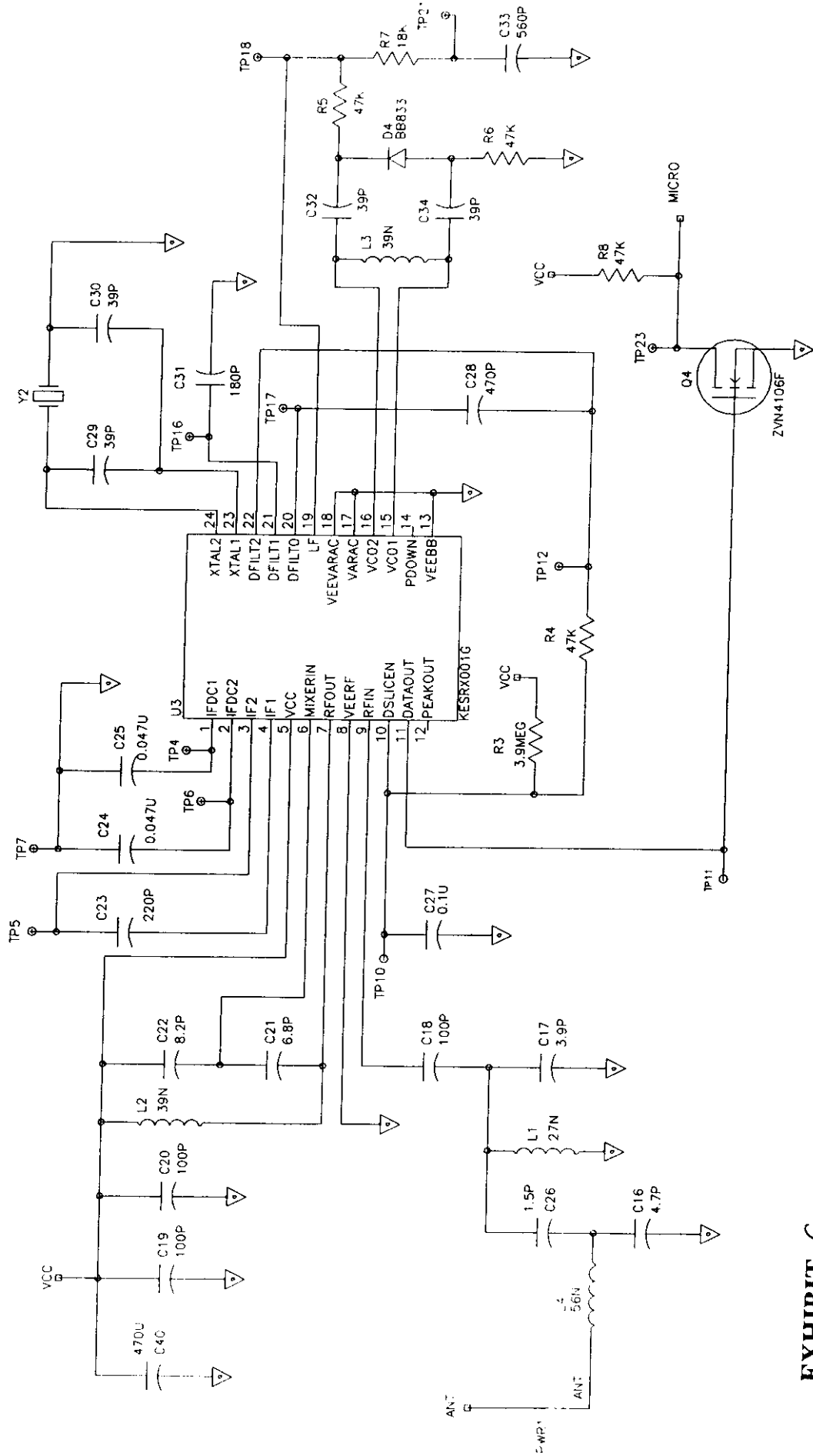


EXHIBIT H
 Page 2 of 2
 U of Mich file 415031-982




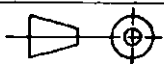
J4

TRW Automotive Electronics Group
 MY99 VN127 RKE Receiver



A/R	200983-1	SOLDER, T1M, PASTE; 63/37; FP				57
A/R	1030817	SOLDER, T1M, BAR; 63/37				56
1	204743-1	PCB: FORD; 99 VN127 RKE	REF			55
1	150202-1	TRANS: ZVN4106F; NFET; SOT-23; S	SMD	Q4		54
1	1020206	TRANS: MMBTA06LT1; NPN; SOT-23; S	SMD	Q2		53
1	150241-1	TRANS: DTC1432K; NPN; SOT-23; S	SMD	Q1		52
1	1025091	DIODE; ZNR; MMBZ526J; 47; 225MM; SM	SMD	ZD2		51
1	1025090	DIODE; ZNR; MMBZ523B; 8.7; 225MM; S	SMD	ZD1		50
2	1005973	DIODE; SIG; MMB0914L; 70; 225MM; SM	SMD	D5 D8		49
1	200812-1	DIODE; VAR; BB833; 30; 20MA; SM	SMD	D4		48
2	200817-2	COIL; INDUCT; F; 39H; 5; 2520	SMD	L2 L3		47
1	200817-1	COIL; INDUCT; F; 27H; 5; 2520	SMD	L1		46
1	150895-20	COIL; INDUCT; F; 56H; 5; 2012	SMD	L4		45
3	102787B	DIODE; BRG; 1SR154-400; 400; 1.0A;	SMD	D1 D2 D3		44
1	1028090	RES; CR; 1210; 0.51; 5; 1/4; A	SMD	R32		43
2	1025941	RES; CR; 0805; 3.3K; 5; 1/10; C	SMD	R30 R31		42
6	1025989	RES; CR; 0805; 330K; 5; 1/10; C	SMD	R16 R18 R19 R21 R23 R25		41
7	1025963	RES; CR; 0805; 27K; 5; 1/10; C	SMD	R15 R17 R20 R22 R24 R26 R29		40
2	1025977	RES; CR; 0805; 100K; 5; 1/10; C	SMD	R13 R14		39
2	1026001	RES; CR; 0805; 1MEG; 5; 1/10; C	SMD	R11 R28		38
1	1025964	RES; CR; 0805; 30K; 5; 1/10; C	SMD	R10		37
2	1025958	RES; CR; 0805; 18K; 5; 1/10; C	SMD	R7 R27		36
5	1025969	RES; CR; 0805; 47K; 5; 1/10; C	SMD	R4 R5 R6 R8 R12		35
1	150292-1	RES; CR; 0805; 3.9MEG; 5; 1/10; C	SMD	R3		34
2	1025953	RES; CR; 0805; 10K; 5; 1/10; C	SMD	R1 R9		33
1	1005872	CAP; CERAM; 1210; 0.1U; 10; 100	SMD	C36		32
14	1005604	CAP; CERAM; 1206; 0.01U; 10; 100	SMD	C3 C4 C5 C6 C7 C8 C9 C10 C11 C12 C13 C37 C38 C39		31
2	1008039	CAP; CERAM; 1206; 0.1U; 20; 50	SMD	C1 C2		30
1	200761-56	CAP; CERAM; 0805; 560P; 5; 50	SMD	C33		29
1	200761-20	CAP; CERAM; 0805; 180P; 5; 50	SMD	C31		28
4	200760-44	CAP; CERAM; 0805; 39P; 5; 50	SMD	C29 C30 C32 C34		27
1	200761-51	CAP; CERAM; 0805; 470P; 10; 50	SMD	C28		26
1	201118-1	CAP; CERAM; 0805; 0.1U; 5; 50	SMD	C27		25
1	200759-13	CAP; CERAM; 0805; 1.5P; 7; 50	SMD	C26		24
2	1028387	CAP; CERAM; 0805; 0.047U; 10; 50	SMD	C24 C25		23
1	200761-26	CAP; CERAM; 0805; 220P; 5; 50	SMD	C23		22
1	200759-67	CAP; CERAM; 0805; 8.2P; 1; 50	SMD	C22		21
1	200759-62	CAP; CERAM; 0805; 6.8P; 4; 50	SMD	C21		20
3	200761-2	CAP; CERAM; 0805; 100P; 5; 50	SMD	C18 C19 C20		19
1	200759-43	CAP; CERAM; 0805; 3.9P; 3; 50	SMD	C17		18
1	200759-49	CAP; CERAM; 0805; 4.7P; 2; 50	SMD	C16		17
1	151571-1	CAP; ALIC; FD; 470U; 20; 16	SMD	C40		16
2	1005874	DIODE; SIG; BANS6L; 70; 50MA; SM	SMD	D6 D7		15
1	200806-1	IC; ASIC; KE8FX0016; 550P; 24	SMD	U3		14
1	200739-2	CRYSTAL; QTZ; 4.5MEG; 50PPM; SM	SMD	Y2		13
1	150319-1	IC; EEPROM; 24AA01-SN; SOIC; B	SMD	U7		12
1	151418-1	IC; MICRO; FD; HY99; VN127 RKE	SMD	U5		11
1	150074-1	IC; REG; CS-8101; SOIC; 8	SMD	U2		10
1	1027641	IC; DRIVER; MC141380R2; SOIC; 16	SMD	U6		9
1	1022889	IC; LOGIC; MC145848; SOIC; 14	SMD	U1		8
1	1020373	IC; COMPAR; LM2903D; SOIC; 8	SMD	U4		7
1	1005295	TRANS; ZTX604; NPN; TO-92; P	RAD	Q3		6
6	1031225	RELAY; POWR; SPDT; 90C; PCB	HAND	K1 K2 K3 K4 K5 K7		5
1	1020541	CRYSTAL; SYN; CST4; 4MHZ; .01; TRH	RAD	Y1		4
1	1005114	CAP; ALIC; FD; 4.7U; 20; 100	RAD	C35		3
2	1005090	CAP; ALIC; FD; 10U; 10; 16	HAND	C14 C15		2
1	1004554	CONN; AMP; E7EB-14A624-AA; 26; P; P	HAND	J1		1

PARTS LIST

PROPRIETARY NOTICE THESE DOCUMENTS, AND THE INFORMATION CONTAINED HEREIN ARE PROPRIETARY AND ARE NOT TO BE REPRODUCED, LOANED, OR DISCLOSED TO OTHERS FOR MANUFACTURE OR FOR ANY OTHER PURPOSE, EXCEPT AS SPECIFICALLY AUTHORIZED IN WRITING BY THE AUTOMOTIVE ELECTRONICS GROUP.		UNLESS OTHERWISE SPECIFIED DIMENSIONS ARE IN INCHES TOLERANCES ON 2 PLACES .0001 3 PLACES .0005 ANGLE .1°		APPROVAL DRAWN J. L. BABCOCK ENGR J. R. COSTELLO APPROV S. J. LUCY CO. ENG. MGMT S. EVANS		DATE 07-05-98 06-20-98 05-20-98 05-20-98		Automotive Electronics Group 24175 Research Drive Farmington Hills, MI 48335-2642			
INTERPRET DIMENSIONS AND TOLERANCES PER ASME Y14.5M-1994 INTERPRET SURFACE FINISH, ETC PER ASME Y14.5 SURFACE ROUGHNESS HEIGHT IN MICROINCHES DO NOT SCALE		THIRD ANGLE PROJECTION 		TITLE ASSY; FORD; 99 VN127 RECEIVER		SIZE D		QWS NO 204506		REV. B	
				SCALE 2:1		SHEET 1 OF 3					

PCAD 8.5

TRW Automotive Electronics Group
MY99 VN127 RKE Receiver

