



Transmitter Block Diagram

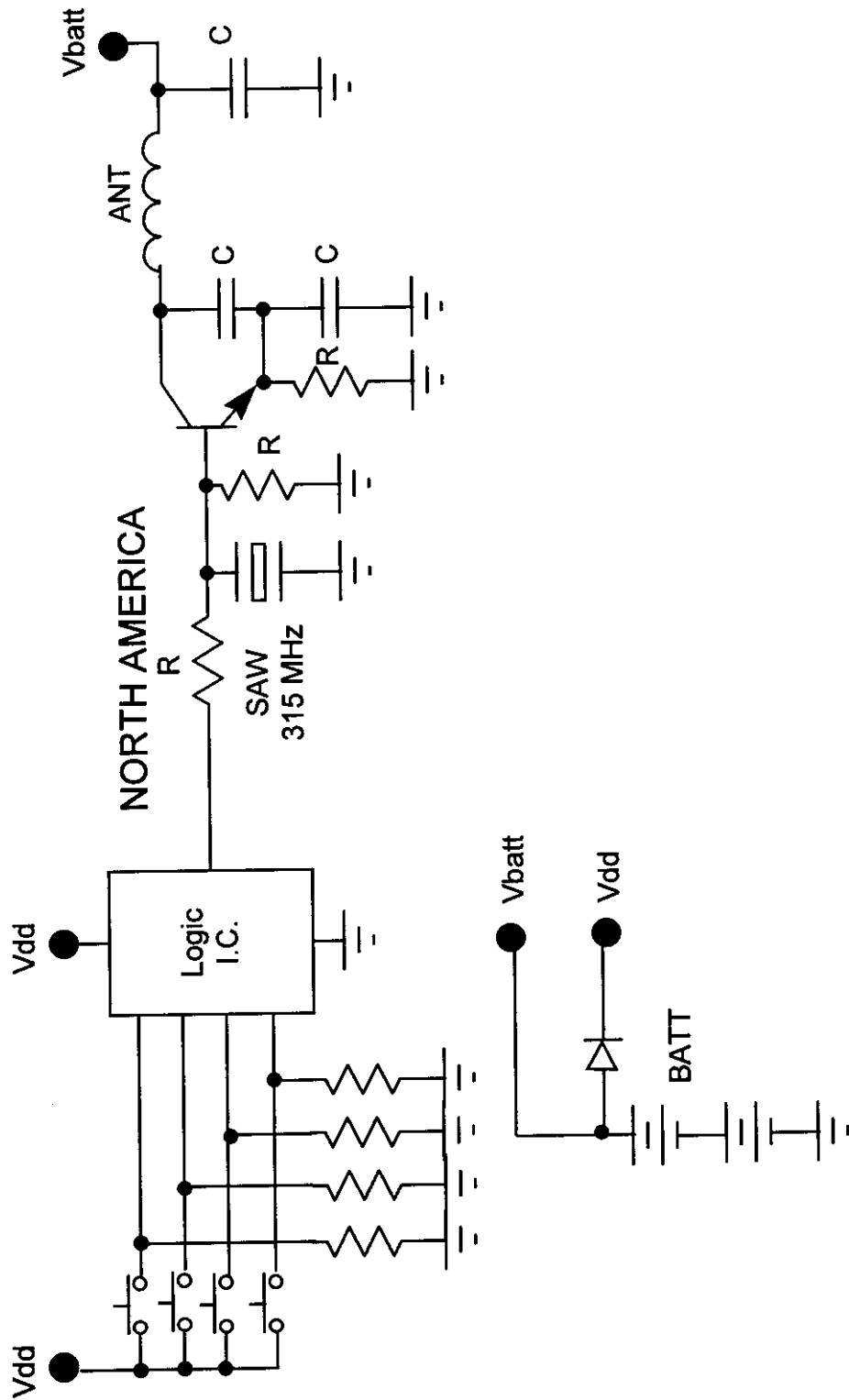


EXHIBIT 6
Page 1 of 2
U of Mich file 415031-964