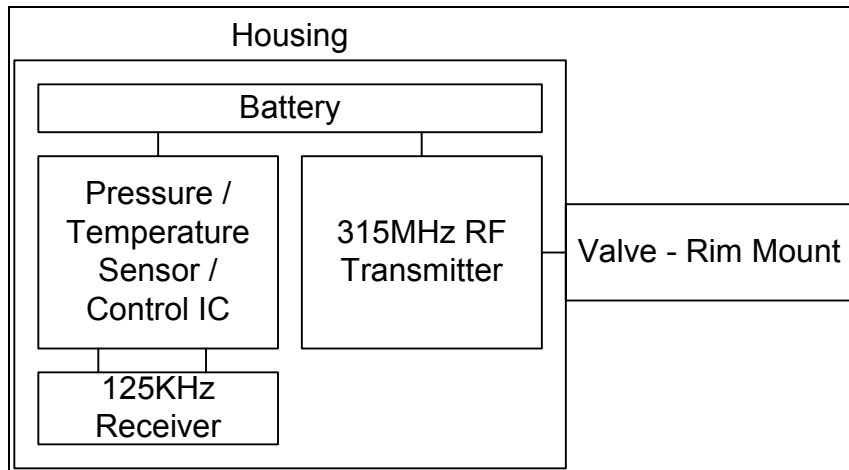




RE: Certification for TRW TPM '04 Sensor

Model #: 42753-S3V-A0  
FCC ID: GQ43-21T  
Canada IC: 1470A-2T

**BLOCK DIAGRAM**



**Figure 2. TPM Sensor Block Diagram**