

January 31, 2019



BCS Automotive Interface Solutions
BCS Access Systems US,LLC
34605 W 12 Mile Road
Farmington Hills, MI 48331
Tel 248.478.7210
Fax 248.699.4241

RE: Certification for Toyota MY2020 Highlander and MY2021 Sienna Sensor
FCC ID: GQ4-75T
Canada IC: 1470A-56T
HVIN 338130

FCC/IC IDENTIFIER AND MODEL NUMBER

Please see Figure 1 for the FCC/IC Identifier location.

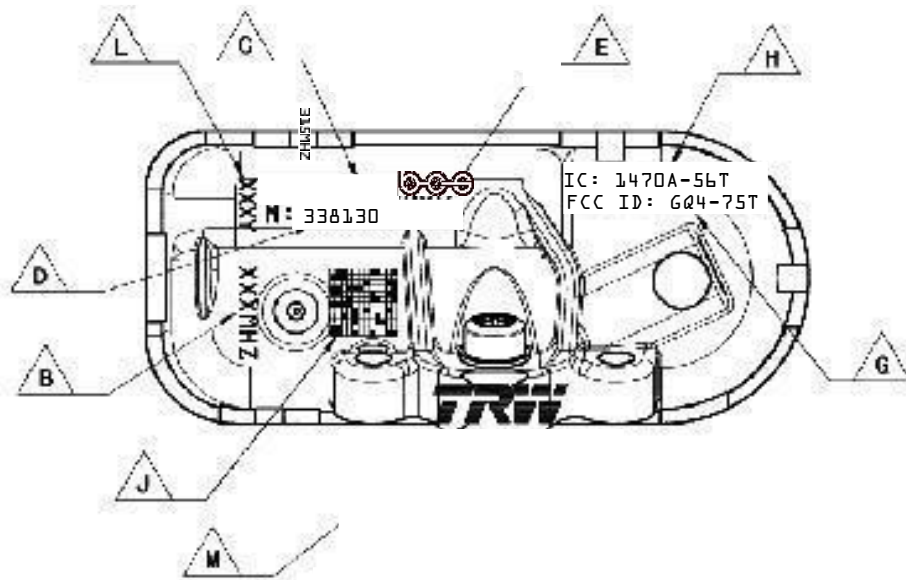


Figure 1: Identifier Location

