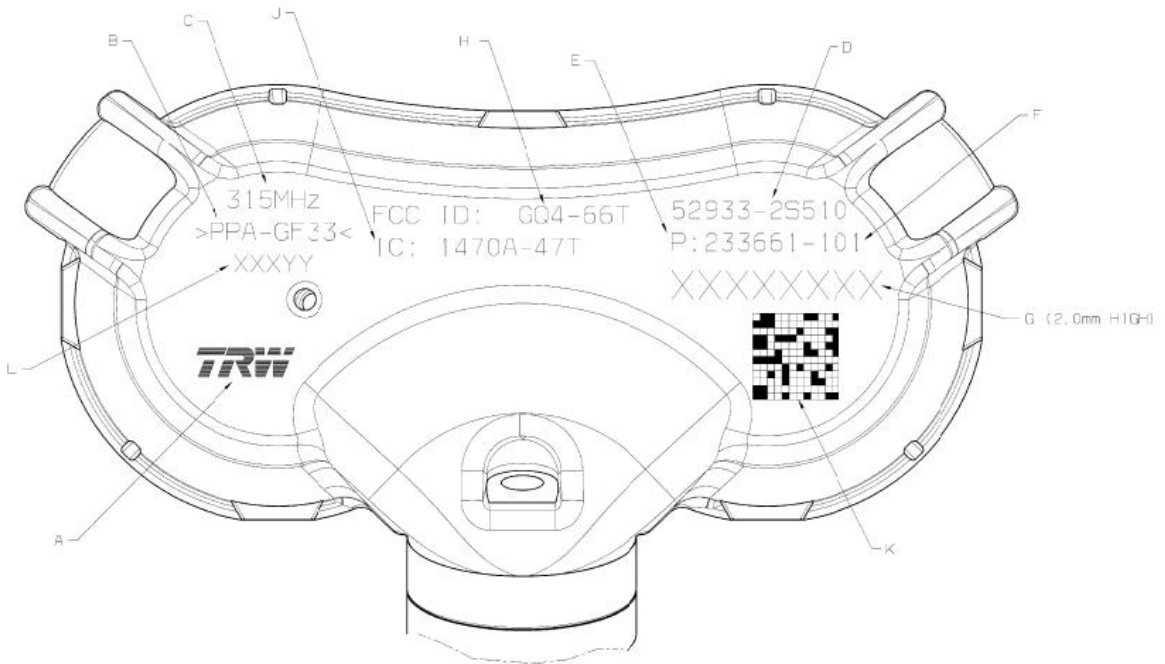


June 18, 2013

GEE
 24175 Research Dr.
 Farmington Hills, MI 48335-2642
 Tel 248.478.7210
 Fax 248.699.4241

RE: Certification for HKMC FACI TPMS LM/SL FL FSK 315MHz TX
 Part Number #: 233661-101
 Model# : 66T
 FCC ID: GQ4-66T
 Canada IC: 1470A-47T



ITEMS TO BE LASER MARKED		
A	TRW LOGO	TRW
B	RECYCLE CODE	>PPA-GF3<
C	FREQUENCY	315MHz
D	HKMC PART NUMBER	52933-2S510
E	TRW PART NUMBER	233661
F	ASSEMBLY VERSION NUMBER	-101
G	TRANSMITTER SERIAL NUMBER	XXXXXXXXXX
H	FCC ID	GQ4-66T
J	CANADIAN ID	1470A-47T
K	2D BARCODE (OPTIONAL)	
L	DATE CODE (XXX=DAY, YY=YEAR)	XXXYY

Laser Marking Chart