

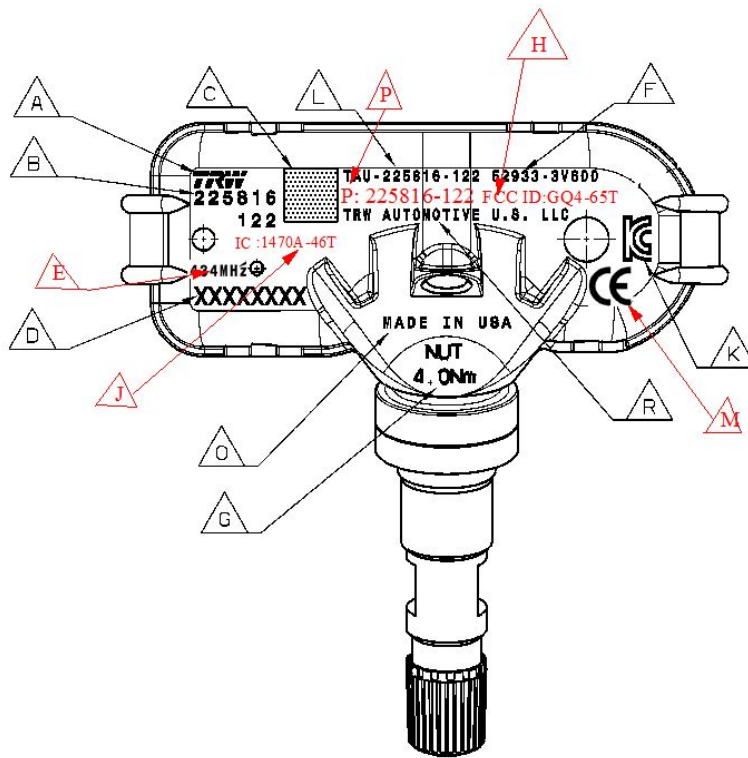
April 17, 2013

TEE
24175 Research Dr.
Farmington Hills, MI 48335-2642
Tel 248.478.7210
Fax 248.699.4241

RE: Certification for HKMC MY2014 Hybrid TPMS
Model #: 225816-122, 225816-131
FCC ID: GQ4-65T
Canada IC: 1470A-46T

FCC/IC IDENTIFIER AND MODEL NUMBER

Please see Figure 1 for the FCC/IC Identifier location.

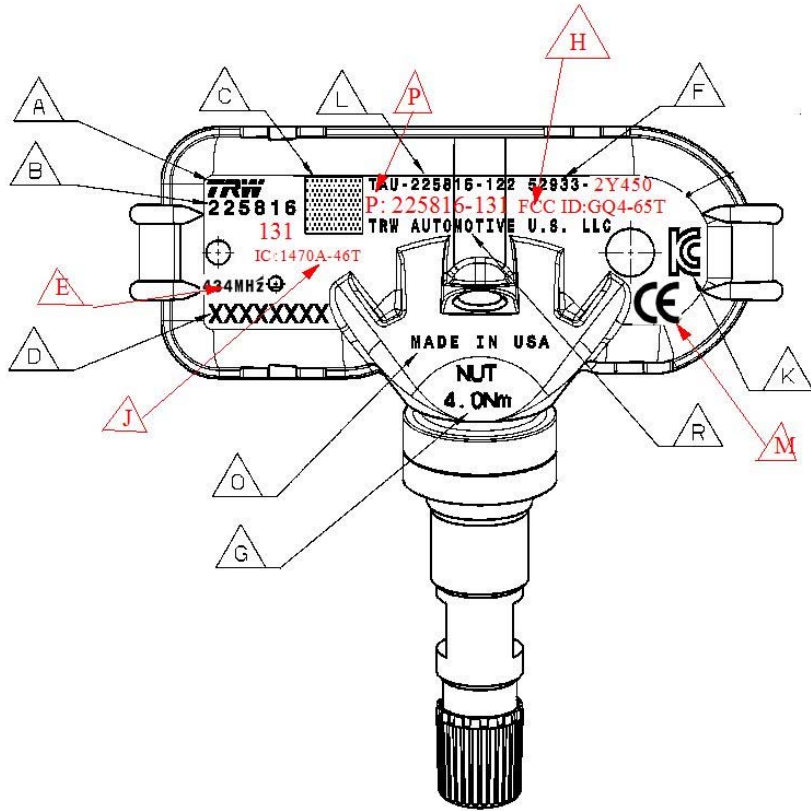


225816-122

Figure 1: Identifier Location

ITEMS TO BE LASER MARKED		
A	TRW LOGO	TRW
B	TRW PART NUMBER	225816-122
C	2D BAR CODE	(6X6)
D	TRANSMITTER SERIAL ID	XXXXXXXXXX
E	FREQUENCY	434MHZ
F	CUSTOMER PART NUMBER	52933-3V600
G	NUT TIGHTENING TORQUE	NUT 4.0Nm
J	INDUSTRY OF CANADA CERTIFICATION NUMBER	IC :1470A-46T
K	KC LOGO	KC
L	KC ID	TAU-225816-122
M	CE LOGO	CE
O	MANUFACTURING NATION	MADE IN USA
P	SUPPLIER P/N FOR CANADIAN CERTIFICATION	225816-122
R	MANUFACTURERS ID	TRW AUTOMOTIVE U.S. LLC

Laser Marking Chart 225816-122



ITEMS TO BE LASER MARKED		
A	TRW LOGO	TRW
B	TRW PART NUMBER	225816-131
C	2D BAR CODE	(6X6)
D	TRANSMITTER SERIAL ID	XXXXXXXXXX
E	FREQUENCY	434MHZ
F	CUSTOMER PART NUMBER	52933-2Y450
G	NUT TIGHTENING TORQUE	NUT 4.0Nm
J	INDUSTRY OF CANADA CERTIFICATION NUMBER	IC :1470A-46T
K	KC LOGO	KC
L	KC ID	TAU-225816-122
M	CE LOGO	CE
O	MANUFACTURING NATION	MADE IN USA
P	SUPPLIER P/N FOR CANADIAN CERTIFICATION	225816-131
R	MANUFACTURERS ID	TRW AUTOMOTIVE U.S. LLC

Laser Marking Chart 225816-131