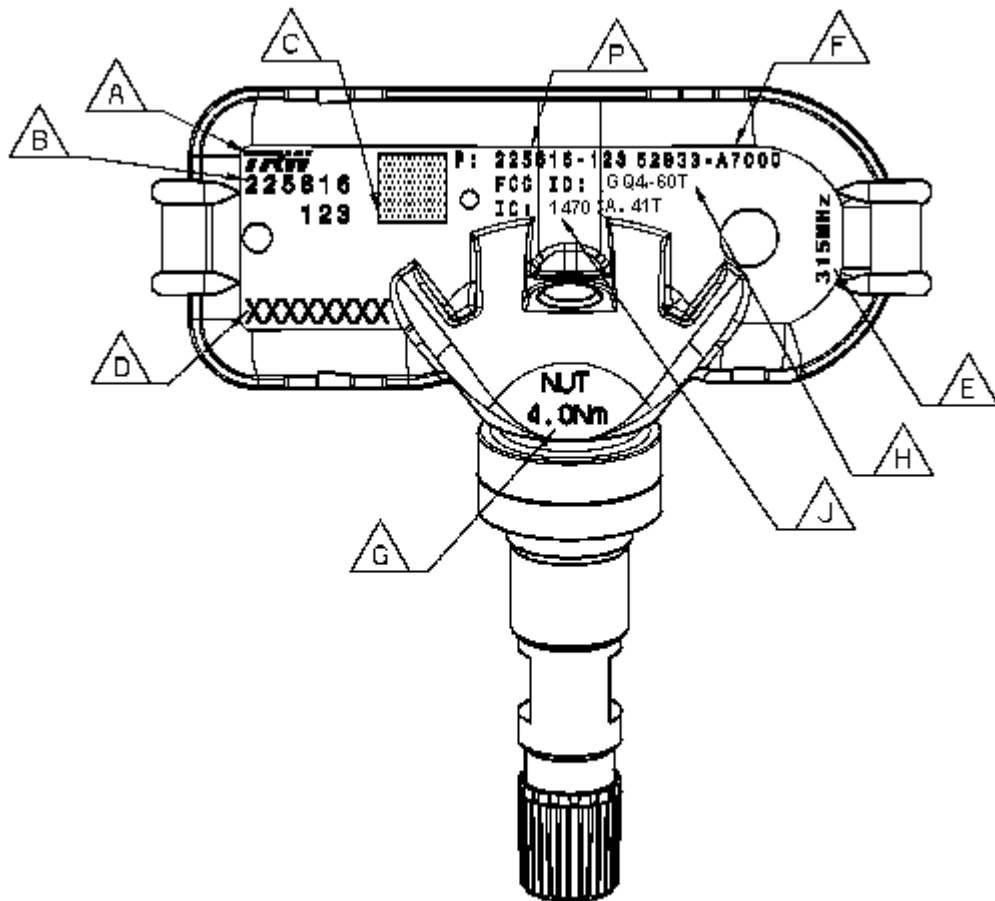


January 22, 2013

GEE
24175 Research Dr.
Farmington Hills, MI 48335-2642
Tel 248.478.7210
Fax 248.699.4241

RE: Certification for HKMC MY2013 315MHz MD/UB/UD TPM Sensor
Model #: 225816-123
FCC ID: GQ4-60T
Canada IC: 1470A-41T

There is no label for HKMC MY2013 315MHz MD/UB/UD TPM Sensor, only laser etching.



225816-123

ITEMS TO BE LASER MARKED		
A	TRW LOGO	TRW
B	TRW PART NUMBER	225816-123
C	2D BAR CODE	(6X6)
D	TRANSMITTER SERIAL ID	XXXXXXXXXX
E	FREQUENCY	315MHZ
F	CUSTOMER PART NUMBER	52933-3X200
G	NUT TIGHTENING TORQUE	NUT 4.0Nm
H	FCC ID	GQ4-60T
J	CANADIAN ID	1470A-41T
P	SUPPLIER PART NUMBER FOR CANADIAN CERTIFICATION	225816-123

Laser Marking Chart