

Amber Helm Development L.C.

92723 Michigan Hwy-152

Sister Lakes, Michigan 49047 USA

Tel: 888-847-8027

EMC Test Report

TRWRX-1702216RX

Issued: January 20, 2018

regarding

USA: CFR Title 47, Part 15.109 (Emissions)
Canada: ISED RSS-GEN (Verification) (Emissions)

for



337136

Category: Receiver

Judgements:

15.109 Compliant

Tested: January 19, 2018



NVLAP LAB CODE 200129-0

Prepared for:

TRW Automotive

24175 Research Drive, Farmington Hills Michigan 4835-2642 USA

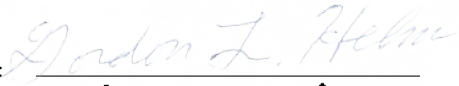
Phone: +1 (248) 699-4487

Fax: +1 (248) 699-4102

Contact: Mark Baker

mark.baker@zf.com

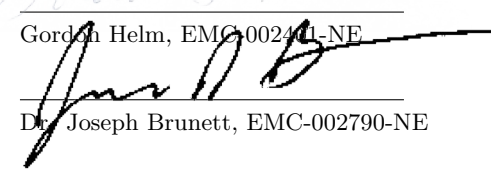
Data Recorded by:


Gordon Helm, EMC-002401-NE

Reviewed by:


Dave Miller, EMC-003027-NE

Prepared by:


Dr. Joseph Brunett, EMC-002790-NE

Date of Issue:

January 20, 2018

Revision History

Rev. No.	Date	Details	Revised By
r0	January 20, 2018	Initial Release.	J. Brunett

Contents

Revision History	2
Table of Contents	2
1 Test Report Scope and Limitations	4
1.1 Laboratory Authorization	4
1.2 Report Retention	4
1.3 Subcontracted Testing	4
1.4 Test Data	4
1.5 Limitation of Results	4
1.6 Copyright	4
1.7 Endorsements	4
1.8 Test Location	5
1.9 Traceability and Equipment Used	5
2 Test Specifications and Procedures	6
2.1 Test Specification and General Procedures	6
3 Configuration and Identification of the Equipment Under Test	7
3.1 Description and Declarations	7
3.1.1 EUT Configuration	7
3.1.2 Modes of Operation	7
3.1.3 Variants	7
3.1.4 Test Samples	7
3.1.5 Functional Exerciser	7
3.1.6 Modifications Made	8
3.1.7 Production Intent	8
3.1.8 Declared Exemptions and Additional Product Notes	8
4 Emissions	9
4.1 General Test Procedures	9
4.1.1 Radiated Test Setup and Procedures	9
4.1.2 Conducted Emissions Test Setup and Procedures	11
4.1.3 Power Supply Variation	11
4.2 Unintentional Emissions	12
4.2.1 Radiated Receiver Spurious	12
5 Measurement Uncertainty and Accreditation Documents	14

List of Tables

1	Test Site List.	5
2	Equipment List.	5
3	EUT Declarations.	7
4	Receiver Chain Spurious Emissions \geq 30 MHz.	12
4	Receiver Chain Spurious Emissions \geq 30 MHz.	13
5	Measurement Uncertainty.	14

List of Figures

1	Photos of EUT.	7
2	EUT Test Configuration Diagram.	8
3	Radiated Emissions Diagram of the EUT.	9
4	Radiated Emissions Test Setup Photograph(s).	10
5	Accreditation Documents	14

1 Test Report Scope and Limitations

1.1 Laboratory Authorization

Test Facility description and attenuation characteristics are on file with the FCC Laboratory, Columbia, Maryland (FCC Reg. No: 90413) and with ISED Canada, Ottawa, ON (File Ref. No: IC3161). Amber Helm Development L.C. holds accreditation under NVLAP Lab Code 200129-0 and includes within its scope CFR Title 47 Part 15 Subparts B and C.

1.2 Report Retention

For equipment verified to comply with the regulations herein, the manufacturer is obliged to retain this report with the product records for the life of the product, and no less than ten years. A copy of this Report will remain on file with this laboratory until January 2028.

1.3 Subcontracted Testing

This report does not contain data produced under subcontract.

1.4 Test Data

This test report contains data included within the laboratories scope of accreditation.

1.5 Limitation of Results

The test results contained in this report relate only to the item(s) tested. Any electrical or mechanical modification made to the test item subsequent to the test date shall invalidate the data presented in this report. Any electrical or mechanical modification made to the test item subsequent to this test date shall require reevaluation.

1.6 Copyright

This report shall not be reproduced, except in full, without the written approval of Amber Helm Development L.C..

1.7 Endorsements

This report shall not be used to claim product endorsement by any accrediting, regulatory, or governmental agency.

1.8 Test Location

The EUT was fully tested by **Amber Helm Development L.C.**, 92723 Michigan Hwy-152, Sister Lakes, Michigan 49047 USA. Table 1 lists all sites employed herein. Specific test sites utilized are also listed in the test results sections of this report.

Table 1: Test Site List.

Description	Location	Quality Num.
OATS (3m & 10m)	92723 Michigan Hwy-152, Sister Lakes, Michigan 49047 USA	OATSA

1.9 Traceability and Equipment Used

Pertinent test equipment used for measurements at this facility is listed in Table 2. The quality system employed at Amber Helm Development L.C. has been established to ensure all equipment has a clearly identifiable classification, calibration expiry date, and that all calibrations are traceable to the SI through NIST, other recognized national laboratories, accepted fundamental or natural physical constants, ratio type of calibration, or by comparison to consensus standards.

Table 2: Equipment List.

Description	Manufacturer/Model	SN	Quality Num.	Last Cal By / Date Due
BiconiLog Antenna	EMCO / 3142	1169	BILO3142	Lib.Labs / May-2018
(3m) RG8 Coax	CS-3227 / CS-3227	C060914	CS3227	AHD / Mar-2018
EMI Receiver	HP / 85460A/85462A	3704A00422, 3807A00465	HP8546A	Techmaster / Apr-2018
(3m) LMR-400 Coax	AHD / LMR400	C090804	LMR400	AHD / Mar-2018
(LCI) DS Coax	AHD / RG58/U	920809	RG58U	AHD / Jan-2018
(10-m) Amelco Coax	AHD / RG213U	9903-10ab	RG213U	AHD / Mar-2018
Double Ridged Horn	EMCO / 3115	2788	RH3115	Lib.Labs. / July-2018

2 Test Specifications and Procedures

2.1 Test Specification and General Procedures

The ultimate goal of TRW Automotive is to demonstrate that the Equipment Under Test (EUT) complies with the Rules and/or Directives below. Detailed in this report are the results of testing the TRW Automotive 337136 for compliance to:

Country/Region	Rules or Directive	Referenced Section(s)
United States	Code of Federal Regulations	CFR Title 47, Part 15.109
Canada	ISED Canada	ISED RSS-GEN (Verification)

It has been determined that the equipment under test is subject to the rules and directives above at the date of this testing. In conjunction with these rules and directives, the following specifications and procedures are followed herein to demonstrate compliance (in whole or in part) with these regulations.

ANSI C63.4:2014	"Methods of Measurement of Radio-Noise Emissions from Low-Voltage Electrical and Electronic Equipment in the Range of 9 kHz to 40 GHz"
ANSI C63.10:2013 (USA)	"American National Standard of Procedures for Compliance Testing of Unlicensed Wireless Devices"
TP0102RA	"AHD Internal Document TP0102 - Radiated Emissions Test Procedure"

3 Configuration and Identification of the Equipment Under Test

3.1 Description and Declarations

The equipment under test is a superheterodyne receiver. The EUT is approximately 8 x 10 x 2 cm (approx) in dimension, and is depicted in Figure 1. It is powered by 12 VDC vehicular power system. In use, this device is permanently affixed inside a motor vehicle. Table 3 outlines provider declared EUT specifications.

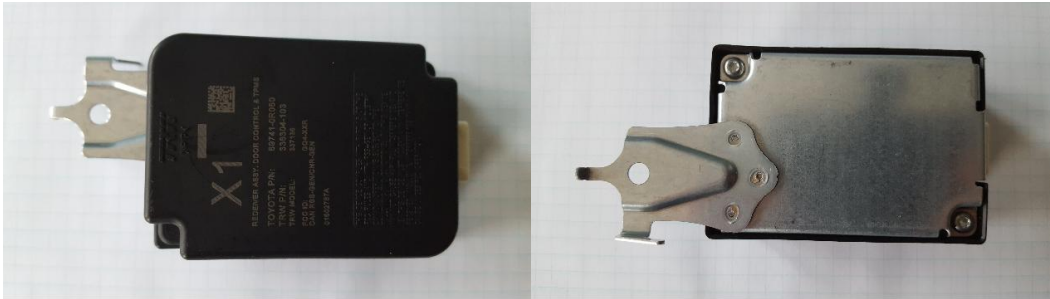


Figure 1: Photos of EUT.

Table 3: EUT Declarations.

General Declarations			
Equipment Type:	Receiver	Country of Origin:	Not Declared
Nominal Supply:	12 VDC	Oper. Temp Range:	Not Declared
Frequency Range:	312.1, 314.35, 314.98 MHz	Antenna Dimension:	Not Declared
Antenna Type:	Integral	Antenna Gain:	Not Declared
United States			
FCC ID Number:	GQ4-50R	Classification:	CYY
Canada			
IC Number:	RSS-GEN/CNR-GEN	Classification:	Remote Control Device, Vehicular Device

3.1.1 EUT Configuration

The EUT is configured for testing as depicted in Figure 2.

3.1.2 Modes of Operation

The EUT employs two modes of operation, as a TPMS receiver (314.98 MHz) and as an RKE receiver (312.1 MHz and 314.35 MHz). Both modes were tested.

3.1.3 Variants

There is only a single variant of the EUT.

3.1.4 Test Samples

Two samples in total were provided, both of which were software modified to keep the receiver awake.

3.1.5 Functional Exerciser

Normal operating EUT functionality was verified by observation of transmitted signal.

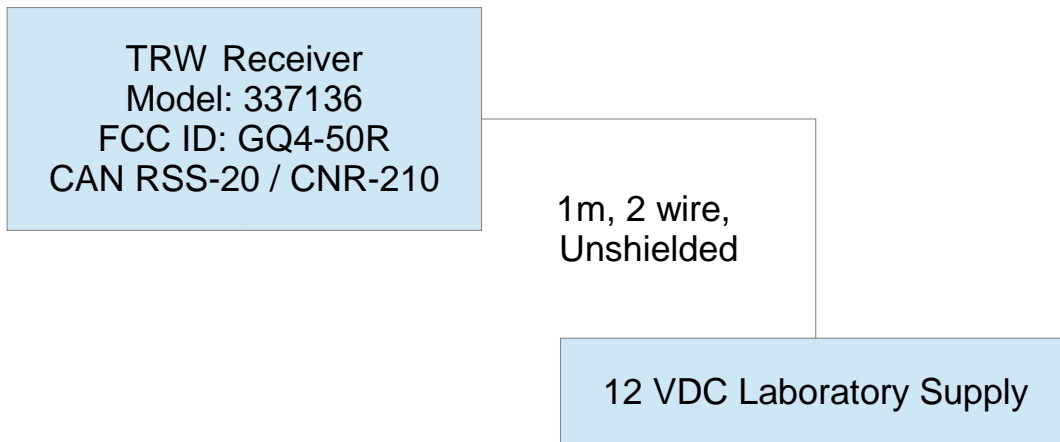


Figure 2: EUT Test Configuration Diagram.

3.1.6 Modifications Made

There were no modifications made to the EUT by this laboratory.

3.1.7 Production Intent

The EUT appears to be a production ready sample.

3.1.8 Declared Exemptions and Additional Product Notes

The EUT is permanently installed in a transportation vehicle. As such, digital emissions are exempt from US and Canadian digital emissions regulations (per FCC 15.103(a) and IC correspondence on ICES-003).

4 Emissions

4.1 General Test Procedures

4.1.1 Radiated Test Setup and Procedures

Radiated electromagnetic emissions from the EUT are first pre-scanned in our screen room. Spectrum and modulation characteristics of all emissions are recorded. Instrumentation, including spectrum analyzers and other test equipment as detailed in Section 1.8 are employed. After pre-scan, emission measurements are made on the test site of record. If the EUT connects to auxiliary equipment and is table or floor standing, the configurations prescribed in relevant test standards are followed. Alternatively, a layout closest to normal use (as declared by the provider) is employed if the resulting emissions appear to be worst-case in such a configuration. See Figure 3. All intentionally radiating elements that are not fixed-mounted in use are placed on the test table lying flat, on their side, and on their end (3-axes) and the resulting worst case emissions are recorded. If the EUT is fixed-mounted in use, measurements are made with the device oriented in the manner consistent with installation and then emissions are recorded. If the EUT exhibits spurious emissions due to internal receiver circuitry, such emissions are measured with an appropriate carrier signal applied.

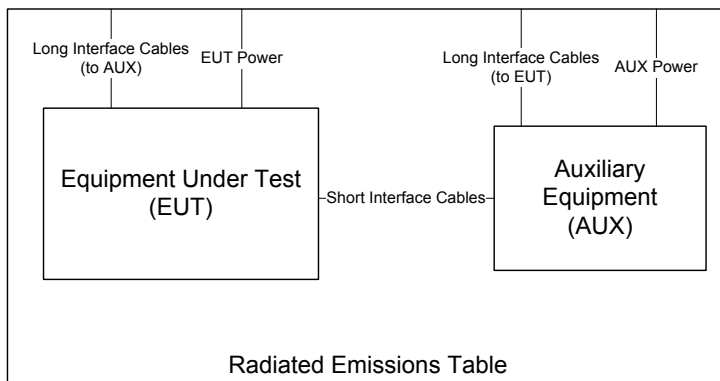


Figure 3: Radiated Emissions Diagram of the EUT.

For devices with intentional emissions below 30 MHz, a shielded loop antenna and/or E-field and H-Field broadband probes are used depending on the regulations. Shielded loops are placed at a 1 meter receive height at the desired measurement distance. For exposure in this band, the broadband probes employed are 10cm diameter single-axis shielded transducers and measurements are repeated and summed over three axes.

Emissions between 30 MHz and 1 GHz are measured using calibrated broadband antennas. For both horizontal and vertical polarizations, the test antenna is raised and lowered from 1 to 4 m in height until a maximum emission level is detected. The EUT is then rotated through 360° in azimuth until the highest emission is detected. The test antenna is then raised and lowered one last time from 1 to 4 m and the worst case value is recorded. Emissions above 1 GHz are characterized using standard gain or broadband ridge-horn antennas on our OATS with a 4×5 m rectangle of ECCOSORB absorber covering the OATS ground screen. Care is taken to ensure that test receiver resolution and video bandwidths meet the regulatory requirements, and that the emission bandwidth of the EUT is not reduced. Photographs of the test setup employed are depicted in Figure 4.

Where regulations allow for direct measurement of field strength, power values (dBm) measured on the test receiver / analyzer are converted to $\text{dB}\mu\text{V}/\text{m}$ at the regulatory distance, using

$$E_{dist} = 107 + P_R + K_A - K_G + K_E - C_F$$

where P_R is the power recorded on spectrum analyzer, in dBm, K_A is the test antenna factor in dB/m, K_G is the combined pre-amplifier gain and cable loss in dB, K_E is duty correction factor (when applicable) in dB, and C_F is a distance conversion (employed only if limits are specified at alternate distance) in dB. This field strength value is then compared with the regulatory limit. If effective isotropic radiated power (EIRP) is computed, it is computed as

$$EIRP(\text{dBm}) = E_{3m}(\text{dB}\mu\text{V}/\text{m}) - 95.2.$$

When presenting data at each frequency, the highest measured emission under all possible EUT orientations (3-axes) is reported.



Figure 4: Radiated Emissions Test Setup Photograph(s).

4.1.2 Conducted Emissions Test Setup and Procedures

4.1.3 Power Supply Variation

Tests at extreme supply voltages are made if required by the the procedures specified in the test standard, and results of this testing are detailed in this report.

4.2 Unintentional Emissions

4.2.1 Radiated Receiver Spurious

The results for the measurement of radiated receiver spurious emissions (emissions arising from the receiver chain, e.g. LO or VCO) at the nominal voltage and temperature are reported in Table 4. Receive chain emissions are measured to 5 times the highest receive chain frequency employed or 4 GHz, whichever is higher. If no emissions are detected, only those noise floor emissions at the LO/VCO frequency are reported.

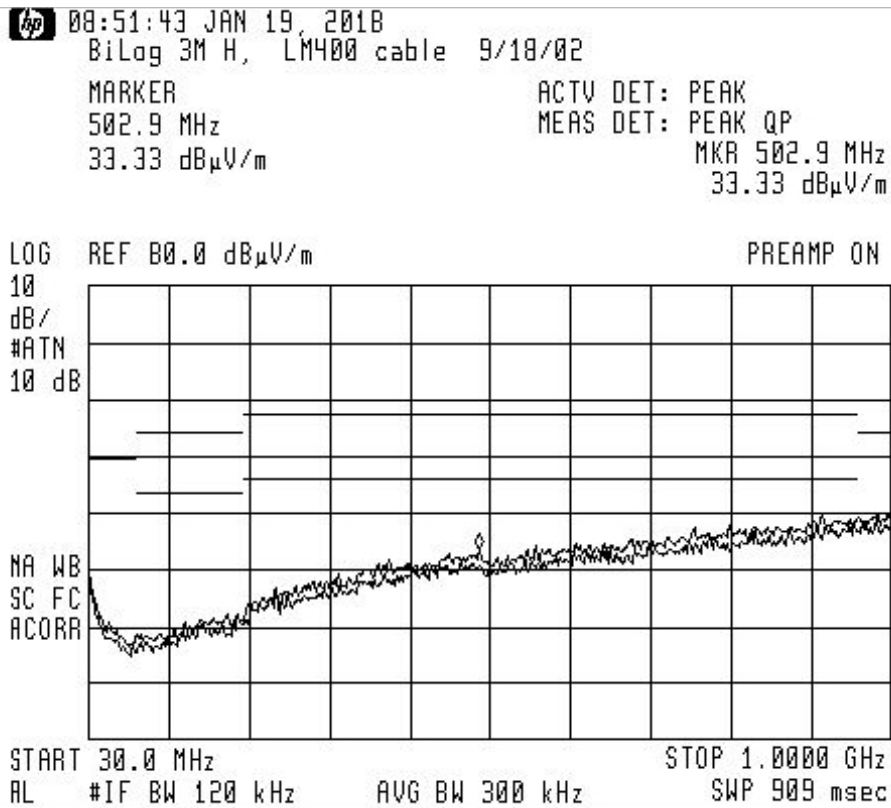
Table 4(a): Receiver Chain Spurious Emissions \geq 30 MHz.

Frequency Range 25 MHz f 1 000 MHz f > 1 000 MHz	Det Pk/QPk Pk/Avg	IF Bandwidth 120 kHz 1 MHz	Video Bandwidth 300 kHz 3 MHz	Test Date: 19-Jan-18
				Test Engineer: Gordon Helm
				EUT: TRW RX
				EUT Mode: Awake (TPMS + RKE)
				Meas. Distance: 3 meters

Transmitter Unintentional Spurious Emissions													FCC/IC
#	Freq. MHz	Ant. Used	Ant. Pol.	Table Azim. deg	Ant Height m	Ka dB/m	Kg dB	E3(Pk)** dBµV/m	E3 (Qpk) dBµV/m	FCC/IC E3lim (Pk) dBµV/m	FCC/IC E3lim (Avg) dBµV/m	Pass dB	Comments
1	320.0	BILO3142	H	350.0	1.9	17.4	-1.2	23.1	20.8	66.0	46.0	25.2	max all, noise
2	320.0	BILO3142	V	.0	1.0	17.4	-1.2	22.0	17.6	66.0	46.0	28.4	max all, noise
3	640.0	BILO3142	H	20.0	1.9	20.3	-2.1	46.9	42.9	66.0	46.0	3.1	max all, background
4	640.0	BILO3142	V	10.0	1.0	20.3	-2.1	37.3	29.4	66.0	46.0	16.6	max all, background
5	960.0	BILO3142	H	10.0	1.0	25.0	-3.0	28.9	22.8	66.0	46.0	17.1	max all, noise
6	960.0	BILO3142	V	10.0	1.0	25.0	-3.0	28.6	22.9	66.0	46.0	17.4	max all, noise
7	1257.0	RH3115	H/V	20.0	1.3	26.6	-1.5	37.0		74.0	54.0	17.0	max all, noise
8	1372.0	RH3115	H/V	90.0	2.1	26.8	-1.6	40.0		74.0	54.0	14.0	max all, noise
9	1889.0	RH3115	H/V	180.0	1.5	27.8	-2.0	37.0		74.0	54.0	17.0	max all, noise
10	2200.0	RH3115	H/V	180.0	1.0	28.3	-2.2	42.0		74.0	54.0	12.0	max all, noise
11	2514.0	RH3115	H/V	90.0	1.8	28.7	-2.4	44.0		74.0	54.0	10.0	max all, noise
12	2828.0	RH3115	H/V	270.0	1.8	29.1	-2.6	43.0		74.0	54.0	11.0	max all, noise
13	3200.0	RH3115	H/V	180.0	1.8	29.5	-2.9	43.0		74.0	54.0	11.0	max all, noise
14													
15													
16													
17													
18													
19													
20													
21													
22													
23													

Table 4(b): Receiver Chain Spurious Emissions ≥ 30 MHz.

PRE-SCAN EMISSIONS PLOT



5 Measurement Uncertainty and Accreditation Documents

The maximum values of measurement uncertainty for the laboratory test equipment and facilities associated with each test are given in the table below. This uncertainty is computed for a 95.45% confidence level based on a coverage factor of $k = 2$.

Table 5: Measurement Uncertainty.

Measured Parameter	Measurement Uncertainty [†]
Radio Frequency	$\pm(f_{Mkr}/10^7 + RBW/10 + (SPN/(PTS - 1))/2 + 1 \text{ Hz})$
Conducted Emm. Amplitude	$\pm 1.9 \text{ dB}$
Radiated Emm. Amplitude (30 – 200 MHz)	$\pm 4.0 \text{ dB}$
Radiated Emm. Amplitude (200 – 1000 MHz)	$\pm 5.2 \text{ dB}$
Radiated Emm. Amplitude ($f > 1000 \text{ MHz}$)	$\pm 3.7 \text{ dB}$

[†]Ref: CISPR 16-4-2:2011+A1:2014

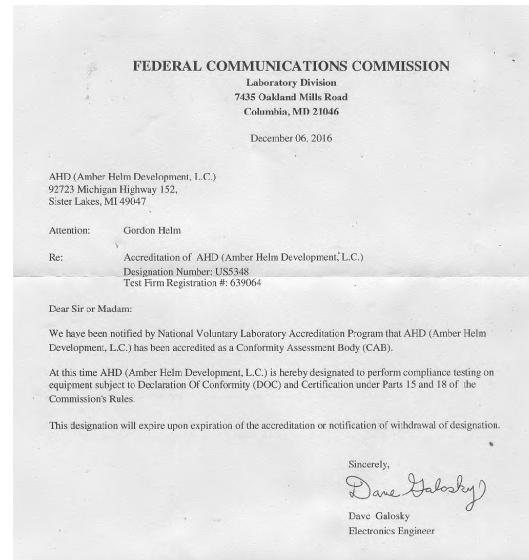


Figure 5: Accreditation Documents