

February 12, 2010

TEE
24175 Research Dr.
Farmington Hills, MI 48335-2642
Tel 248.478.7210
Fax 248.699.4241

RE: Certification for Toyota MY11 FSK 315MHz 20°/40° Fixed Angle Transmitters
Model #: 226196 (20 degree)
226204 (40 degree)
FCC ID: GQ4-45T
Canada IC: 1470A-26T

FCC/IC IDENTIFIER AND MODEL NUMBER

Please see Figure 1 for the FCC/IC Identifier location on 226196 (20 degree) and Figure 2 for 226204 (40 degree).

Figure 1: Identifier Location

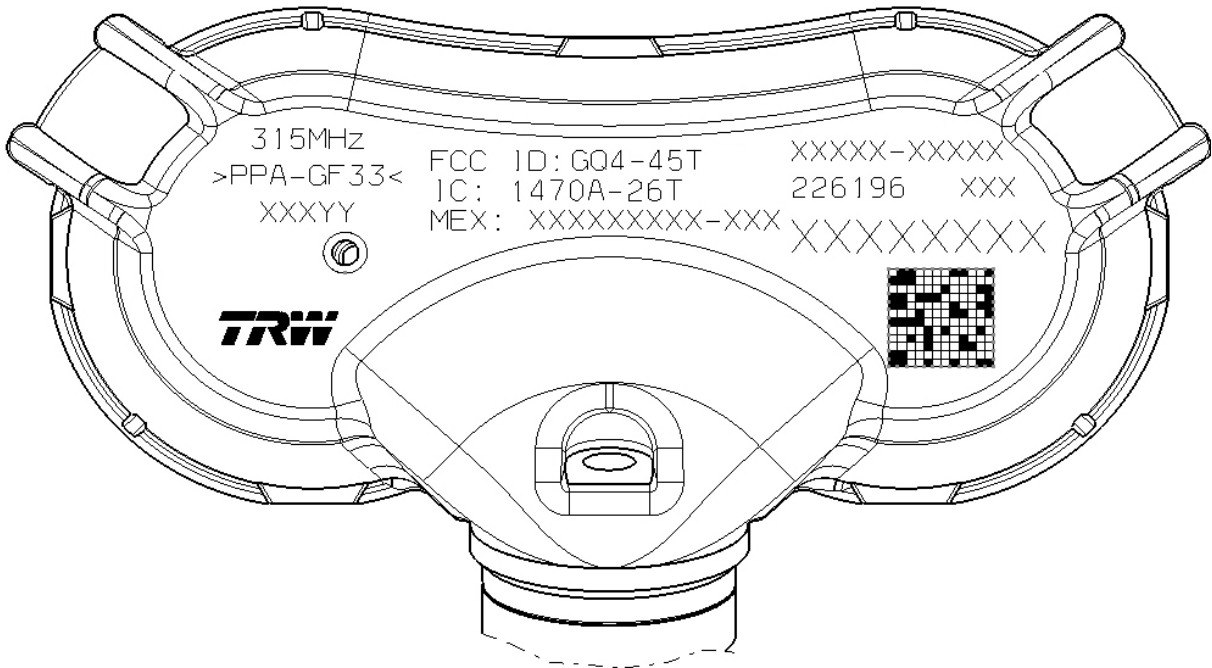


Figure 2: Identifier Location

