

February 5, 2010

TEE
24175 Research Dr.
Farmington Hills, MI 48335-2642
Tel 248.478.7210
Fax 248.699.4241

RE: Certification for HKMC MY11 FSK 315MHz LCCI Low Line Transmitter
Model #: 225816101
FCC ID: GQ4 -44T
C anada IC: 1470A-25T

FCC/IC IDENTIFIER AND MODEL NUMBER

Please see Figure 1 for the FCC/IC Identifier location.

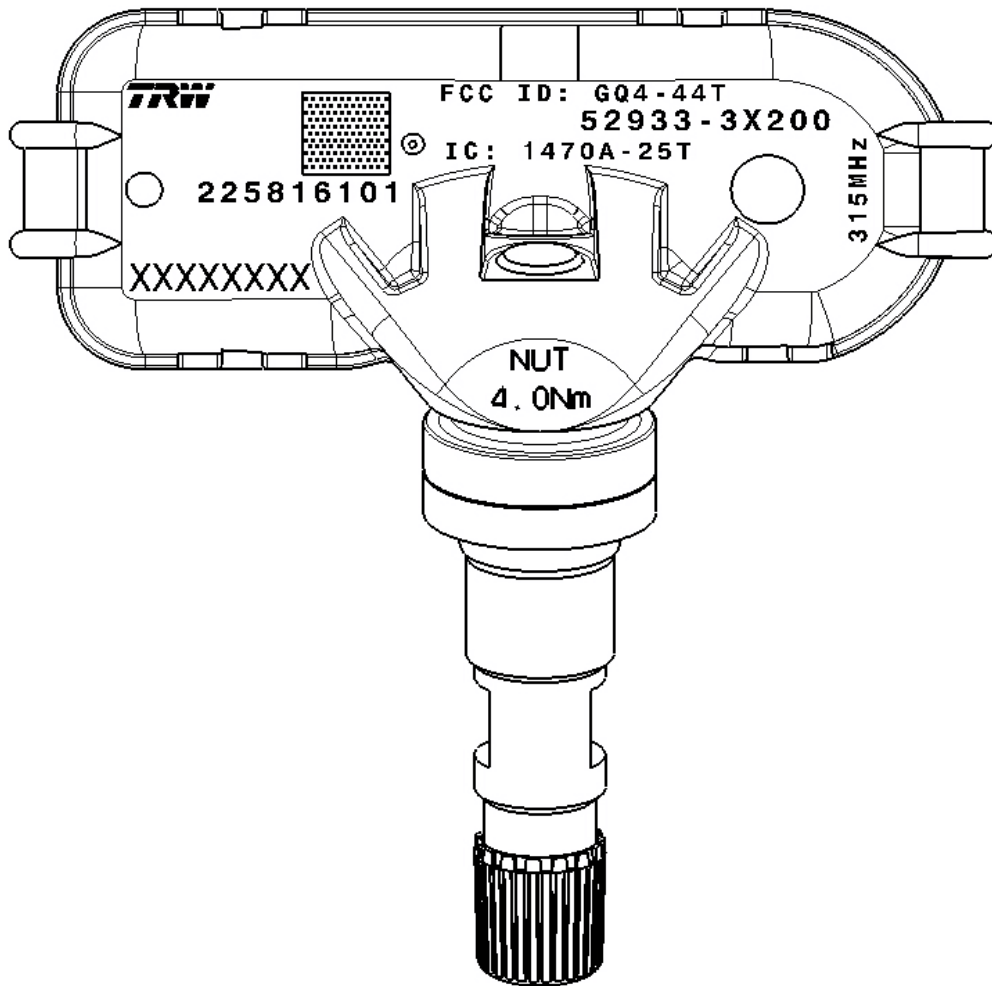


Figure 1: Identifier Location