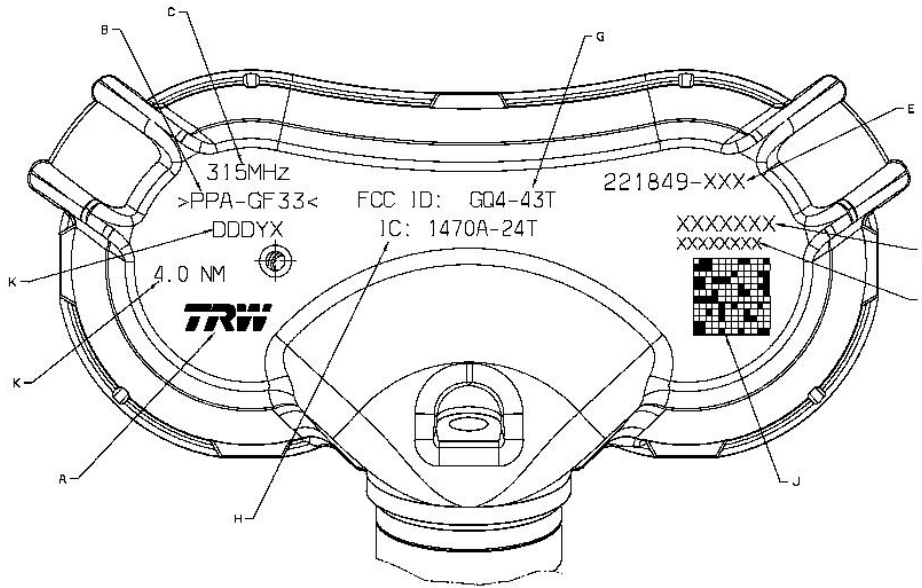


July 27, 2011

TEE
 24175 Research Dr.
 Farmington Hills, MI 48335-2642
 Tel 248.478.7210
 Fax 248.699.4241

RE: Certification for Aftermarket 315MHz TPM Sensor
 Model #: 221849-103
 FCC ID: GQ4-43T
 Canada IC: 1470A-24T



LASER MARKING DETAIL VIEW
 SCALE 5:1
 -103

-103

TABLE 3 ITEMS TO BE LASER MARKED	
TEXT IS ARIAL FONT. MUST BE READABLE WITH UNAIDED EYE ITEMS WITH * SHOULD BE EMPHASIZED BY SIZE OR BOLDFACE	
A)	TRW LOGO (2.0mm HIGH)
B)	RECYCLE SYMBOL ">PPA-GF33<"
C)	FREQUENCY "315MHz"
D)	TRANSMITTER SERIAL ID, **7-CHARACTER "XXXXXXX"
E)	TRW PART NUMBER 221849-XXX
F)	TRANSMITTER SERIAL ID, 8-CHARACTER "XXXXXXXX"
G)	FCC ID "FCC ID: GQ4-43T"
H)	CANADIAN IC ID "IC: 1470A-24T"
J)	2D BARCODE (OPTIONAL - SHOWN 6mm X 6mm) DATA MATRIX CODE CONTENTS: TRW TOP LEVEL PART NUMBER TRANSMITTER SERIAL ID FORMAT PPPPPP-DDD @ XXXXXXXXX
K)	DATE CODE ("DDDYX": DDD=DAY, Y=YEAR, X=AUBURN USE)
L)	*4.0 NM