

March 3, 2009

TEE
24175 Research Dr.
Farmington Hills, MI 48335-2642
Tel 248.478.7210
Fax 248.699.4241

RE: Certification for HKMC MY10 FSK 315MHz Low Line Transmitter
Model #: 220644112
FCC ID: GQ4-42T
Canada IC: 1470A-23T

FCC/IC IDENTIFIER AND MODEL NUMBER

Please see Figure 1 for the FCC/IC Identifier location.

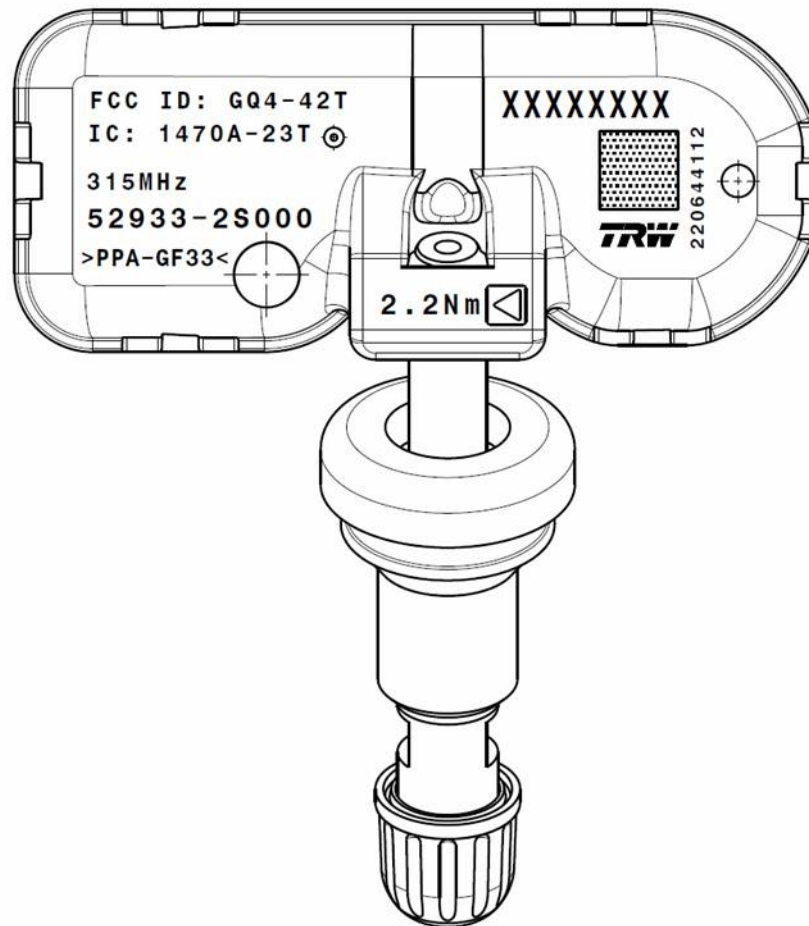


Figure 1: Identifier Location