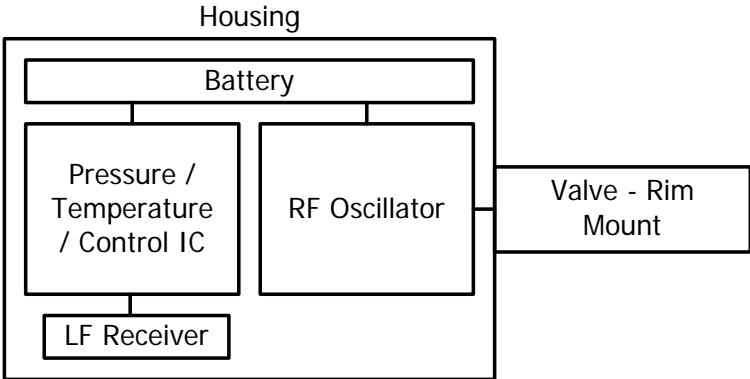


BLOCK DIAGRAM



XTAL: 9.84375 MHz
RF Oscillator: 315 MHz

Figure 3. TPM Sensor Block Diagram