

April 27, 2007

OSS Electronics  
24175 Research Dr.  
Farmington Hills, MI 48335-2642  
Tel 248.478.7210  
Fax 248.478.7241

RE: Certification for Honda MY08 ASK Highline TPM Sensor

Model #: 217652-104  
FCC ID: GQ4-35T  
Canada IC: 1470A-16T

### PRINCIPLES OF CIRCUIT OPERATION

The sensor incorporates an ASIC to measure the parameters within the tire. The ASIC outputs the measured data in digital pulses. The digital data gates on and off a power amplifier which couples the RF carrier to the antenna. The transmitted signal uses Amplitude Shift Keying (ASK). The carrier frequency of the sensor is 315 MHz typically. The worst case frequency shift of the carrier is 314.75MHz for the low frequency and 315.2MHz for the high frequency shift. The receiver bandwidth must be wide enough to pass the transmitter worst case frequency shifts. Reference Block Diagram in Figure 3.

### BLOCK DIAGRAM

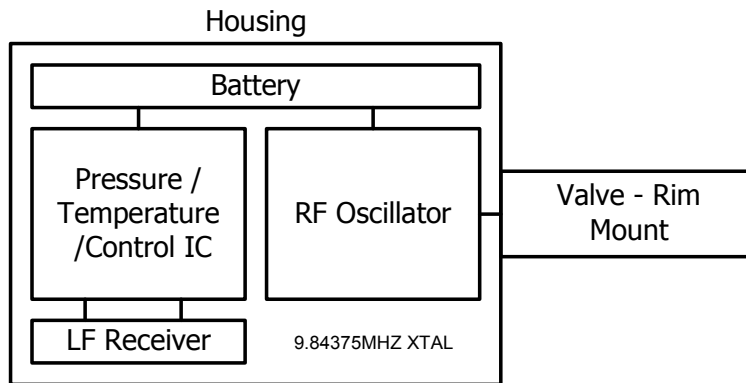


Figure 3. TPM Sensor Block Diagram