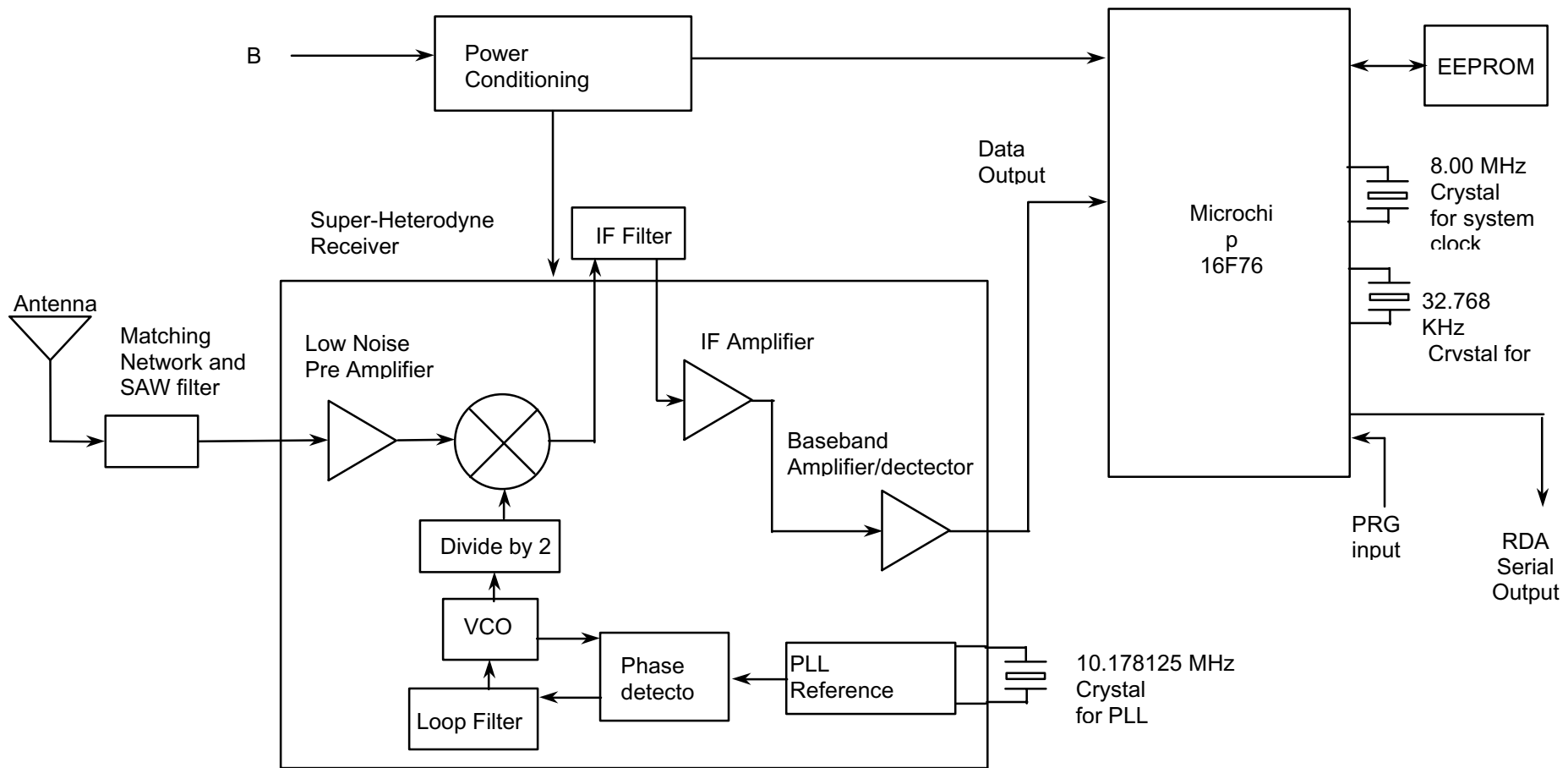


# Toyota 500 Super-heterodyne Receiver



Supply Voltage: 12 V  
 I Continuous: 3.0 mA max (continuous or via power cycling)  
 Bandwidth: 400 KHz @ -3dB  
 Center Frequency: 315 MHz