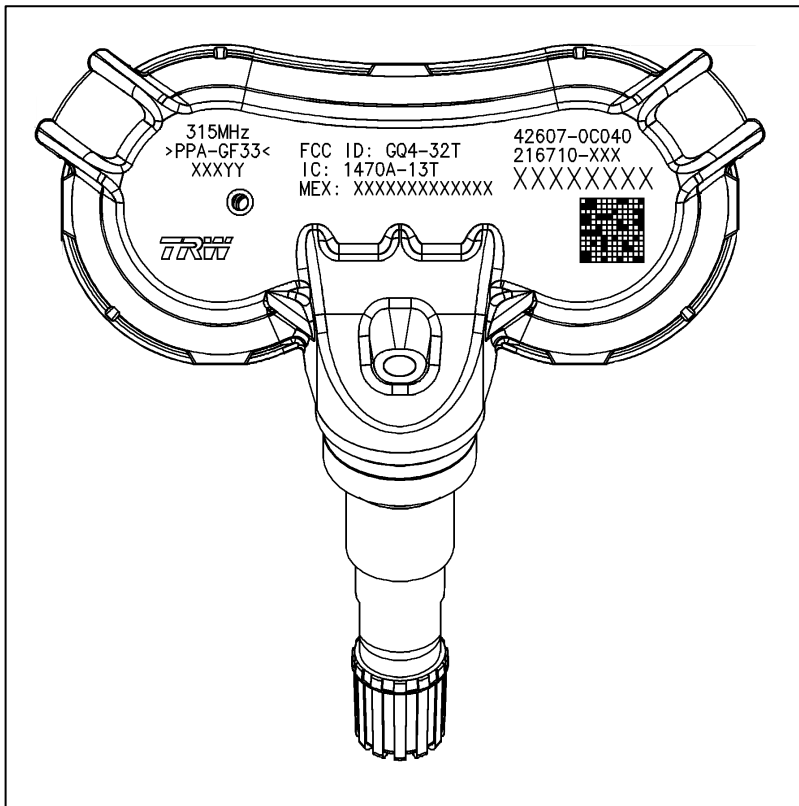


RE: Certification for TRW TPM '07 Sensor  
Model #: 42607-0C030 (20 degree)  
          42607-0C040 (40 degree)  
FCC ID: GQ4-32T  
Canada IC: 1470A-13T

**FCC/IC IDENTIFIER AND MODEL NUMBER**

Please see Figure 1 for the FCC/IC identifier location and model number location.



**Figure 1. FCC/IC Identifier and Model Number**

The model number for the sensor is: **42607-0C030 (20 degree)**  
**42607-0C040 (40 degree)**  
The FCC ID for the sensor is: **GQ4-32T**  
The Canada IC number for the sensor is: **1470A-13T**