

RE: Certification for TRW TPM '07 Sensor
Model #: 42607-0C030 (20 degree)
 42607-0C040 (40 degree)
FCC ID: GQ4-32T
Canada IC: 1470A-13T

BLOCK DIAGRAM

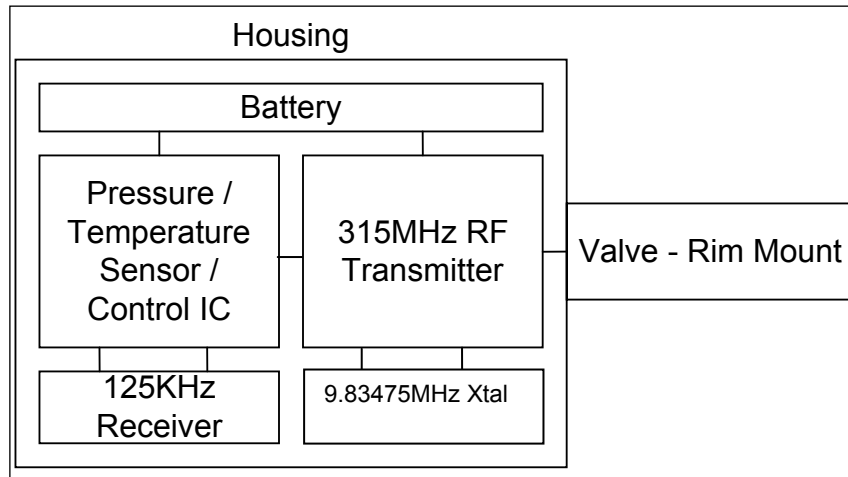


Figure 2. TPM Sensor Block Diagram