

SECTION C-C

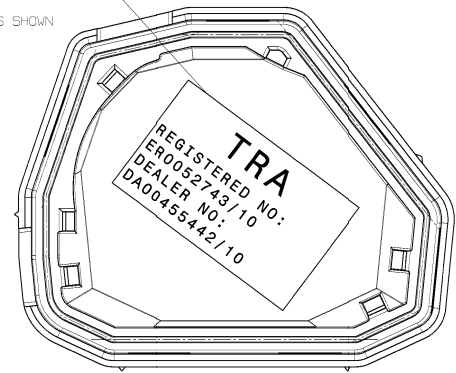
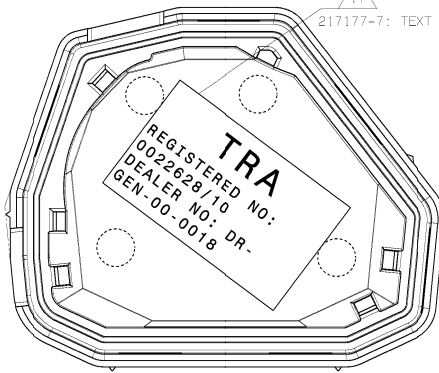
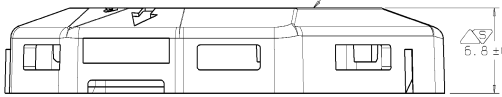
0.1 ABC
ALL AROUND

FINISH: FINE EDM FINISH SPI #6
ALL AROUND

0.2

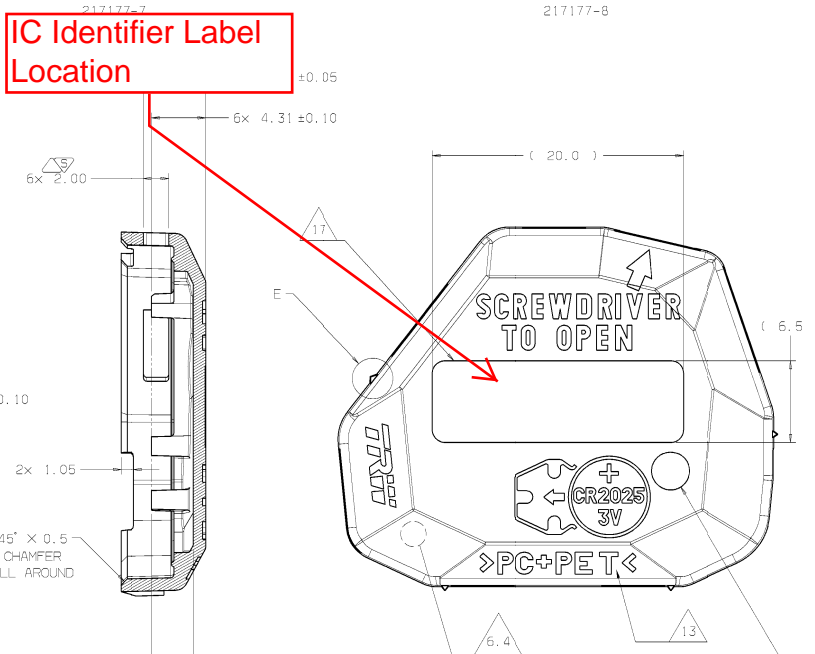
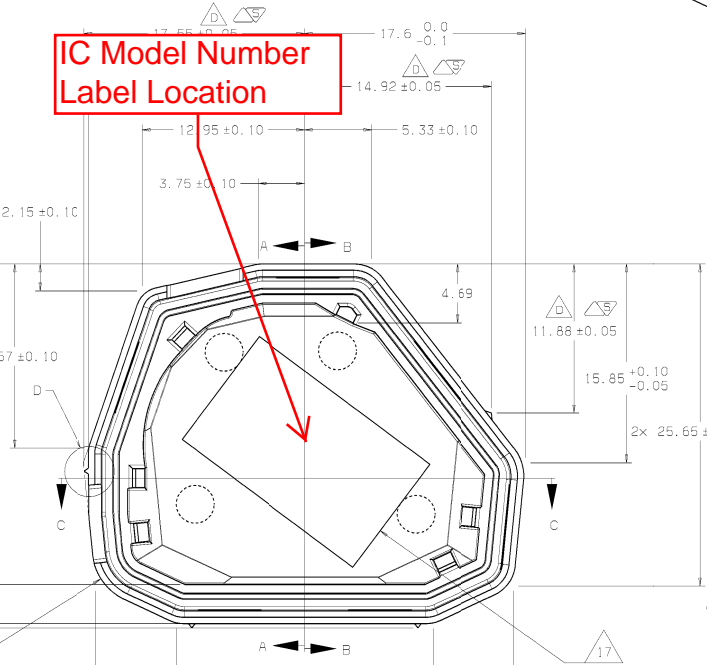
5.8 ±0.1

±0.1
73 ±0.10



IC Model Number
Label Location

IC Identifier Label
Location



April 16, 2012

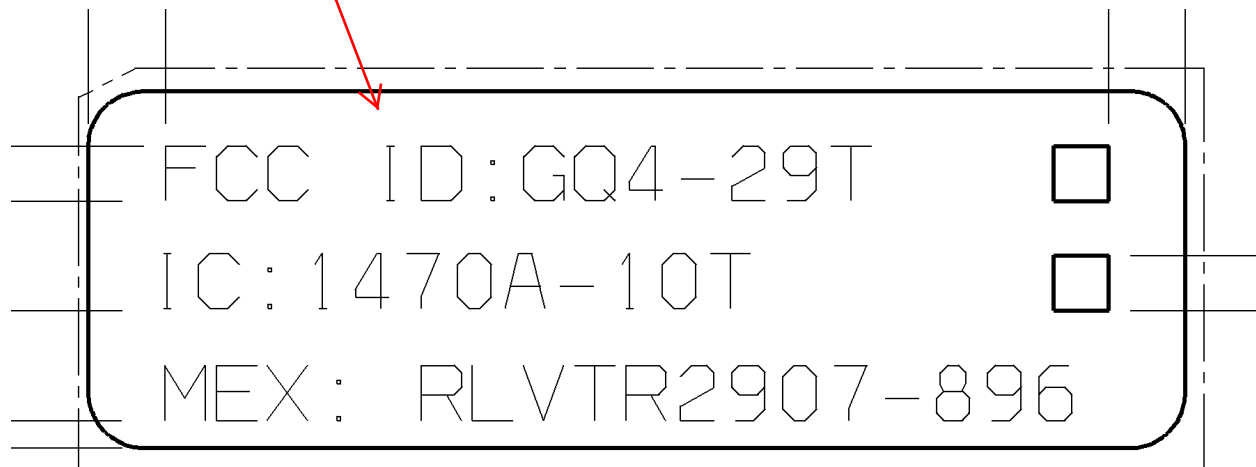
TEE
24175 Research Dr.
Farmington Hills, MI 48335-2642
Tel 248.478.7210
Fax 248.699.4241

RE: Certification for Toyota MY08 150L 315MHz Inkey Transmitter Class II Recertification

Model #: 217653-105 and 217653-106
FCC ID: GQ4-29T
Canada IC: 1470A-10T

There is no label for Toyota 150L Inkey Transmitter, only laser etching on plastic housing.

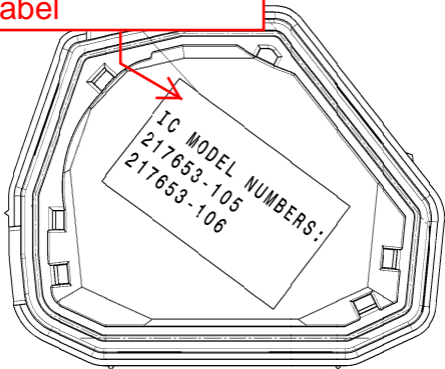
IC Identifier Label



217177-5

Figure 1 – Placement Drawing

IC Model Number
Label



217177-5