

RE: Certification for TRW TPM '05 Sensor
FCC ID: GQ4-26T
Canada IC: 1470A-7T

PRINCIPLES OF CIRCUIT OPERATION

The transmitter consists of 4 blocks: a battery, a micro-core measurement integrated circuit (IC), a low frequency (LF) receiver circuit, and a radio frequency (RF) transmitter circuit, reference block diagram in Figure 2.

BLOCK DIAGRAM

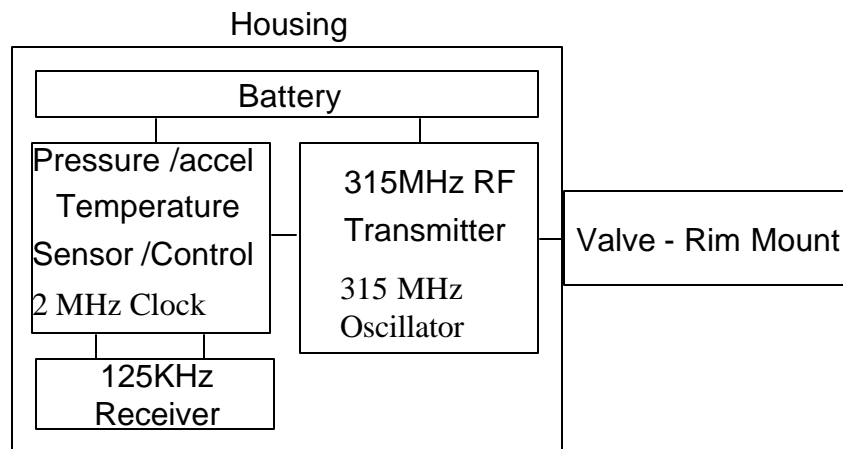


Figure 2.
TPM Sensor
Block
Diagram