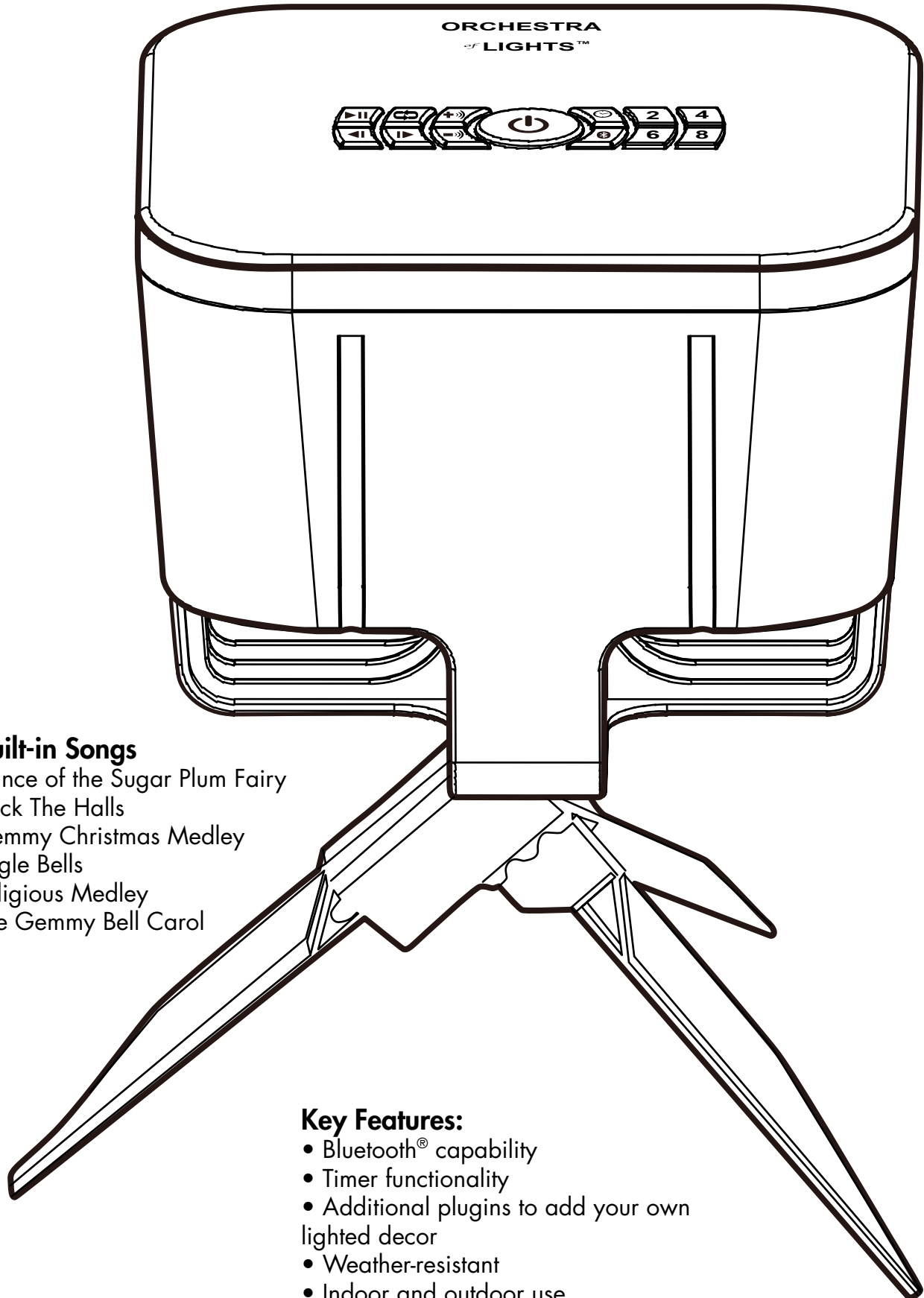


# LightShow® Box with Speaker



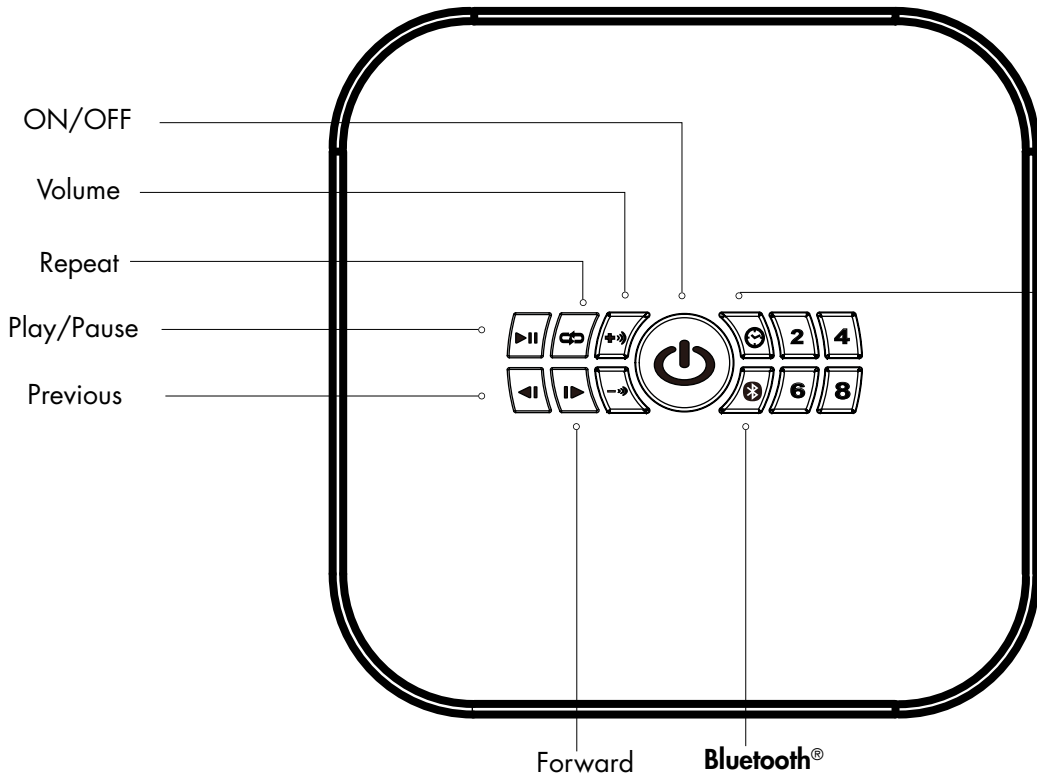
## 6 Built-in Songs

- Dance of the Sugar Plum Fairy
- Deck The Halls
- Gemmy Christmas Medley
- Jingle Bells
- Religious Medley
- The Gemmy Bell Carol

## Key Features:

- Bluetooth® capability
- Timer functionality
- Additional plugins to add your own lighted decor
- Weather-resistant
- Indoor and outdoor use

# Top View

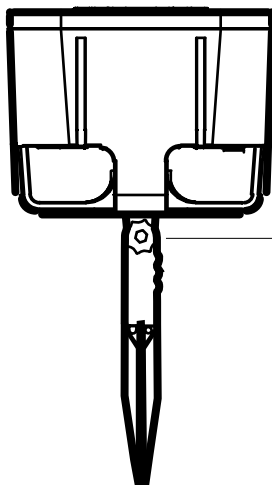


## Timer Activation

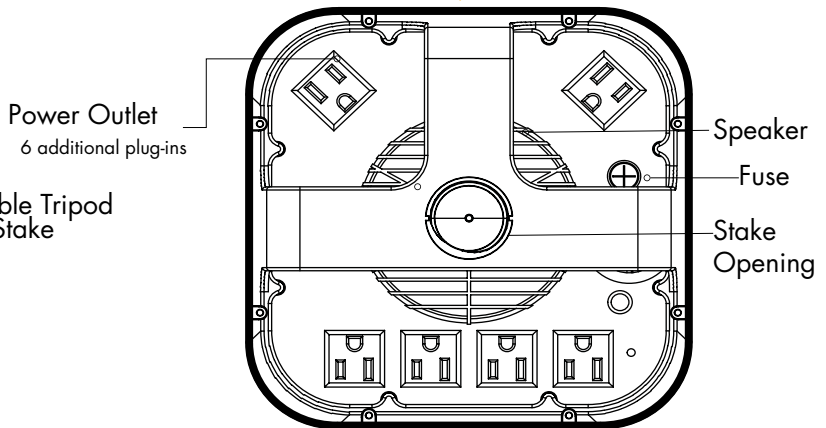
Press this icon to activate the Timer. The Timer cycle will repeat daily using the selected setting. For example, if you set the timer for 4 hours at 6:00pm, it will turn off at 10:00pm and repeat the cycle each day. To toggle to the timer options, press the Timer icon repeatedly:

- **2 hours:** Turns off automatically after 2 hours from the time of activation. The cycle repeats daily
  - **4 hours:** Turns off automatically after 4 hours from the time of activation. The cycle repeats daily
  - **6 hours:** Turns off automatically after 6 hours from the time of activation. The cycle repeats daily
  - **8 hours:** Turns off automatically after 8 hours from the time of activation. The cycle repeats daily
- The selected option will be backlit.

To activate Bluetooth® capability, press Bluetooth® button. Two chirps indicate successful activation.



Side View



Bottom View

## Important Safety Instructions

1. Read these instructions.
2. Keep these instructions.
3. Heed all warnings.
4. Follow all instructions.
5. Do not use this apparatus near water.
6. Clean only with dry cloth.
7. Do not block any ventilation openings. Install in accordance with the manufacturer's instructions.
8. Do not install near any heat sources such as radiators, heat registers, stoves, or other apparatus (including amplifiers) that produce heat.
9. Do not defeat the safety purpose of the polarized or grounding-type plug. A polarized plug has two blades with one wider than the other. A grounding type plug has two blades and a third grounding prong. The wide blade or the third prong are provided for your safety. If the provided plug does not fit into your outlet, consult an electrician for replacement of the obsolete outlet.
10. Protect the power cord from being walked on or pinched, particularly at plugs, convenience receptacles, and the point where they exit from the apparatus.
11. Only use accessories specified by the manufacturer.



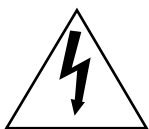
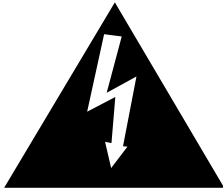
S3125A

12. Use only with the cart, stand, tripod, bracket, or table specified by the manufacturer or sold with the apparatus. Use caution when moving the cart/apparatus combination to avoid injury from it tipping over.
13. Unplug this apparatus during lightning storms or when unused for long periods of time.
14. Refer all servicing to qualified service personnel. Servicing is required when the apparatus has been damaged in any way, such as damage to the power supply cord or plug, liquid has been spilled or objects have fallen into the apparatus, the apparatus has been exposed to rain or moisture, does not operate normally, or has been dropped.

**This apparatus is portable.**

### CAUTION:

Use of controls or adjustments or performance of procedures other than those specified may result in hazardous radiation exposure.



The lightning flash with arrowhead symbol within an equilateral triangle is intended to alert the user to the presence of uninsulated "dangerous voltage" within the product's enclosure that may be of sufficient magnitude to constitute a risk of electric shock to persons.



The exclamation point within an equilateral triangle is intended to alert the user to the presence of important operating and maintenance (servicing) instructions in the literature accompanying the appliance.

**Congratulations!** You are now the proud owner of a Light Show box. Please read the directions carefully before use.

**WARNING:** Do not attempt to assemble or operate your Light Show Box with Speaker during extreme weather conditions including unusually strong winds, heavy rain, or accumulating snow. Operating the product during these extreme conditions will affect the performance of the product.

**SAFETY WARNING:** Remove all plastic fasteners and tags. These are part of the packaging and should be discarded.

**NOTE:** This item is not a toy and should be used for decorative purposes only.

**SAVE THESE INSTRUCTIONS** – This manual contains important safety and operating instructions for power units.

## IMPORTANT SAFETY INSTRUCTIONS FOR LIGHT SHOW BOX WITH SPEAKER

When using electrical products, basic precautions should always be practiced including the following:

1. **READ AND FOLLOW ALL SAFETY INSTRUCTIONS.**
2. Read and follow all instructions that are on the product or provided with the product.
3. For a cord-connected or direct plug-in power unit, do not use an extension cord.
4. Reference the national electrical code, ANSI/NFPA 70, specifically for the installation of wiring and clearances from power and lighting conductors.
5. Installation work and electrical wiring must be done by qualified person(s) in accordance with all applicable codes and standards, including fire-rated construction.
6. For a cord-connected or direct plug-in power unit, do not install or use within 10 feet of a pool.
7. For a cord-connected or direct plug-in unit, do not use in a bathroom.
8. Where the MAINS plug or an appliance coupler is used as the disconnect device, the disconnect device shall remain readily operable.
9. **WARNING: Risk of Electric Shock.** When used outdoors, install only to a covered Class A GFCI protected receptacle that is weatherproof with the power unit connected to the receptacle. If one is not provided, contact a qualified electrician for proper installation. Ensure that the power unit and cord do not interfere with completely closing the receptacle cover.
10. **WARNING: Risk of Fire.** Installation involves special wiring methods to run wiring through a building structure. Consult a qualified electrician.

## WARNING

1. Main plug shall be connected to a MAINS socket outlet with a protective earthing connection.
2. **WARNING** :To prevent injury, this apparatus must be securely attached to the floor in accordance with the installation instructions.
3. MAINS plug shall remain readily operable.
4. **CAUTION:** These servicing instructions are for use by qualified service personnel only. To reduce the risk of electric shock, do not perform any servicing other than that contained in the operating instructions unless you are qualified to do so.
5. The mechanical positioning is accomplished by means of tools normally available or by means of special tools provided by the organization responsible for providing the apparatus as part of the installation kit.
6. The electrical connections are made by using existing TERMINALS and connections in the apparatus or the building wiring.

## PACKAGE CONTENTS

LightShow® Box	1
LightShow® Box stake	1
Extra fuse, 8A, 125V	1

## PREPARATION

Before assembling, remove all parts from carton. Compare parts list and diagram above. If any part is missing or damaged, do not attempt to assemble or use the product.

•Estimated assembly time: 10 - 15 minutes.

# ASSEMBLY INSTRUCTIONS

1. Remove all contents from box and set out on a clear, flat surface. Set up near the area where you want to install the Light Show box.
2. Screw Light Show Box stake into the opening located on the bottom of the Light Show Box and tighten securely into place. Stake the Light Show Box into the ground. **Note:** Stake is convertible to a tripod by gripping the middle of the stake where marked and gently pulling.
3. Plug Light Show box into a standard power outlet.
4. Using the outlets on the bottom of the Light Show Box, plug in your personal light strings or other lighted décor. **Note:** Each outlet is rated for a maximum of 1.25 Amps. We highly recommend never exceeding this maximum amount.
5. Smart devices equipped with Bluetooth connectivity can use the Light Show Box as a speaker. Follow these steps to connect your Bluetooth device to the Light Show Box:
  - A. Make sure your mobile device's Bluetooth is turned on.
  - B. Tap the Bluetooth logo on the Light Show box.
  - C. Look for the Light Show Box device to pair with your device.
  - D. Your Light Show Box is now ready to use as a speaker.
6. Optional: Set the timer to the desired length of time (See diagram on page 2).

## STORAGE

Do not discard box as it should be used for storage. Return all parts of the Light Show box to the original packaging, if possible. Store in a cool, dry location.

## FAQs

### 1. Can I leave my Light Show Box with Speaker running overnight?

Yes, you can run your Light Show Box with Speaker during the day and at night. We recommend that you turn off your Light Show Box with Speaker when leaving the immediate area and when retiring for the evening.

### 2. How many items can I plug into my Light Show Box with Speaker?

The Light Show Box with Speaker has six outlets for you to create your own Light Show. Each outlet is rated for a maximum of 1.25 Amps. We recommend that you not exceed this maximum amount.

### 3. What is the best way to store my Light Show Box with Speaker?

Store dry in a bag, box or other storage container and keep in a cool, dry location. If possible, we recommend you use the original packaging.

### 4. Will inclement weather affect the performance of my Light Show Box with Speaker?

Due to the nature of the control box outlets, operation of your Light Show Box with Speaker during extreme weather conditions, such as snow, rain or windstorms is not recommended.

## WARNING

### RF RADIATION EXPOSURE STATEMENT

**NOTE:** This equipment has been tested and found to comply with the limits for a class B digital device, pursuant to part 15 of the FCC rules. These limits are designed to provide reasonable protection against harmful interference in a residential installation. This equipment generates, uses, and can radiate radio frequency energy and, if not installed and used in accordance with the instructions, may cause harmful interference to radio communications. However, there is no guarantee that interference will not occur in a particular installation. If this equipment does cause harmful interference to radio or television reception, which can be determined by turning the equipment off and on, the user is encouraged to try to correct the interference by one or more of the following measures:

- Reorient or relocate the receiving antenna.
- Increase the separation between the equipment and receiver.
- Connect the equipment into an outlet on a circuit different from that to which the receiver is connected.

- Consult the dealer or an experienced radio/TV technician for help.

This device complies with Part 15 of the FCC Rules. Operation is subject to the following two conditions: (1) this device may not cause harmful interference, and (2) this device must accept any interference received, including interference that may cause undesired operation.

**Note:** The manufacturer is not responsible for any radio or TV interference caused by unauthorized modifications to this equipment. Such modifications could void the user's authority to operate this equipment.

This device complies with Industry Canada license exempt RSS standard(s). Operation is subject to the following two conditions: (1) this device may not cause interference, and (2) this device must accept any interference, including interference that may cause undesired operation of the device.

The device has been evaluated to meet FCC and RSS-102 general RF exposure requirement. The device can be used in portable exposure condition without restriction.

These instructions refer to the following item number: 883103

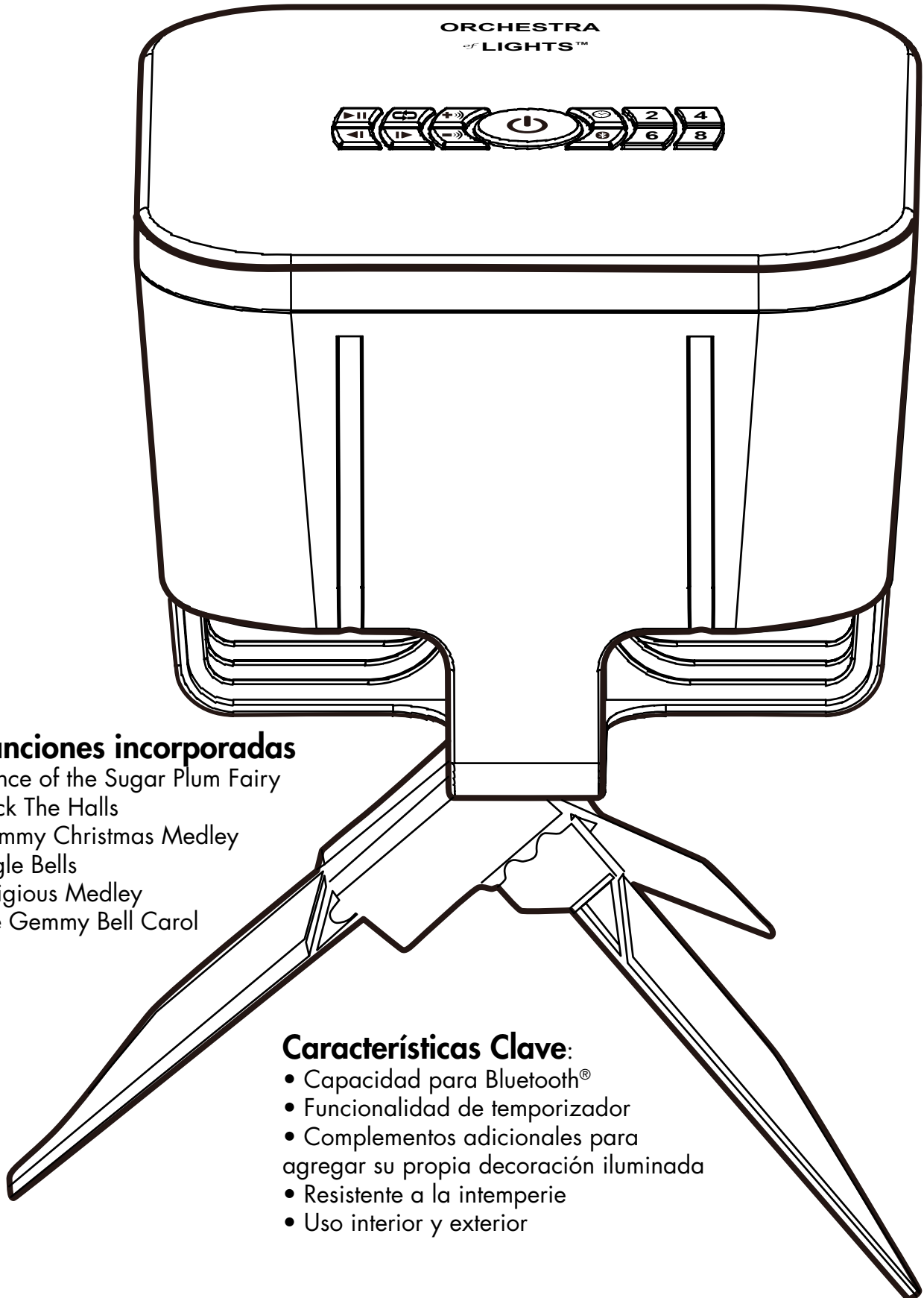
QD ID: XXXXXX



**Visit [WWW.GEMMY.COM](http://WWW.GEMMY.COM) for more information.**

©2024 GEMMY INDUSTRIES CORP.  
117 WRANGLER DRIVE, SUITE 100  
COPPELL, TX 75019 U.S.A.  
1(800) 274-6717  
MADE IN CAMBODIA  
PRINTED IN CAMBODIA

# Caja LightShow® con altavoz



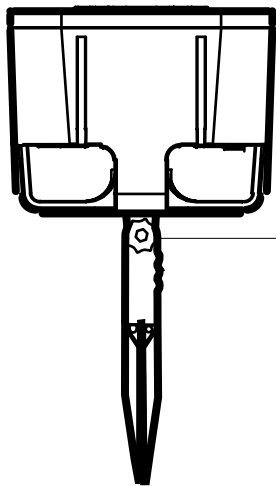
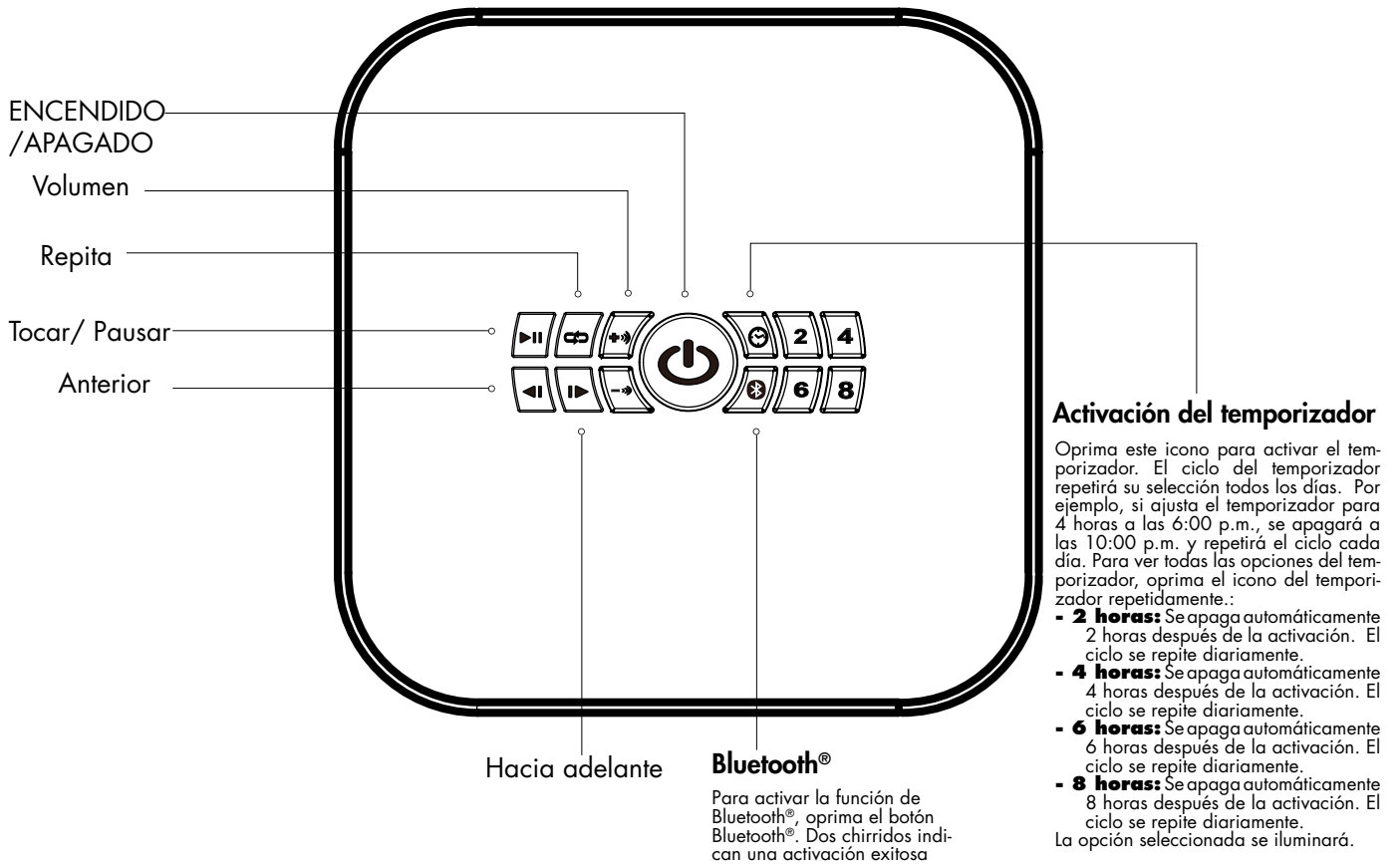
## 6 canciones incorporadas

- Dance of the Sugar Plum Fairy
- Deck The Halls
- Gemmy Christmas Medley
- Jingle Bells
- Religious Medley
- The Gemmy Bell Carol

## Características Clave:

- Capacidad para Bluetooth®
- Funcionalidad de temporizador
- Complementos adicionales para agregar su propia decoración iluminada
- Resistente a la intemperie
- Uso interior y exterior

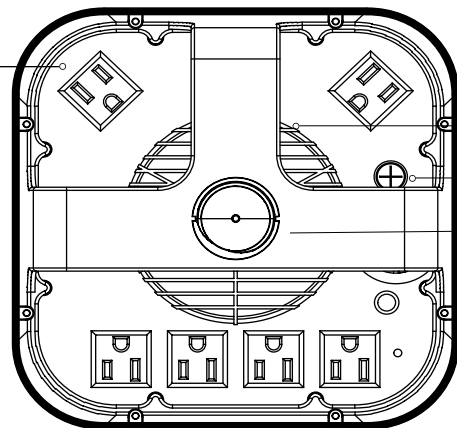
# VISTA SUPERIOR



VISTA LATERAL

Tomacorriente  
6 programas adicionales

Trípode o estaca  
convertible



VISTA INFERIOR

Altavoz

Fusible

Apertura de la estaca



## Importantes instrucciones de seguridad

1. Lea estas instrucciones.
2. Guarde estas instrucciones.
3. Obedezca todas las advertencias.
4. Siga todas las instrucciones.
5. No use este aparato cerca del agua.
6. Limpie sólo con un paño seco.
7. No bloquee las aperturas de ventilación. Instale de acuerdo con las instrucciones del fabricante.
8. No lo instale cerca de fuentes de calor como radiadores, registros de calefacción, estufas u otros aparatos (incluyendo amplificadores que produzcan calor).
9. No cambie el dispositivo de seguridad del enchufe polarizado o con conexión a tierra. Un enchufe polarizado tiene dos varillas, una más ancha que la otra. Un enchufe con conexión a tierra tiene dos varillas y una tercera a tierra. La varilla ancha o la tercera clavija se provee para su seguridad. Si el enchufe suministrado no entra en su tomacorriente, consulte a un electricista para reemplazar el tomacorriente obsoleto.
10. Proteja el cable de alimentación para que no sea pisado o pellizcado, particularmente cerca de los enchufes, receptáculos de conveniencia y el punto por donde salen del aparato.
11. Use sólo los accesorios especificados por el fabricante.



S3125A

12. Úselo sólo con el carrito, el stand, el trípode, el soporte o la mesa especificados por el fabricante o vendidos con el aparato. Tenga cuidado al mover la combinación del carro con el aparato para evitar lesiones ocasionadas por vuelcos.
13. Desenchufe este aparato durante tormentas eléctricas o cuando no se use durante largos períodos de tiempo.
14. Consulte a personas calificadas para darle servicio. Se requiere darle servicio cuando el aparato ha sido dañado de alguna manera, como daño al cable de alimentación o al enchufe, líquido u objetos han penetrado el aparato, el aparato ha estado expuesto a la lluvia o a la humedad, no funciona normalmente, o se ha caído.

**Este aparato es portátil.**

### PRECAUCIÓN:

El uso de controles o ajustes o realizar procedimientos diferentes a los especificados pueden ocasionar una exposición peligrosa a la radiación.



**PRECAUCIÓN:**

**RIESGO DE SHOCK  
ELÉCTRICO-NO ABRIR**



El símbolo de un rayo con punta de flecha dentro de un triángulo equilátero alerta al usuario sobre la presencia de "voltaje peligroso" no aislado dentro del producto que puede ser de suficiente magnitud como para constituir un peligro de electrocución para las personas.



El signo de exclamación dentro de un triángulo equilátero alerta al usuario sobre la presencia de instrucciones importantes de operación y mantenimiento (servicio) en la literatura que acompaña al aparato.

**¡Felicitaciones!** Usted es el orgulloso dueño de una Caja LightShow® con altavoz. Por favor, lea cuidadosamente las instrucciones antes de usarla.

**ADVERTENCIA:** No trate de armar u operar su Caja LightShow® con altavoz en condiciones de tiempo inclementes, incluyendo vientos inusualmente fuertes, lluvia torrencial o nieve que se acumula. Operar el producto durante estas condiciones extremas afectará el funcionamiento del producto.

**ADVERTENCIA DE SEGURIDAD:** Remueva todos los amarres plásticos y las etiquetas. Son parte del empaque y deben descartarse.

**NOTA:** Este artículo no es un juguete y debe usarse sólo con fines decorativos.

**GUARDE ESTAS INSTRUCCIONES** – Este manual contiene importantes instrucciones de seguridad y operación para unidades eléctricas.

Cuando se usan productos eléctricos, siempre se deben practicar precauciones básicas, incluyendo las siguientes:

1. **LEA Y SIGA TODAS LAS INSTRUCCIONES DE SEGURIDAD.**
2. Lea y siga todas las instrucciones que están sobre el producto o incluidas con el producto.
3. Para una unidad eléctrica de cordón permanente o conexión directa, no utilice un cable de extensión.
4. Consulte el Código Eléctrico Nacional, ANSI/ NFPA 70, específicamente para la instalación de cableado y las distancias de conductores eléctricos.
5. El trabajo de instalación de conductores eléctricos debe ser realizado por personas calificadas con sujeción a todos los códigos y estándares aplicables, incluyendo la construcción a prueba de incendios.
6. Para una unidad eléctrica de cordón permanente o conexión directa, no lo instale ni use a menos de 10 pies de una piscina.
7. Para una unidad eléctrica de cordón permanente o conexión directa, no lo use en un baño.
8. Donde el enchufe a la RED o un acoplador de electrodomésticos se utiliza como dispositivo de desconexión, el dispositivo de desconexión debe permanecer fácilmente operable.
9. **ADVERTENCIA: Peligro de electrocución.** Cuando se use en exteriores, instálelo solamente con un dispositivo de seguridad Clase A (GFCI) cubierto que sea impermeable con la unidad eléctrica conectada al dispositivo. Si no hay uno disponible, debe contactar a un electricista calificado para su instalación adecuada. Asegúrese que ni la unidad eléctrica ni el cordón eviten cerrar la tapa del dispositivo.
10. **ADVERTENCIA: Peligro de incendio.** La instalación requiere métodos especiales de alambrado y pasar alambres por la estructura de un edificio. Consulte a un electricista calificado.

## IMPORTANTES INSTRUCCIONES DE SEGURIDAD PARA LA CAJA LIGHTSHOW® CON ALTAVOZ

## ADVERTENCIA

1. El enchufe principal debe estar conectado a una toma de corriente de la RED con protección de conexión a tierra.
2. **ADVERTENCIA:** Para evitar lesiones, este aparato debe estar firmemente sujeto al piso de acuerdo con las instrucciones de instalación.
3. El enchufe a la RED debe permanecer fácilmente operable.
4. **PRECAUCIÓN:** Estas instrucciones de mantenimiento son para uso exclusivo del personal de servicio calificado. Para reducir el peligro de electrocución, no realice ningún servicio que no sea el que se incluye en las instrucciones de funcionamiento a menos que usted esté calificado para hacerlo.
5. El posicionamiento mecánico se logra mediante herramientas normalmente disponibles o mediante herramientas especiales provistas por la organización responsable de proveer el aparato como parte del kit de instalación.
6. Las conexiones eléctricas se realizan utilizando TERMINALES y conexiones existentes en el aparato o en el cableado del edificio.

## CONTENIDO DEL PAQUETE

Caja LightShow®	1
Estaca de la Caja LightShow®	1
Fusible extra, 8A, 125V	1

# PREPARACIÓN

Antes de comenzar el ensamblaje, saque todas las piezas de la caja. Compare la lista de partes con el diagrama de más arriba. Si alguna pieza falta o está dañada, no trate de armar o usar el producto.

•Tiempo estimado de ensamblaje: 10 a 15 minutos.

# INSTRUCCIONES DE ENSAMBLAJE

1. Saque el contenido de la caja y póngalo en una superficie limpia y plana. Ármela cerca del área donde desea instalar la Caja LightShow®.
2. Atornille la estaca de la Caja LightShow® en la apertura que está en la parte de abajo de la Caja LightShow® y apriétela en su lugar. Inserte la estaca del LightShow® en la tierra. **Nota:** La estaca se puede convertir en un trípode sujetando el centro de la estaca donde está marcado y tirando suavemente.
3. Enchufe la Caja LightShow® en un tomacorriente estándar.
4. Usando los tomacorrientes en la parte inferior de la Caja LightShow®, enchufe sus guirnaldas de luces personales u otra decoración iluminada. **Nota:** Cada tomacorriente está clasificado para un máximo de 1.25 Amps. Hacemos hincapié en que no se debe exceder esta cantidad máxima.
5. Los dispositivos inteligentes equipados con conectividad Bluetooth® pueden usar la Caja LightShow® como un altavoz. Siga estos pasos para conectar su dispositivo Bluetooth® a la Caja LightShow®:
  - A. Asegúrese que la función Bluetooth® de su dispositivo móvil está encendida (ON).
  - B. Toque el icono Bluetooth® en la Caja LightShow®.
  - C. Vea cómo el dispositivo de la Caja LightShow® se sincroniza con su dispositivo.
  - D. Su Caja LightShow® está lista ahora para usarla como altavoz.
6. Opcional: Ajuste el temporizador para el período de tiempo deseado (Vea el diagrama en la página 2).

# ALMACENAJE

No deseche la caja, ya que debe usarse para almacenaje. De ser posible, regrese todas las partes de la Caja LightShow® al empaque original. Guárdela en un lugar fresco y seco.

# Preguntas frecuentes

1. **¿Puedo dejar mi Caja LightShow® con altavoz funcionando toda la noche?**  
Sí, usted puede operar su Caja LightShow® con altavoz durante el día y la noche. Le recomendamos que apague su Caja LightShow® con altavoz cuando salga del área inmediata y cuando se retire por la noche.
2. **¿Cuántos artículos puedo enchufar a mi Caja LightShow® con altavoz?**  
La Caja LightShow® con altavoz tiene seis tomacorrientes para que usted cree su propio LightShow®. Cada tomacorriente está clasificado para un máximo de 1.25 Amps. Hacemos hincapié en que no se debe exceder esta cantidad máxima.
3. **¿Cuál es la mejor manera de guardar mi Caja LightShow® con altavoz?**  
Guárdela bien seca en una bolsa, caja u otro contenedor para empaque en un lugar fresco y seco. De ser posible, recomendamos que use la caja original.
4. **¿Afectará el mal tiempo el funcionamiento de mi Caja LightShow® con altavoz?**  
Debido a la naturaleza de las conexiones de la caja de control, no se recomienda el funcionamiento de su Caja LightShow® con altavoz durante condiciones climáticas extremas, como nieve, lluvia o tormentas de viento.

# ADVERTENCIA

## RF RADIATION EXPOSURE STATEMENT

**NOTA:** Este equipo ha sido probado y cumple con los límites para un aparato digital Clase B, de conformidad con la Parte 15 de las Normas de la Comisión Federal de Comunicaciones (FCC). Estos límites están diseñados para proveer una protección razonable contra interferencias perjudiciales en una instalación residencial. Este equipo genera, utiliza y puede irradiar energía de radiofrecuencia y, si no se instala y utiliza de acuerdo con las instrucciones, puede causar interferencias molestas en las comunicaciones de radio. Sin embargo, no hay garantía de que no se produzcan interferencias en una instalación en

particular. Si este equipo causa interferencias molestas en la recepción de radio o televisión, lo cual puede determinarse apagando y encendiendo el equipo, se recomienda intentar corregir la interferencia por medio de una o más de las siguientes medidas:

- Reorientar o reubicar la antena receptora.
- Aumentar la separación entre el equipo y el receptor.
- Conectar el equipo a un tomacorriente o a un circuito distinto al que está conectado el receptor
- Pedir ayuda al vendedor o a un técnico con experiencia en radio y televisión.

Este aparato se ajusta a la Parte 15 de las Normas de la Comisión Federal de Comunicaciones (FCC). El funcionamiento está sujeto a las siguientes condiciones: (1) este aparato no puede causar interferencias perjudiciales, y (2) este aparato debe aceptar cualquier interferencia recibida, incluyendo interferencias que puedan causar un funcionamiento indeseado.

**Nota:** El fabricante no es responsable por ninguna interferencia de radio o TV causada por modificaciones a este equipo no autorizadas. Tales modificaciones pudieran anular la autoridad del usuario para operar este equipo

Este dispositivo cumple con los estándares RSS exentos de licencia de Industry Canada. El funcionamiento está sujeto a las siguientes dos condiciones: (1) este aparato no puede causar interferencias, y (2) este aparato debe aceptar cualquier interferencia, incluyendo interferencias que puedan causar un funcionamiento indeseado del aparato.

El aparato ha sido evaluado para cumplir con los requisitos generales de exposición a RF de FCC y RSS-102. El dispositivo se puede usar en condiciones de exposición portátil sin restricciones.

Estas instrucciones se refieren al siguiente número de artículo: 883103

QD ID: XXXXXX

Visite [WWW.GEMMY.COM](http://WWW.GEMMY.COM) para más información.

©2024 GEMMY INDUSTRIES CORP.  
117 WRANGLER DRIVE. SUITE 100  
COPPELL, TX 75019 U.S.A.  
1(800) 274-6717  
HECHO EN CAMBOYA  
IMPRESO EN CAMBOYA



## FCC Warning

This device complies with part 15 of the FCC Rules. Operation is subject to the following two conditions: (1) This device may not cause harmful interference, and (2) this device must accept any interference received, including interference that may cause undesired operation.

Any Changes or modifications not expressly approved by the party responsible for compliance could void the user's authority to operate the equipment.

**Note:** This equipment has been tested and found to comply with the limits for a Class B digital device, pursuant to part 15 of the FCC Rules. These limits are designed to provide reasonable protection against harmful interference in a residential installation. This equipment generates uses and can radiate radio frequency energy and, if not installed and used in accordance with the instructions, may cause harmful interference to radio communications. However, there is no guarantee that interference will not occur in a particular installation. If this equipment does cause harmful interference to radio or television reception, which can be determined by turning the equipment off and on, the user is encouraged to try to correct the interference by one or more of the following measures:

- Reorient or relocate the receiving antenna.
- Increase the separation between the equipment and receiver.
- Connect the equipment into an outlet on a circuit different from that to which the receiver is connected.
- Consult the dealer or an experienced radio/TV technician for help.

This equipment complies with FCC radiation exposure limits set forth for an uncontrolled environment. This equipment should be installed and operated with minimum distance 20cm between the radiator & your body.