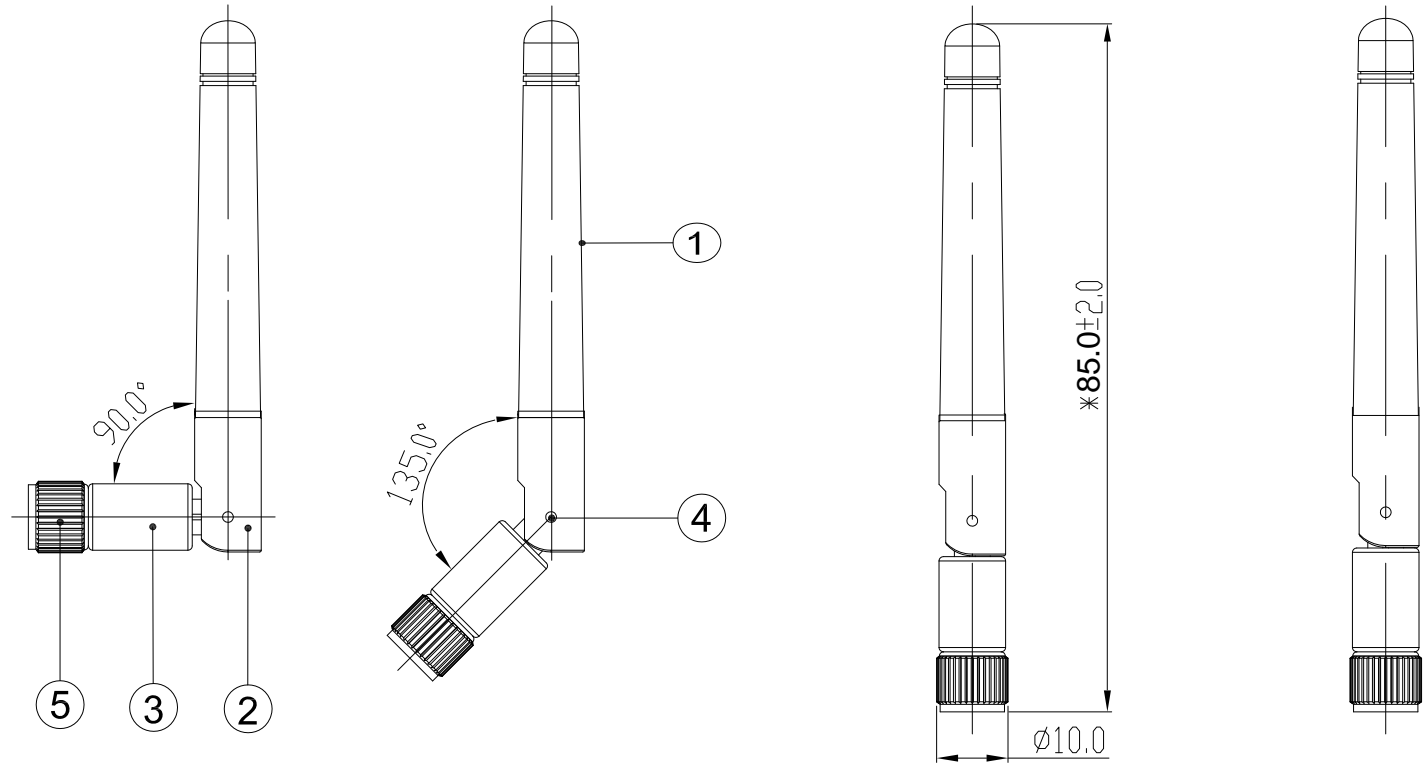


## Antenna specification

NO.	内容 (Contents)	页数 (Number of Page)	页码 (Page Code)
1	承认书封面 (Spec Cover)	1	1
2	承认书项目表 (Spec Item )	1	2
3	工程成品图 (Drawing)	1	3
4	电性测试报告 (Test Reports )	1	4
5	S 参数测试 (S Parameter )	1	5
6	增益测试 (Gain Test )	1	6
7			
8			
9			
10	-	-	-
11	-	-	-
12	-	-	-

SIGN	DATE	DESCRIPTION	APPROVER
△			
△			
△			



Noted :  
 1.Unmarked tolerance refer to the standard tolerance please.  
 2.Take\*dimension is the important dimension.

5	R-SMA260-ZC8MNANT	SMA Male	Zn	Eleetrodeposition
4	R-AN01-1213Z	Pin	Cu	Black
3	R-AN57-01	Body3	PC	Black
2	R-AN57-02	Body2	PC	Black
1	R-AN57-03	Body1	TPE	Black
NO.	Part Number	Description	Material	Finish

# 东莞市脉讯电子有限公司

TITLE: 2.4GHz Antenna				
PART NO.: AN2400-			DWG NAME: AN2400- 8510.DWG	
APPROVED BY	CHECKED BY	DESIGNED BY		Tolerance
jeff 2013-07-20	leon 2013-07-20	YD 2013-07-20	UNITS: mm	X.X ±0.30
			SCALE: 1/1	X.XX ±0.10
			REVISION: A	X° ±3°

# 电性测试报告

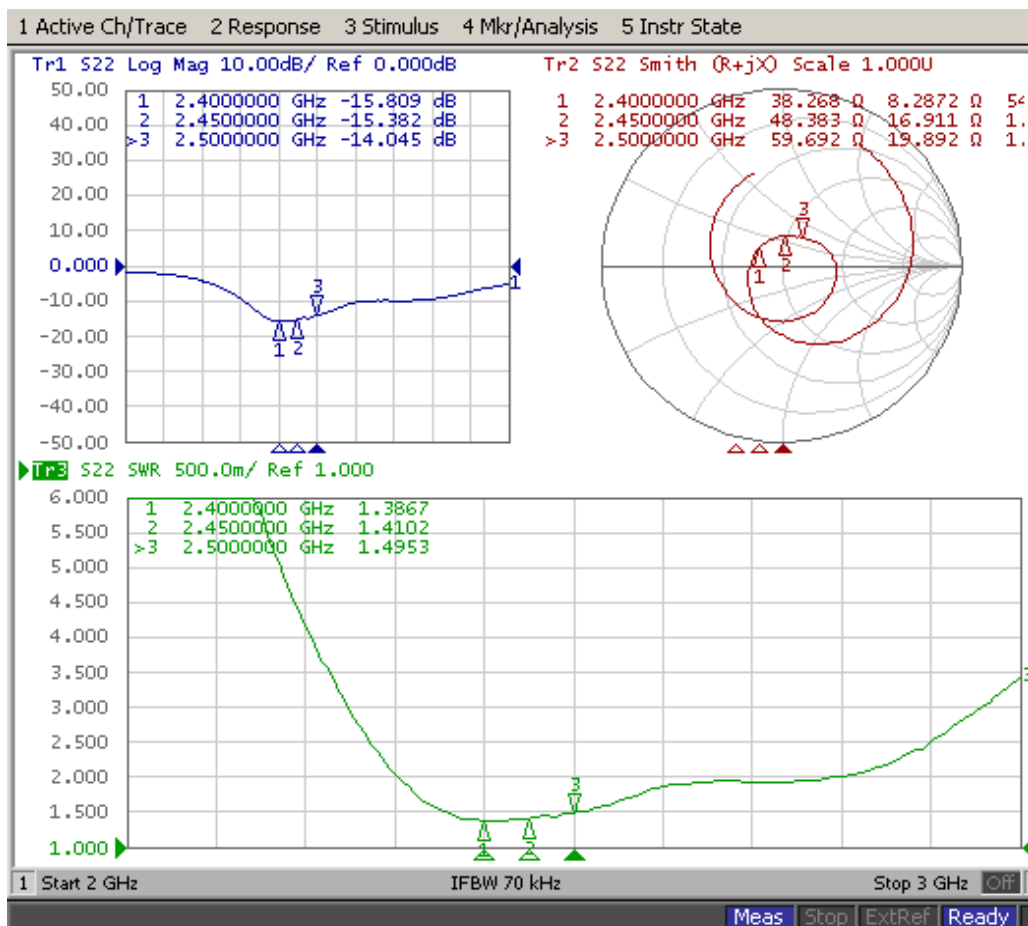
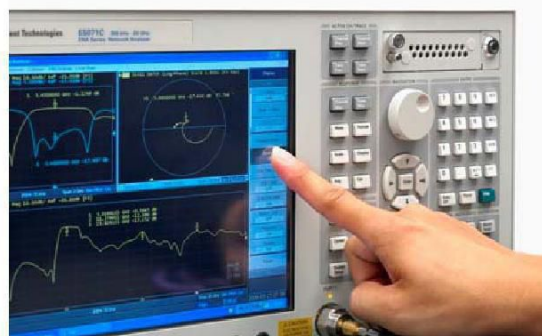
## Test Reports

Sample Photo	
	
A. Electrical Characteristics	
Frequency	2400 ~ 2500 MHz
S.W.R.	$\leq 2.0$
Antenna Gain	3 dBi
Polarization	Linear
Impedance	50 Ohm
B. Material & Mechanical Characteristics	
Material of Radiator	Cu
Material of Plastic	Body: TPE Hinge: PA+ABS Holder: PA+ABS
Cable Type	RG-178
Connector Type	SMA Male Reverse
Connector Pull Test	$\geq 3$ Kg
Connector Torque Test	200~600g.cm
C. Environmental	
Operation Temperature	- 40 °C ~ + 65 °C
Storage Temperature	- 40 °C ~ + 80 °C

# S 参数测试

## S Parameter Test

*Agilent E5071C*



# 增益测试

## Gain Test

*Antenna  
Radiation  
Pattern  
VS  
Gain*

