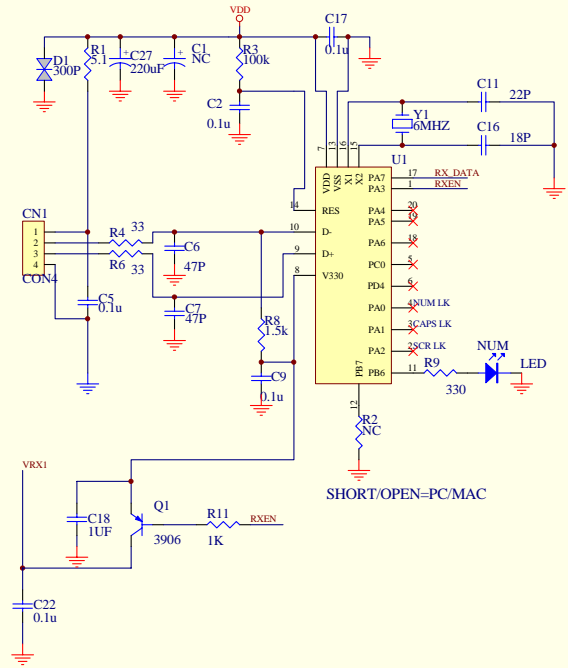
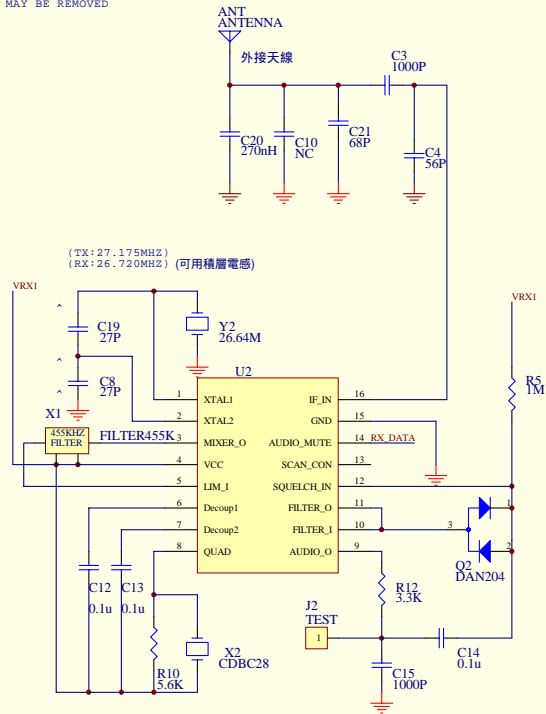


Title			WKP-250 (Transmitter)		
Size	Number	W2501		Revision	
A3					
Date:	10-Mar-2005			Sheet of	
File:	D:\pcb\備用夾\WKP250\W2501.ddb			Drawn By:	

* FINE TUNE PARTS (ACCORDING TO PCB LAYOUT)
 ^ FINE TUNE PARTS (ACCORDING TO CRYSTAL VANDOR)
 & MAY BE REMOVED

REV.	HISTORY	DATE



VOLT	CURRENT
2V	1.5mA
3V	1.83mA
4V	2.18mA
5V	2.47mA

FREQ	TOLERANCE
CRYSTAL	±± 20PPM
LO OSC	±± 500Hz

SHORT/OPEN=PC/MAC

Title WKP-250 (RECEIVER)		
Size A3	Number W7k01	Revision
Date: 10-Mar-2005	Sheet of	
File: D:\pcb\備用英\W7K\W7K.ddb	Drawn By:	