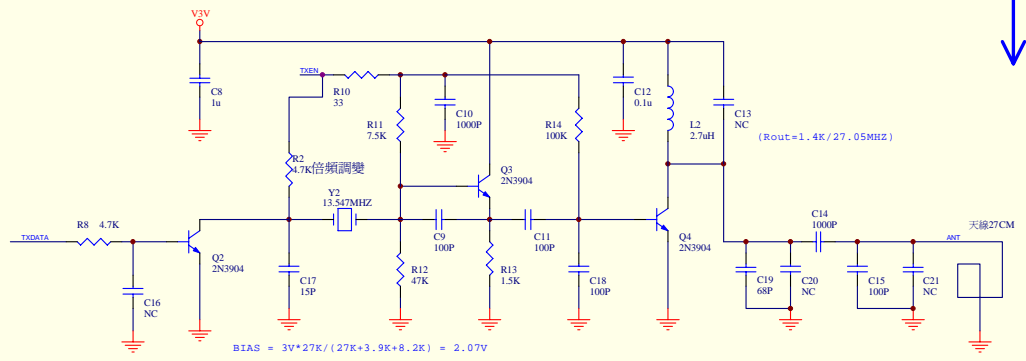
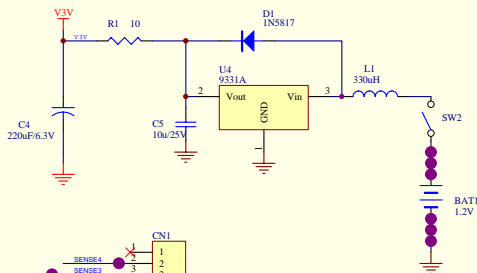
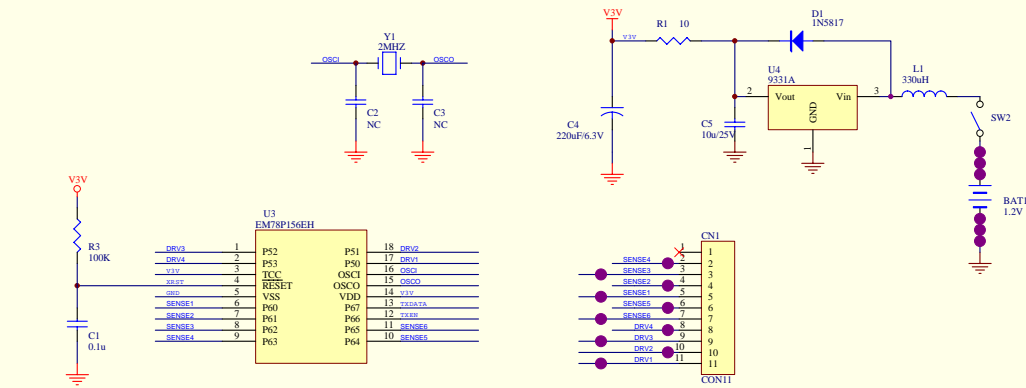
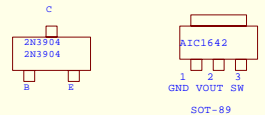


● 測試點



$$BIAS = 3V \times 27K / (27K + 3.9K + 8.2K) = 2.07V$$

PCB ANTENNA
45MIL*10 INCH LOOP
25.4NH/INCH
TX = 27.0175MHz
272P / 126NH



IC PIN

	6	7	8	9	10	11	
							1
17	7 HOME	4 ←	1 END	BS	NUM LOCK	Tab	11
18	8 ↑	5	2 ↓	0 INS	/		10
1	9 Pg Up	6 →	3 Pg Dn	*	-		9
2	+	000	ENTER (L)		ID SW	00	8
	5	4	3	2	6	7	

←
↑
CN3

Title			WKP-100(Transmitter)		
Size	Number	Revision			
A3	W10				
Date:	10-Sep-2007	Sheet of			
File:	C:\Documents and Settings\rds\My Documents\W10\B2.DDB				