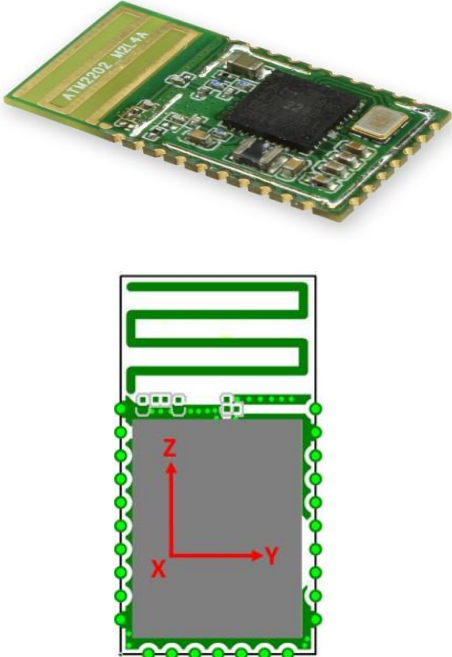
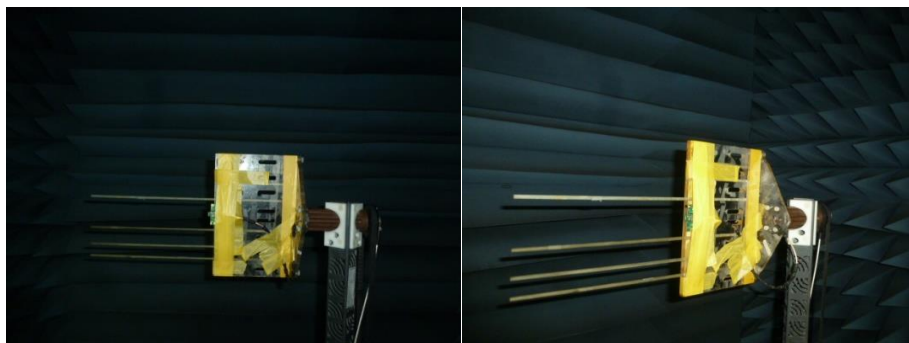


Antenna Report  
Atmosic Technologies, Inc.,  
Model: ATM2-MOD-A

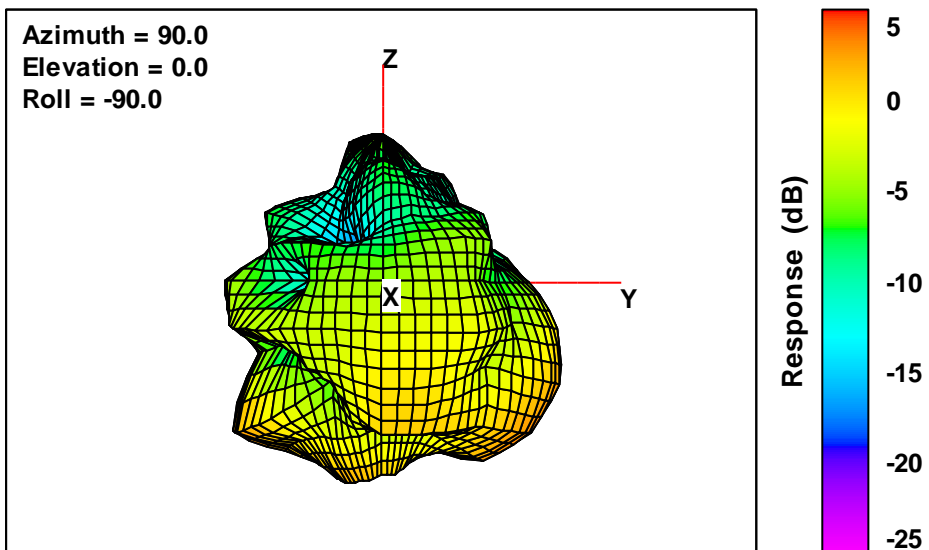
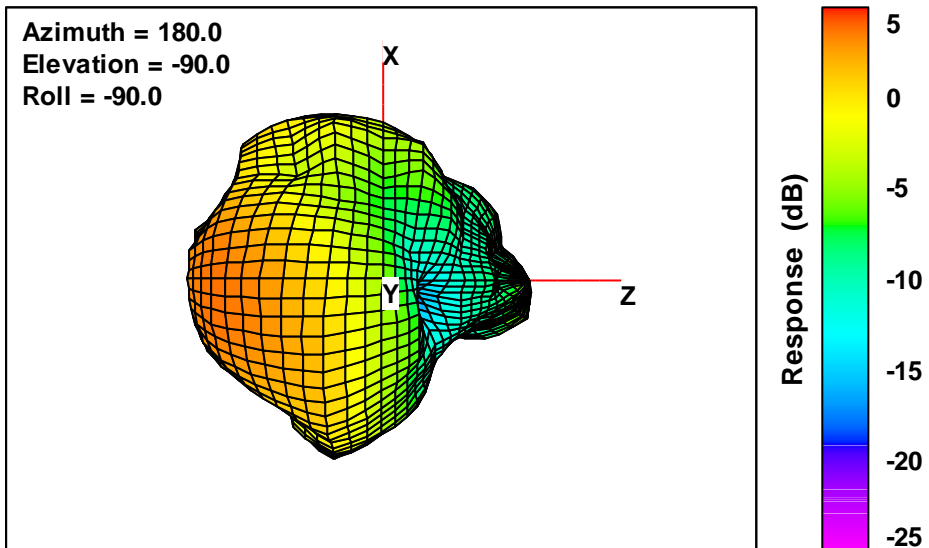
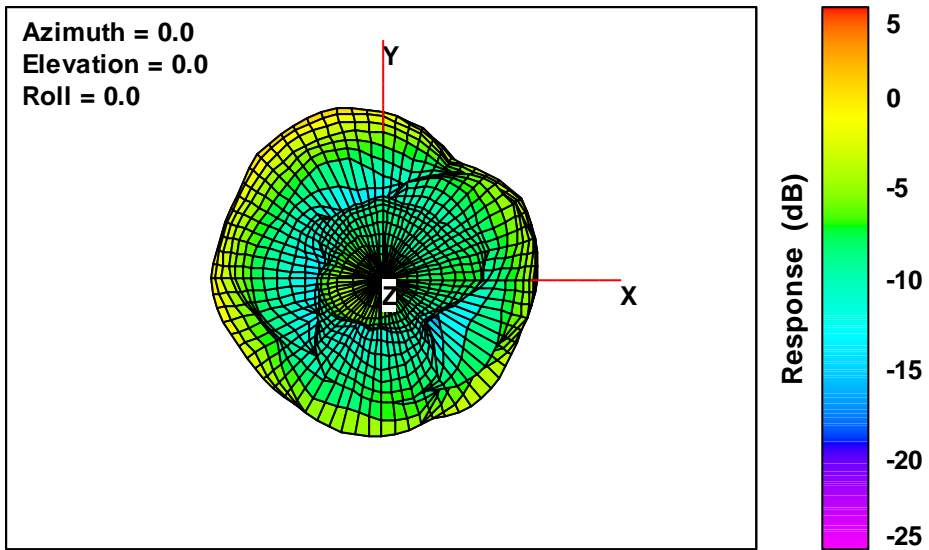
Manufacture	Atmosic Technologies
Address	2105 S. Bascom Ave, Ste. 220, Campbell CA, 95008, USA

Antenna Specification		Antenna View
Antenna Type	PCB	
Peak Gain	4.21dbi	
Frequency	2402-2480 MHz	

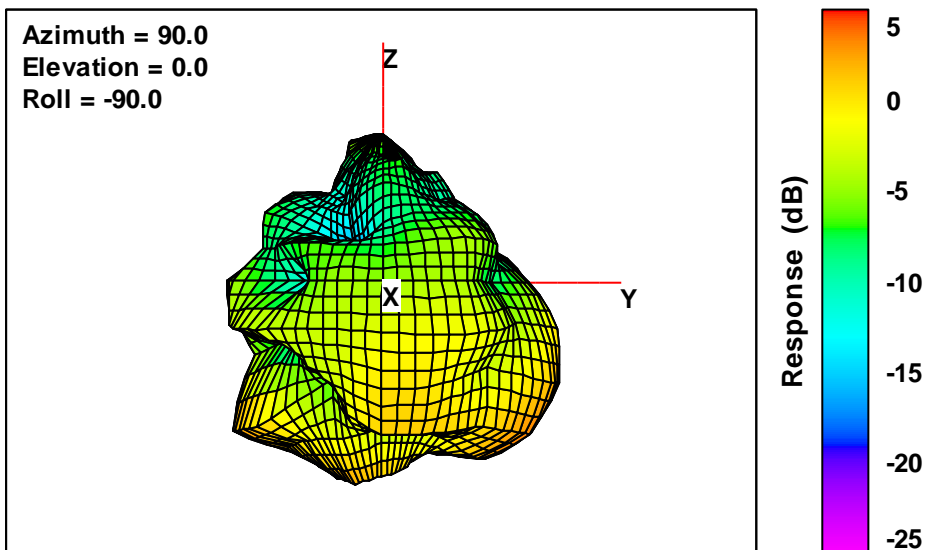
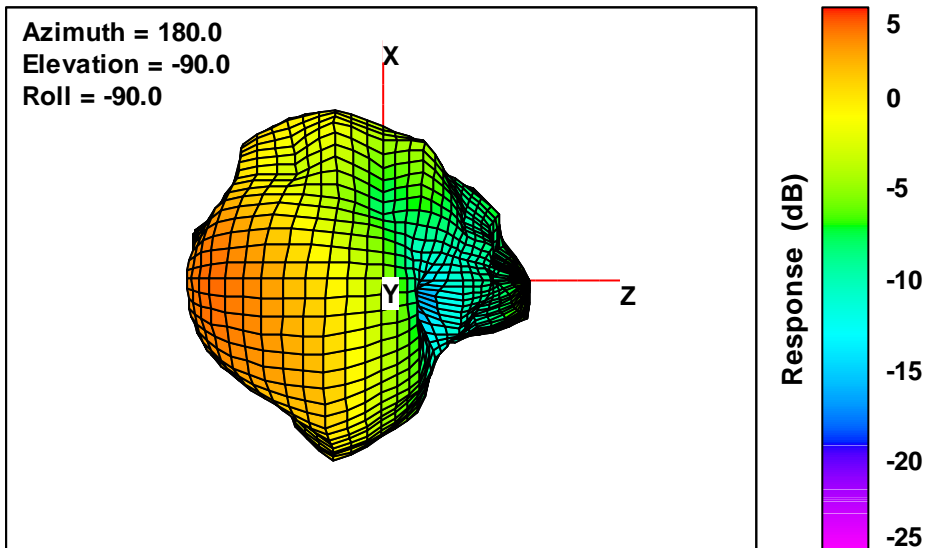
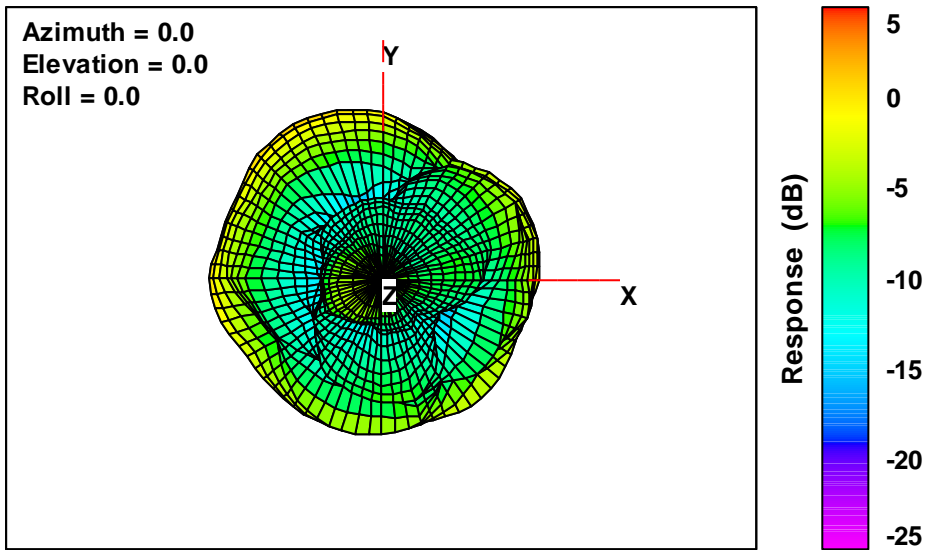
Test / Position	Gain /Free Space			
	2402	2403	2441	2480
Ant. Port Input Pwr. (dB )	0	0	0	0
<b>Tot. Rad. Pwr. (dB )</b>	<b>-2.96</b>	<b>-2.92</b>	<b>-3.01</b>	<b>-3.89</b>
<b>Peak EIRP (dB )</b>	<b>4.42</b>	<b>4.38</b>	<b>4.21</b>	<b>3.27</b>
Directivity (dBi)	7.38	7.30	7.22	7.17
Efficiency (dB)	-2.96	-2.92	-3.01	-3.89
Efficiency (%)	<b>50.59</b>	<b>51.00</b>	<b>50.00</b>	<b>40.80</b>
Gain (dBi)	4.12	4.18	4.21	3.27
NHPRP $\pm\pi/4$ (dB )	-4.92	-4.88	-5.10	-6.05
NHPRP $\pm\pi/6$ (dB )	-6.83	-6.78	-7.05	-7.98



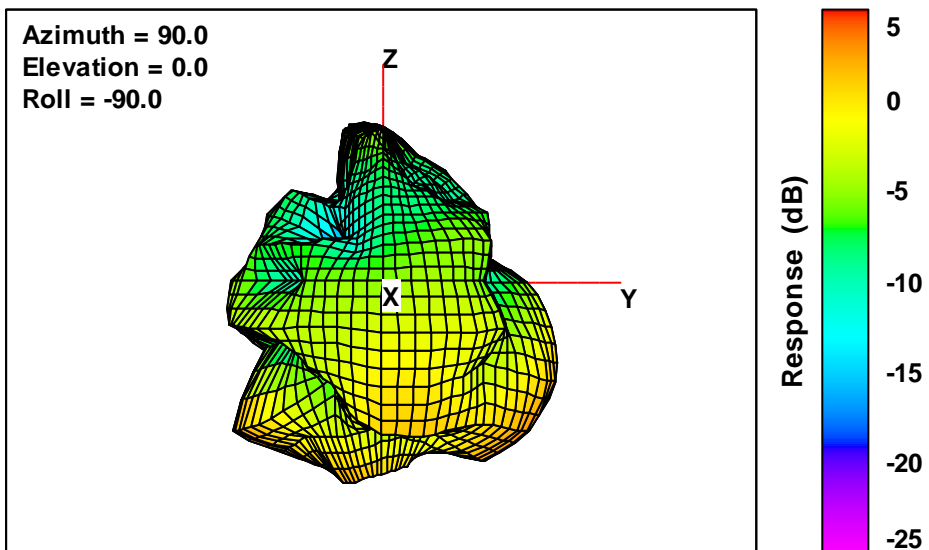
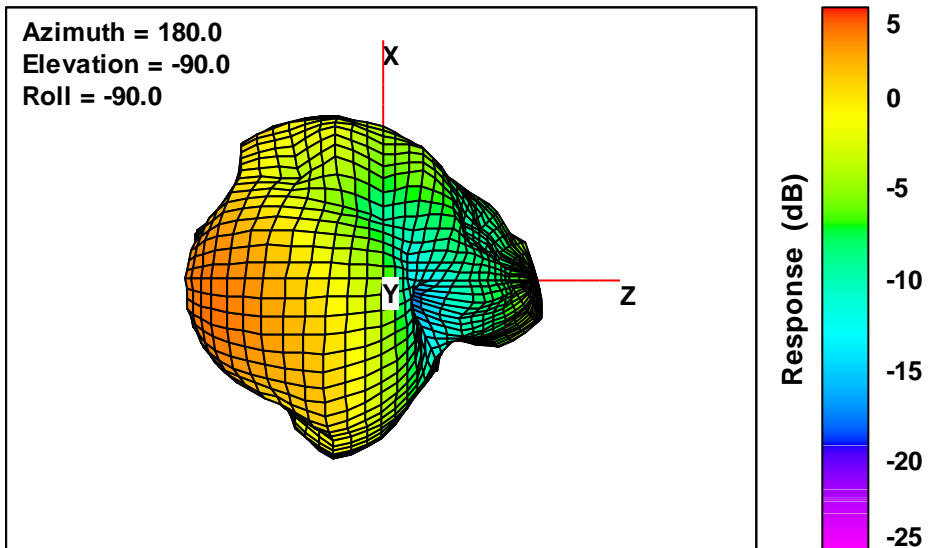
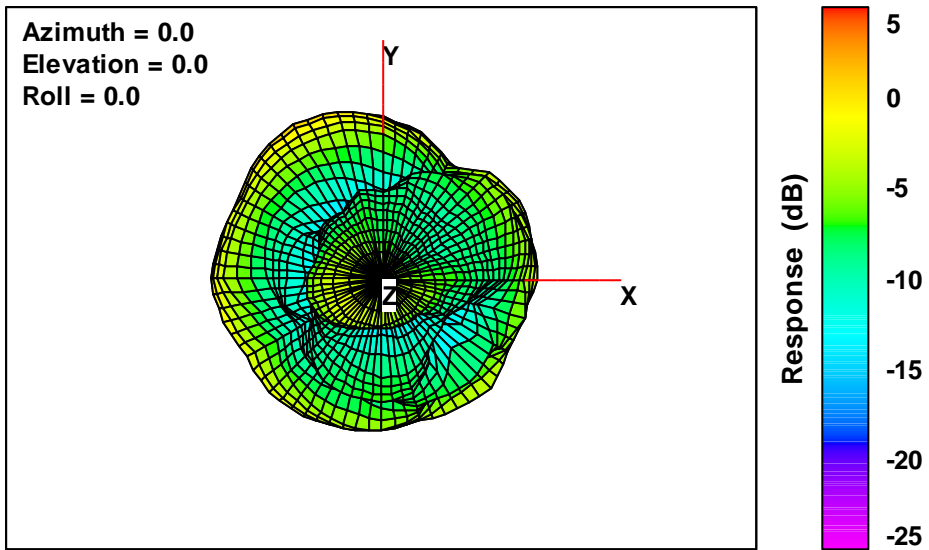
# 2402MHz



# 2403MHz



# 2441MHz



# 2480MHz

