

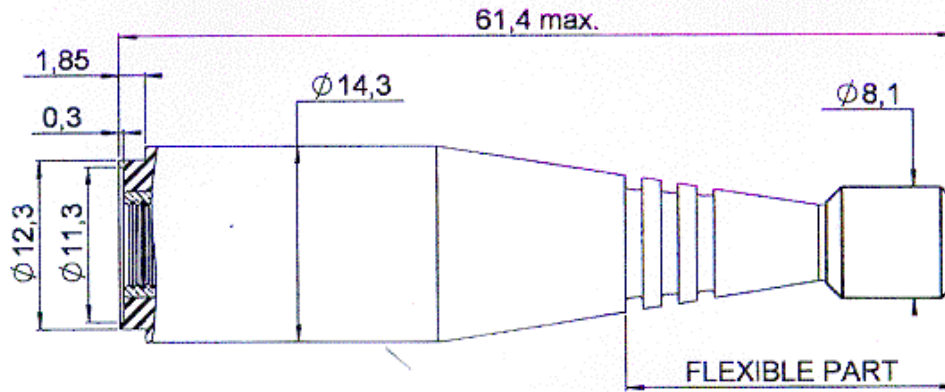
**STRAIGHT DIPOLE REVERSE SMA 2.4GHZ  
OMNIDIRECTIONAL ANTENNA**

**EPA 02-016**

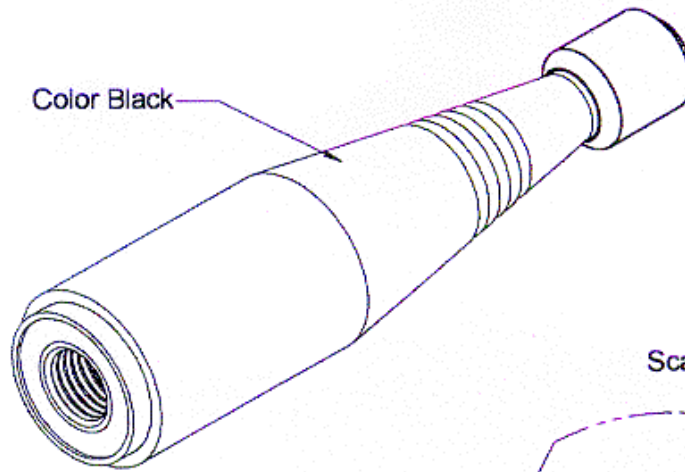
Series : ANTENNE

Scale 2:1

Specification Nbr. : 20667-XXX Rev. A

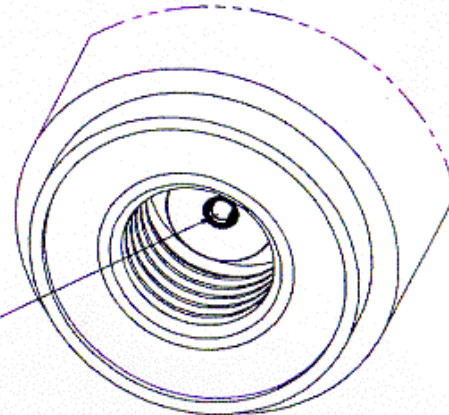


Color Black



Scale 4:1

REVERSE  
SMA PLUG



All dimensions are in mm



Issue : 0225 B

In the effort to improve our products, we reserve the right to make changes judged to be necessary.

**RADIALL/LARSEN**  
antenna technologies

PRELIMINARY