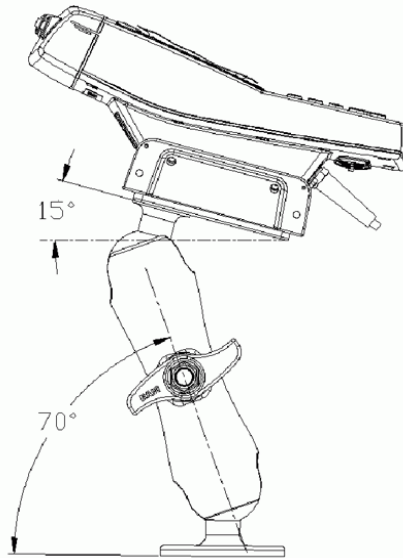


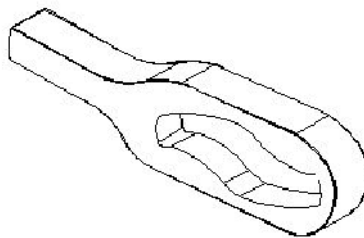
1. Select the best orientation for your specific application. Preferred orientations maintain the centre of mass of the vehicle-mount assembly, directly over the centre of the base.

Orientation Of Vehicle-Mount Assembly



The tilt and rotation of the cradle can be adjusted by the operator. Keep in mind that if the handscrew is loosened, the cradle can slip causing harm to the operator or damage to equipment. Also note that under extreme vibration, the mount may slowly 'settle'. Occasional readjustment and tightening of the handscrew may be required. Psion Teklogix offers a tightening tool (P/N 9000594) which can be used to minimize settling.

Tightening Tool



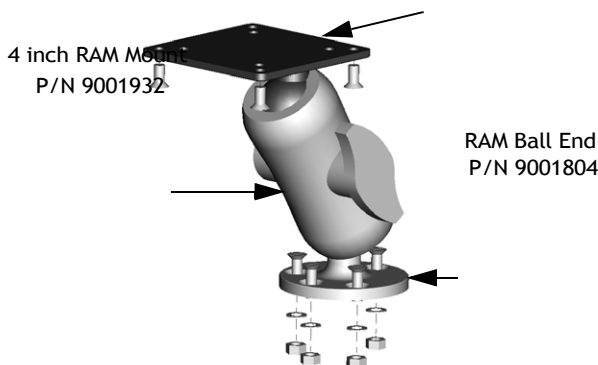
The platform on which you secure the vehicle-mount must be strong enough to support 5 kg. Never attach the mount to a plastic dash or a wooden platform without the appropriate backing plate and bracing. In addition, you must provide operator access at the top, bottom, and sides of the unit.

RAM Mount Kit P/N 1008447

Keyboard RAM Mount

RAM Mount Kit

Vesa Plate
P/N 9001934



You can install two vesa plates or one each of a vesa plate and a RAM ball end to the RAM mount.

With the keyboard RAM ball end or vesa plate(s) installed on the RAM mount:

- Attach the RAM mount to a standard cradle (P/N 1008442) using the hardware included with your kit.
 - Attach the other end of the mount to almost any surface. The ball design allows both ends of the RAM mount to be angled to suit the operator's needs.
2. **Attaching the mounting bracket to the vehicle-mount:** The kit provides four screws and washers that are used to secure the mounting bracket to the vehicle-mount. Place screw (D) through washer (C) and mounting bracket (B) and affix to the vehicle-mount (A). Torque to 23 in-lbs.