

NOTES:
 1. COMPONENTS WITH A - ARE FREQUENCY DEPENDENT VALUES.

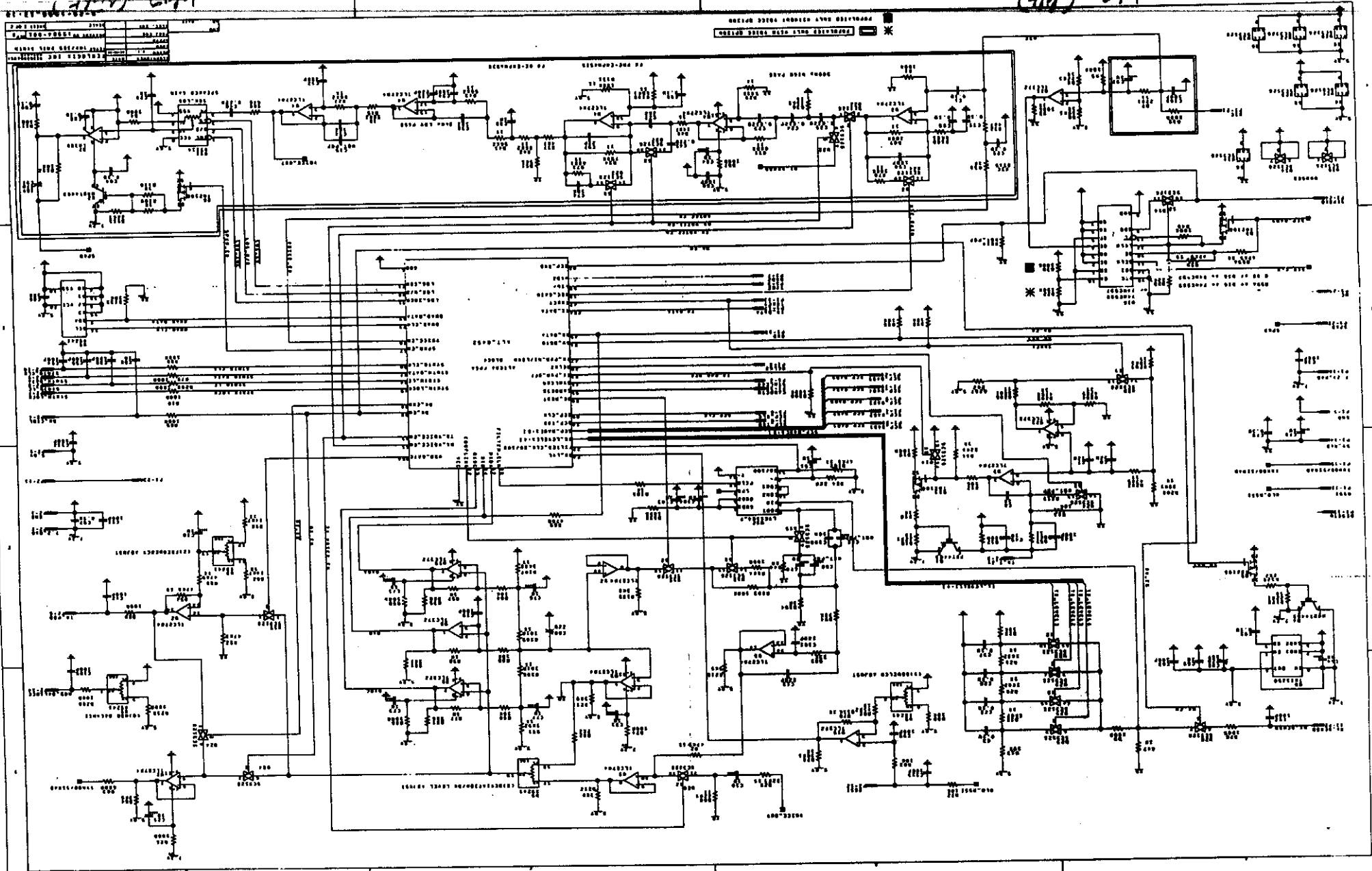
REVISED FOR DDG MAPS TO MET OASD SPEC. DRAWING AND 5.2.1C.
REVISED FOR DDG FORMS AND MOUNT. FOR REV. 2 CHANGE.
REVISED FOR DDG FORMS AND MOUNT. FOR REV. 3 CHANGE.
REVISED FOR DDG FORMS AND MOUNT. FOR REV. 4 CHANGE.
REVISED FOR DDG FORMS AND MOUNT. FOR REV. 5 CHANGE.

NOV 17 1957

COMPANY CONFIDENTIAL

DATE	DESCRIPTION	BY	APPROVED
0-4-55	DL3474 Synthesized UHF Telemetry Unit		
			D-025-3474-030

1st 2



REV.	DATE	BY	CHKD.
001	10/20/77
002	11/15/77
003	12/10/77
004	01/05/78
005	02/01/78
006	03/01/78
007	04/01/78
008	05/01/78
009	06/01/78
010	07/01/78
011	08/01/78
012	09/01/78
013	10/01/78
014	11/01/78
015	12/01/78

(1/2) 2/2

(1/2) 2/2

