

X position:

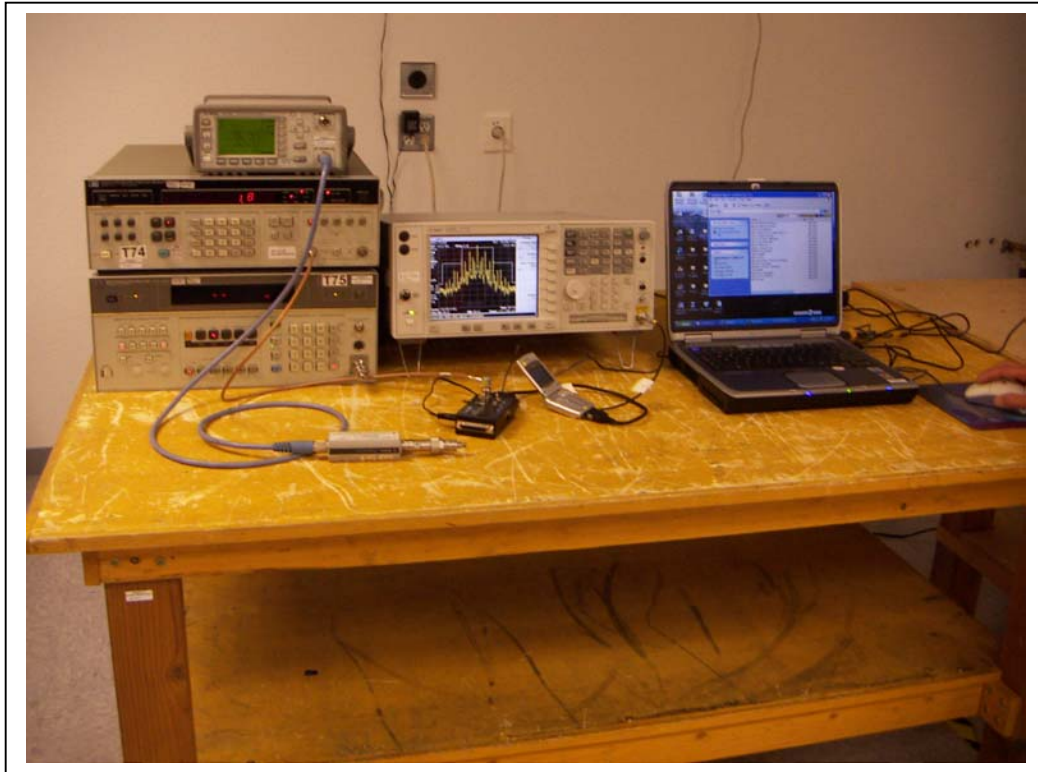


Y position:



Z position:





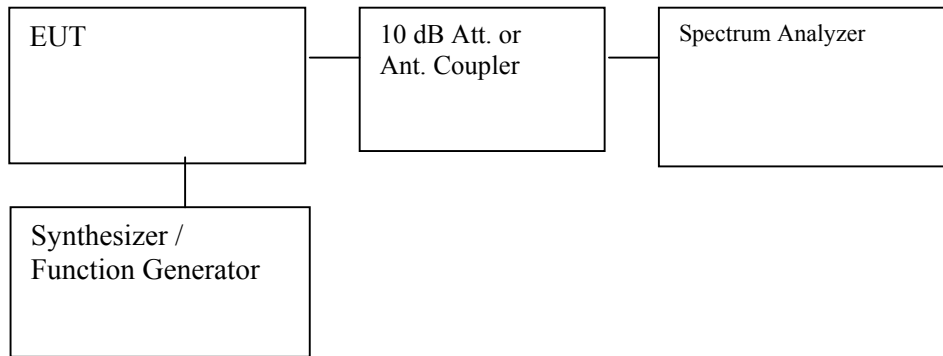
MEASUREMENT INSTRUMENT

| TEST EQUIPMENT LIST | | | | |
|---------------------|--------------|-----------|------------|-----------|
| Name of Equipment | Manufacturer | Model No. | Serial No. | Due Date |
| Spectrum Analyzer | HP | E4446A | US42510266 | 7/23/2005 |
| Function Generator | HP | 3325A | 2652A24749 | 5/8/2005 |
| Modulation Analyzer | HP | 8901B | 3438A05272 | 6/23/2005 |

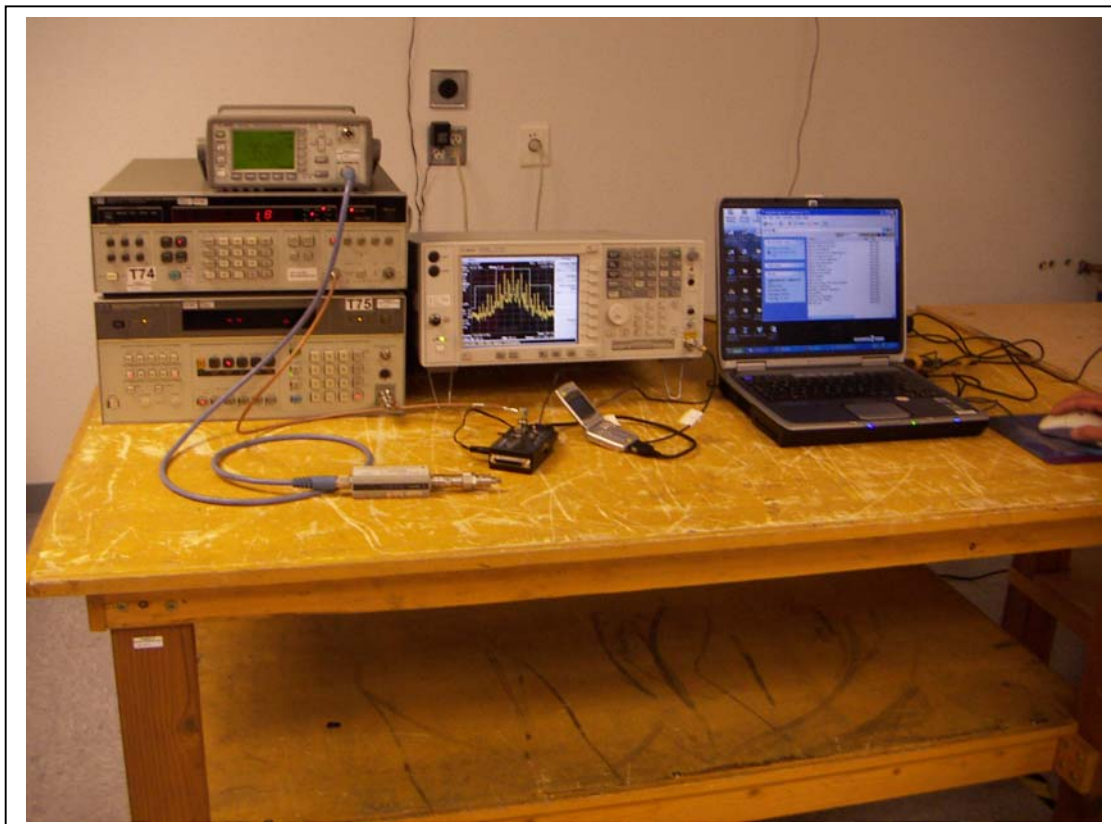
7.3. OCCUPIED BANDWIDTH FOR AMPS MODULATION:

PROVISIONS APPLICABLE

According to CFR 47 section 22.917, the authorized bandwidth for emission type of F3E unit is 20 KHz.



Set-up Photo



Test Setup Photos

