

X position:

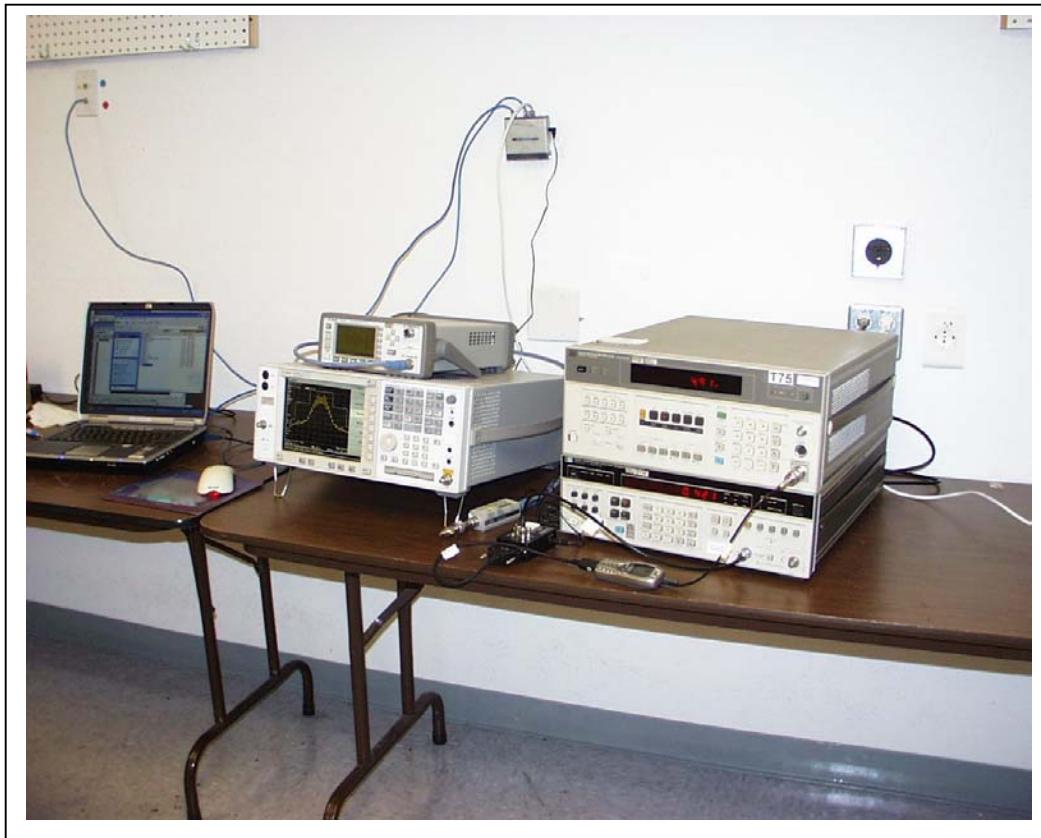


Y position:



Z position:





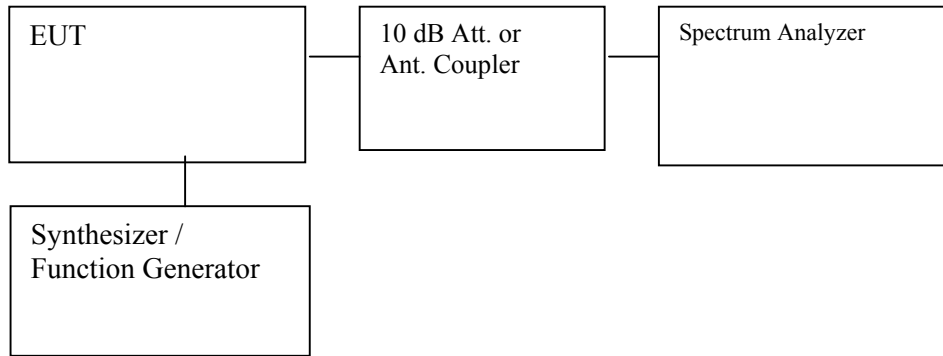
MEASUREMENT INSTRUMENT

TEST EQUIPMENT LIST				
Name of Equipment	Manufacturer	Model No.	Serial No.	Due Date
Spectrum Analyzer	HP	E4446A	US42510266	7/23/2004
Function Generator	HP	3325A	2652A24749	5/8/2005
Modulation Analyzer	HP	8901B	3438A05272	6/23/2005

7.3. OCCUPIED BANDWIDTH FOR AMPS MODULATION:

PROVISIONS APPLICABLE

According to CFR 47 section 22.917, the authorized bandwidth for emission type of F3E unit is 20 KHz.



Set-up Photo



Test Setup Photos

