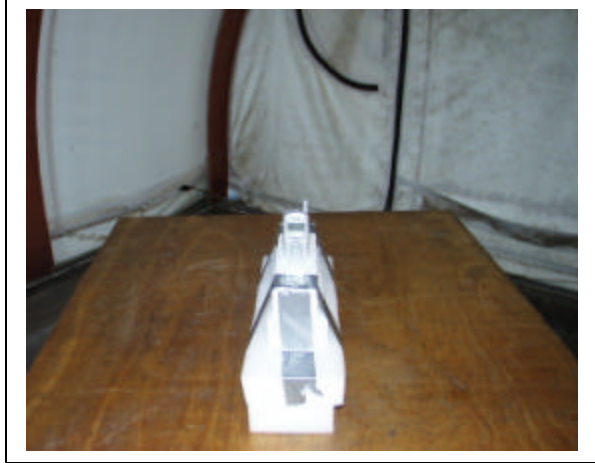
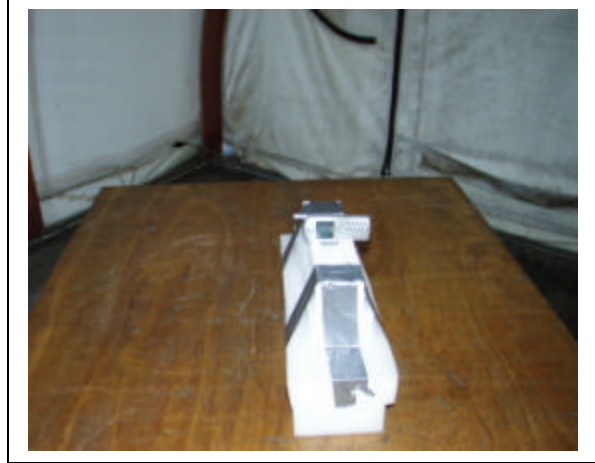


Y position:



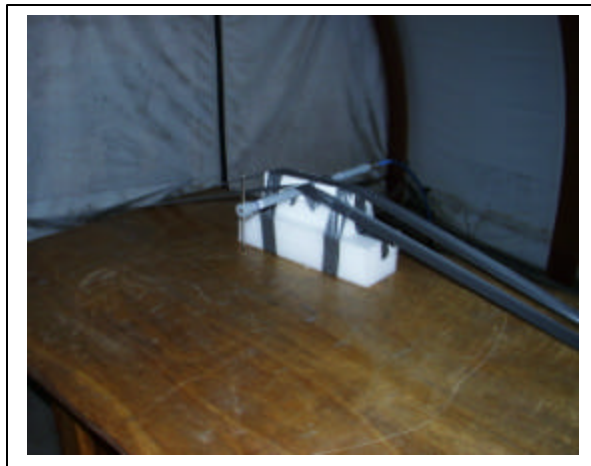
Z position:

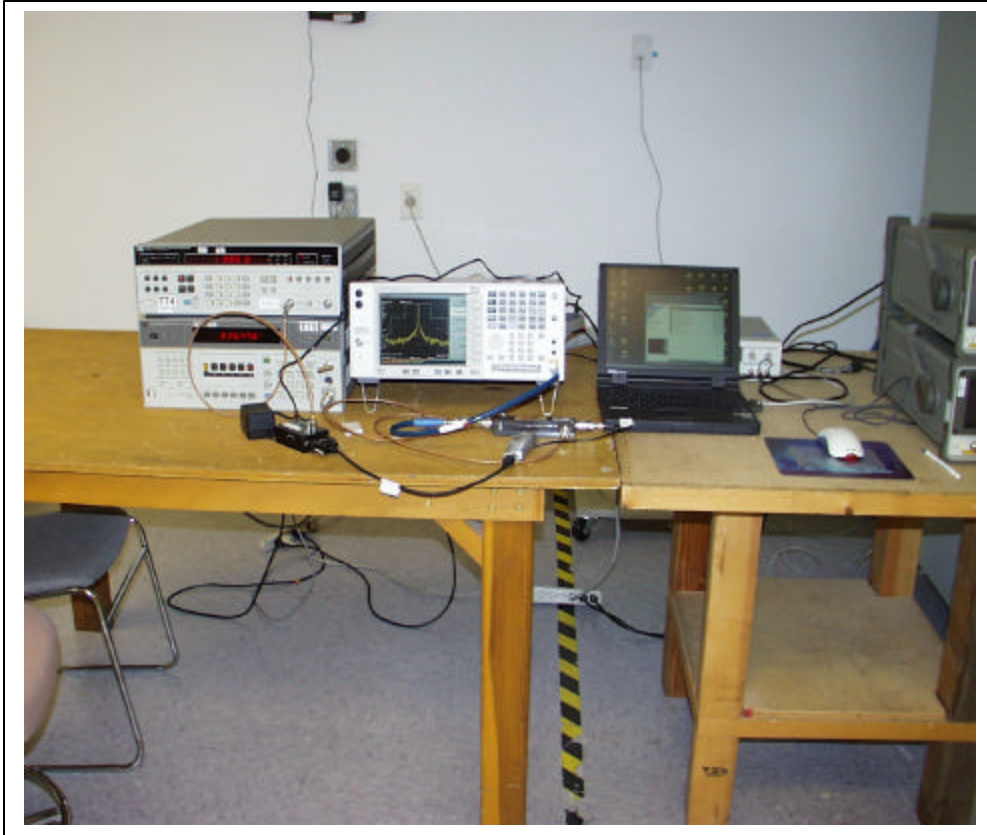


X position:



Substitution:





MEASUREMENT INSTRUMENT

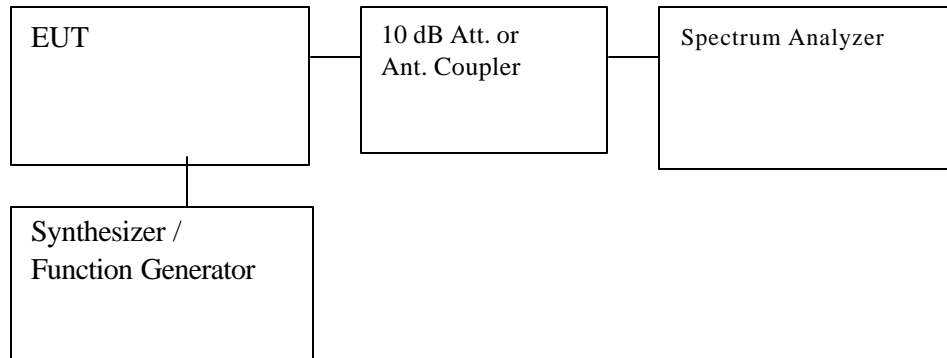
EQUIPMENT	MANUFACTURE	MODEL NO.	CAL. DUE DATE
Spectrum Analyzer	Agilent	E4446A	1/13/04
Modulation Analyzer	HP	8901B	6/23/04
Attenuator	MINI CIRCUITS	MCL BW-S10W2	N/A
Function Generator	HP	3325A	5/8/04

MEASUREMENT RESULT

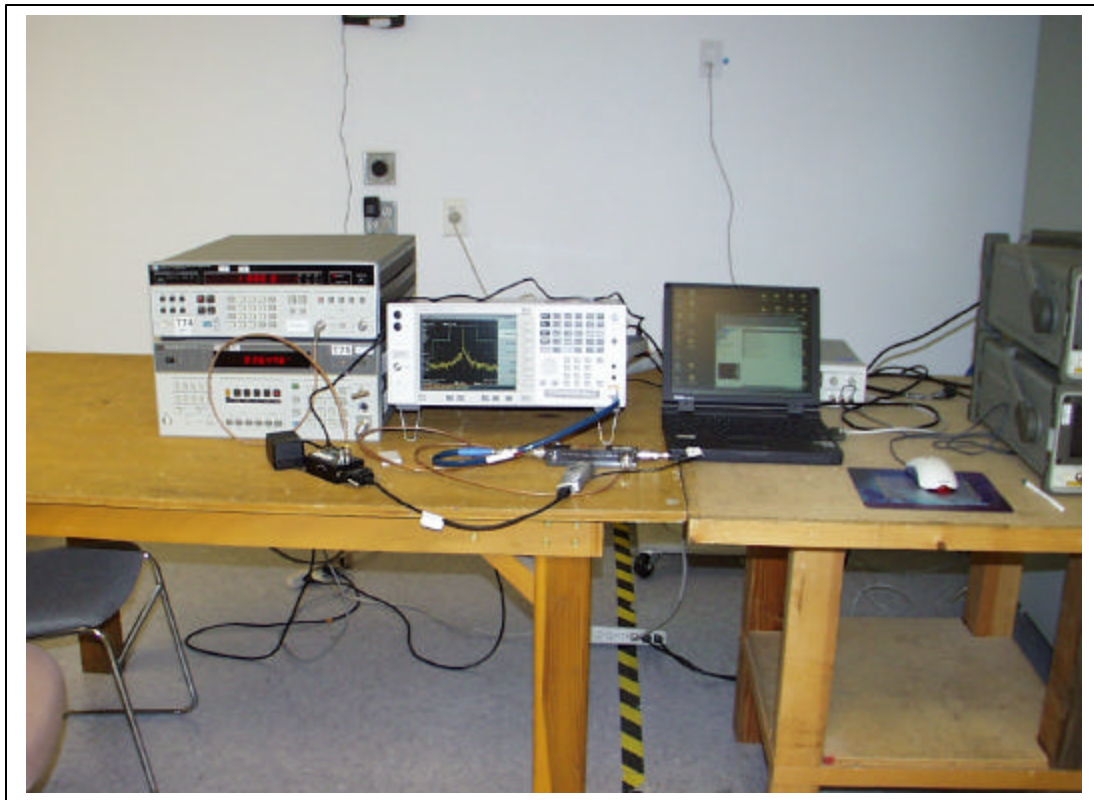
OCCUPIED BANDWIDTH FOR AMPS MODULATION:

PROVISIONS APPLICABLE

According to CFR 47 section 22.917, the authorized bandwidth for emission type of F3E unit is 20 KHz.



Set-up Configuration



7.6. SECTION 2.1055: FREQUENCY STABILITY

INSTRUMENTS LIST

EQUIPMENT	MANUFACTURE	MODEL NO.	CAL. DUE DATE
Spectrum Analyzer	HP	8564E	6/4/04
Environmental Chamber	Thermotron	SE 600-10-10	4/26/04

Detector Function Setting of Test Receiver

Frequency Range (MHz)	Detector Function	Resolution Bandwidth	Video Bandwidth
800-1000	Peak	300 Hz	300 Hz

TEST SETUP

