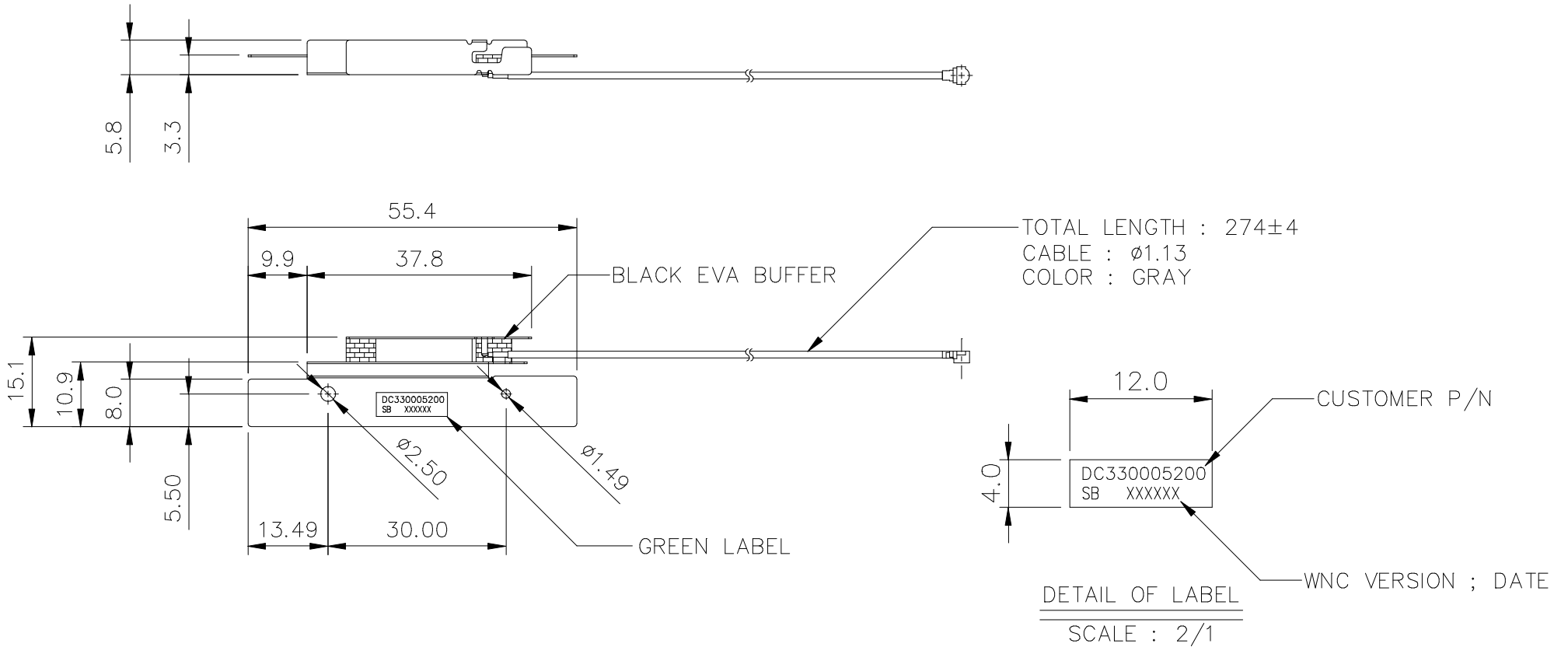




PART NUMBER BLOCK	
PART NUMBER	REV
57.CA615.001	SB

REVISIONS			
REV	DESCRIPTION	DATE	APPROVED
SB	APPROVE SHEET	10/04/02	



		UNLESS OTHERWISE SPECIFIED ALL DIMENSIONS ARE IN mm AND TOLERANCES ARE:				<b>Wistron</b> 啟碁科技股份有限公司	
		INTEGRAL DIMENSIONS		ANGULAR DIMENSIONS		No. 10-1, Li-hsin Road I, Science-based Industrial Park, Hsinchu 300, Taiwan, R.O.C.	
		1 PLACE DECIMAL ± 0.2		HOLES UNDER Ø5.00 ± 0.1		Tel: 886-3-6667799 Fax: 886-3-6667711	
		2 PLACE DECIMALS ± 0.1					
		MATERIAL: NA				DWG TITLE	
		FINISH: NA				OUTLINE, LEFT, CA6-C	
CA6-C		THIRD ANGLE PROJECTION		DRAWN	ARSENE YU	10/04/02	SIZE
NEXT ASSY	USED ON			ENGR	ARSENE YU	10/04/02	DWG NO.
APPLICATION				APVD			C414-57.CA615.001
						SCALE	1/1
						SHEET	1 OF 1
						REV	SB