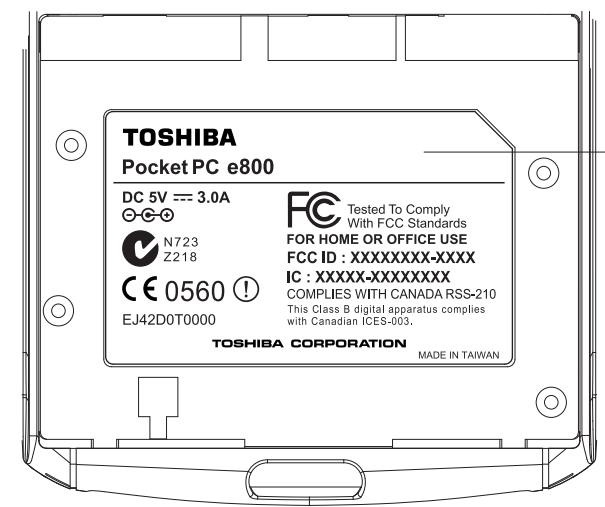
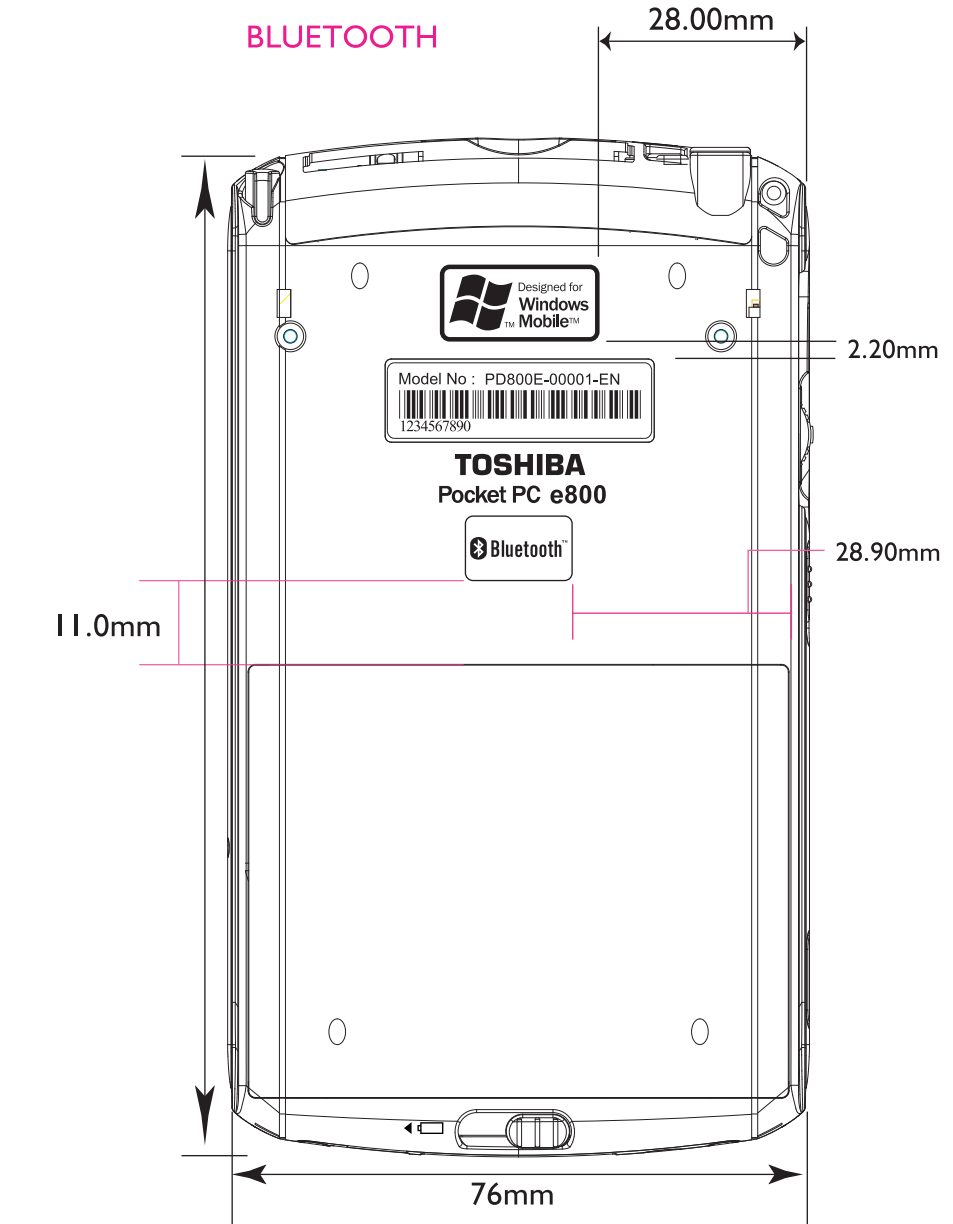
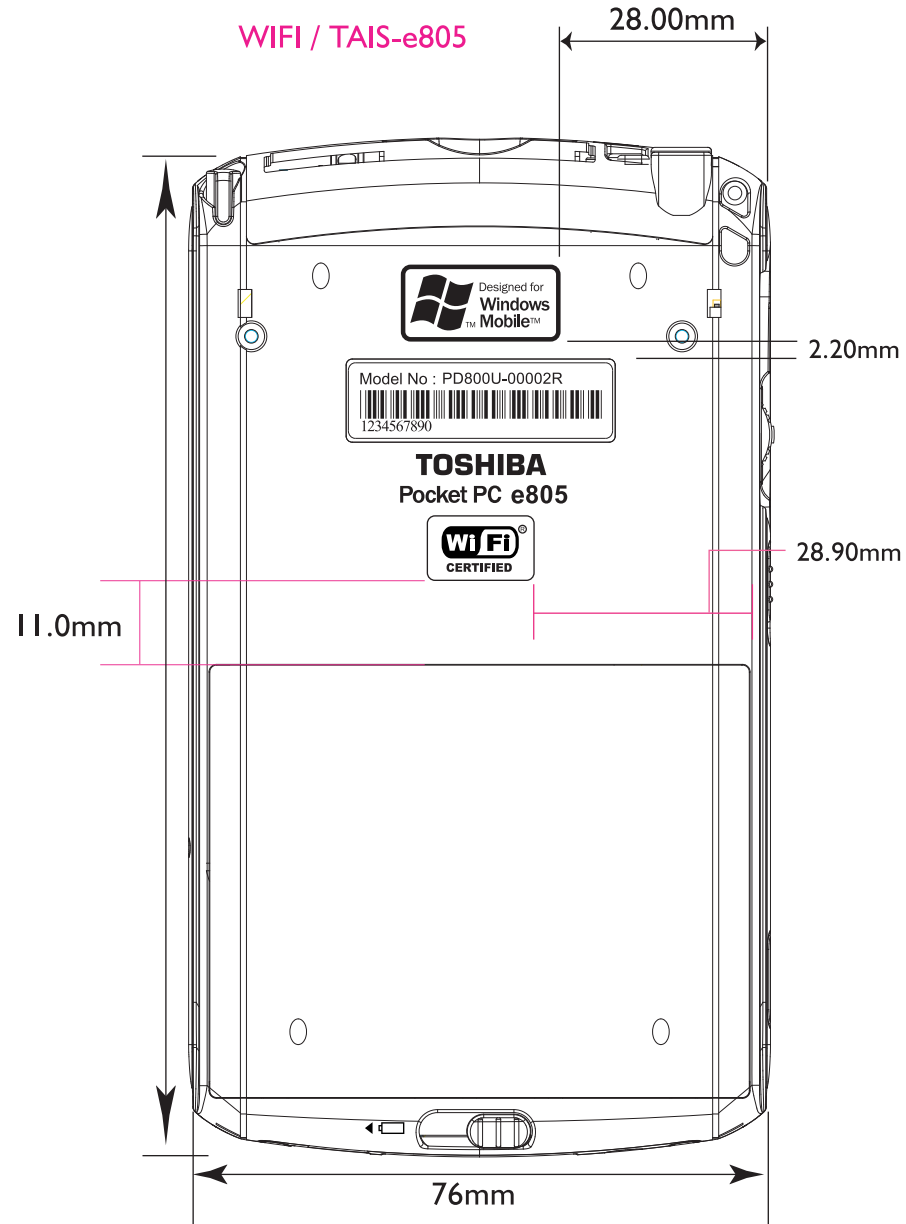
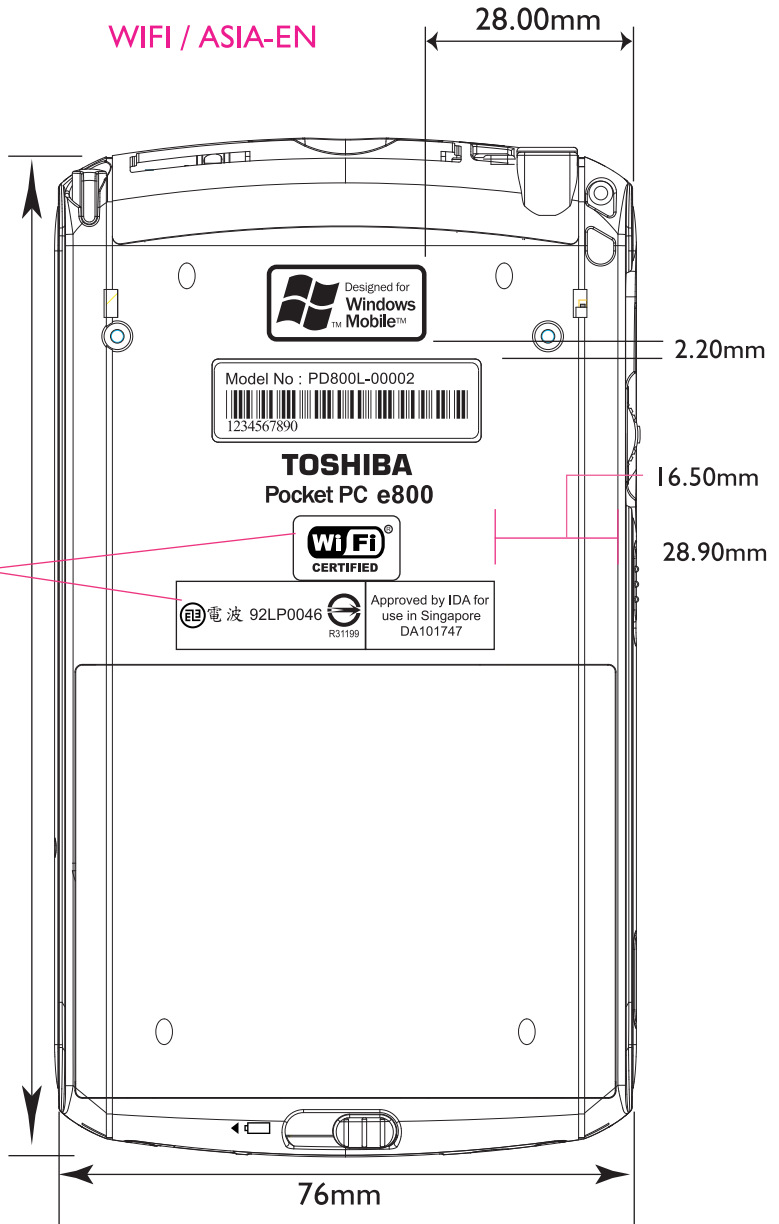


REVISIONS			
REV	DESCRIPTION	SIGNATURE AND DATE	
		CHK	ENGR

WIFI / ASIA-EN

WIFI / TAIS-e805

BLUETOOTH



Use Rating label on low case of battery pack

MODEL : P12			PART NO.			Compal Electronics, Inc. TITLE P12_Rating_PDA Wifi & Bluetooth
SCALE	1:1	UNIT	mm	SIGNATURE	DATE	
TOL.	1 PLC	2 PLC	ANGLE	DRN BY. Rachel Wu	0916	
MATERIAL:				CHK BY. DL/DM		
FINISH:				PRJ ENGP		
				ENGR APPO		
				SIZE A3	SHEET OF 1	DRAWING NO.
						REV 06

THIS SHEET OF ENGINEERING DRAWING IS THE PROPRIETARY PROPERTY OF COMPAL ELECTRONICS, INC. AND CONTAINS CONFIDENTIAL AND TRADE SECRET INFORMATION. THIS SHEET MAY NOT BE TRANSFERRED FROM THE CUSTODY OF THE COMPETENT DIVISION OF R&D DEPARTMENT EXCEPT AS AUTHORIZED BY COMPAL ELECTRONICS, INC. NEITHER THIS SHEET NOR THE INFORMATION IT CONTAINS MAY BE USED BY OR DISCLOSED TO ANY THIRD PARTY WITHOUT PRIOR WRITTEN OF COMPAL ELECTRONICS, INC.